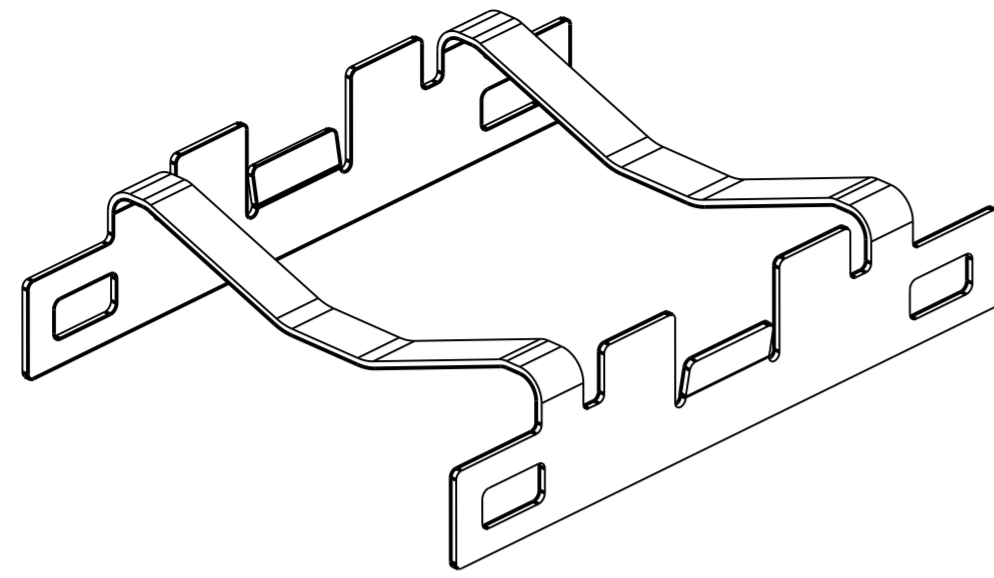
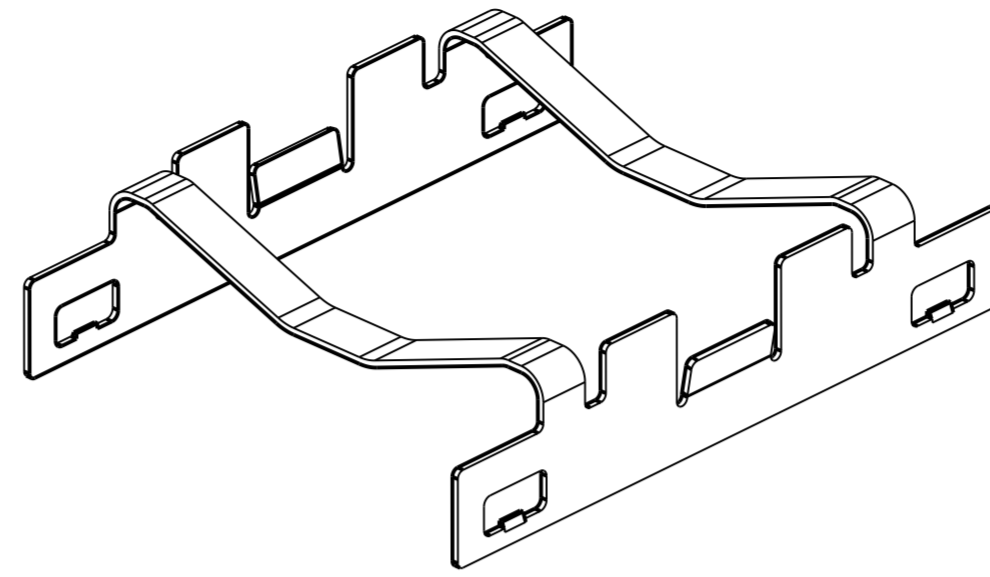


THIS DRAWING IS UNPUBLISHED. RELEASED FOR PUBLICATION 20
 © COPYRIGHT 20 BY - ALL RIGHTS RESERVED.

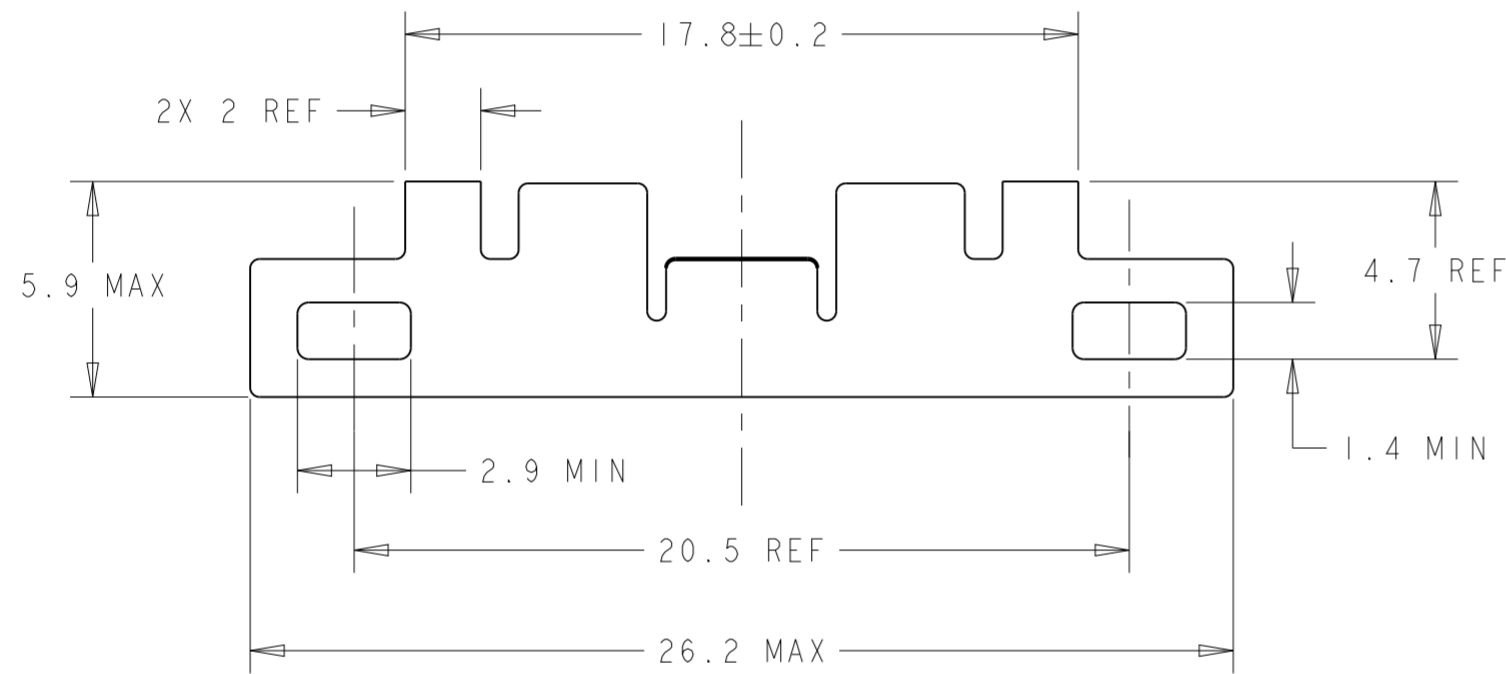
REVISIONS				
P	LTR	DESCRIPTION	DATE	APVD
	A1	ADD NEW PN	27NOV2013	JY



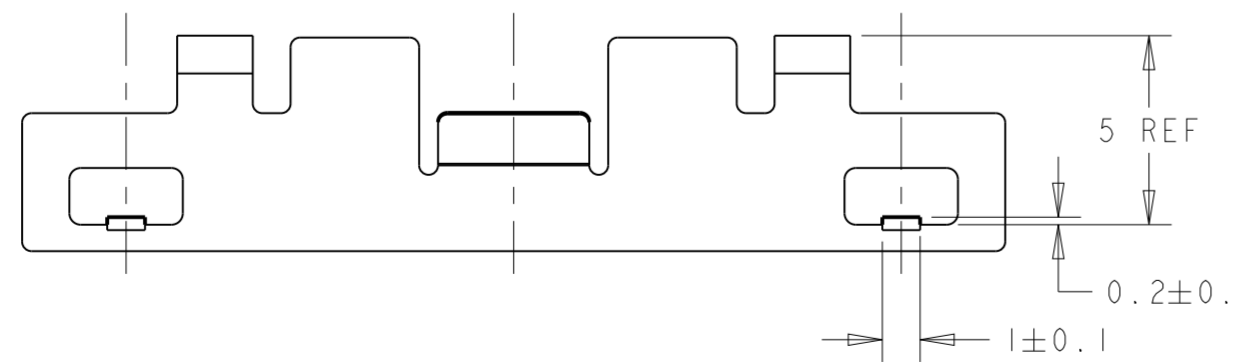
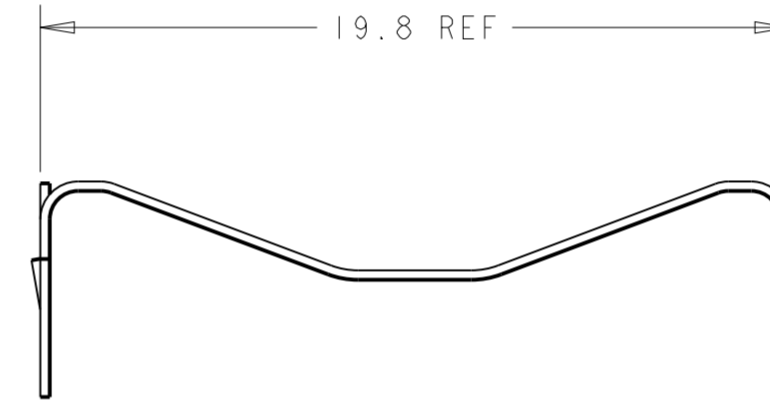
2007304-1
SCALE 4:1



2007304-5
SCALE 4:1



2007304-1 AS SHOWN
SCALE 5:1



2007304-5
UNSPECIFIED SPEC PER 2007304-1
SCALE 5:1

2007304-5
2007304-1
PART
NUMBER

THIS DRAWING IS A CONTROLLED DOCUMENT.		DWN C VALENTINE 23SEP2008	TE Connectivity PRELIMINARY	
DIMENSIONS: mm		CHK E BRIGHT 23SEP2008	NAME OSFP HEAT SINK CLIP	
TOLERANCES UNLESS OTHERWISE SPECIFIED: 0 PLC ± 1 PLC ±0.3 2 PLC ±0.1 3 PLC ±0.001 4 PLC ±0.0001 ANGLES ± FINISH		APVD E BRIGHT 23SEP2008	PRODUCT SPEC 108-2286	
MATERIAL		APPLICATION SPEC 114-13218	RESTRICTED TO	
		WEIGHT	SIZE A200779	CAGE CODE C-2007304
		Customer Drawing	SCALE 2:1	SHEET OF REV A1