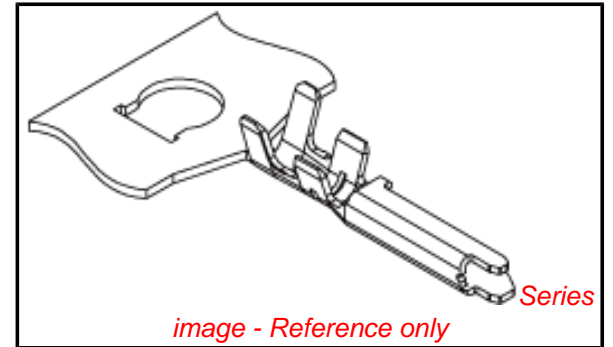


**PLEASE CHECK WWW.MOLEX.COM FOR LATEST PART INFORMATION**

**Part Number:** **502438-0100**  
**Status:** **Active**  
**Overview:** CLIK-Mate™ Wire-to-Board Connectors  
**Description:** 2.00mm Pitch CLIK-Mate™ Wire-to-Board Crimp Terminal, Loose

**Documents:**

<a href="#">3D Model</a>	<a href="#">Application Specification AS-502439-002 (PDF)</a>
<a href="#">Drawing (PDF)</a>	<a href="#">Packaging Specification SPK-502438-001 (PDF)</a>
<a href="#">Application Specification AS-502439-001 (PDF)</a>	<a href="#">RoHS Certificate of Compliance (PDF)</a>



**General**

Product Family	Crimp Terminals
Series	502438
Application	Signal
Crimp Quality Equipment	Yes
MolexKits	Yes
Overview	<a href="#">CLIK-Mate™ Wire-to-Board Connectors</a>
Packaging Alternative	502438-0000 (Reel)
Product Name	CLIK-Mate™
UPC	800756665917

**Physical**

Durability (mating cycles max)	30
Gender	Plug
Material - Metal	Copper Alloy
Material - Plating Mating	Tin
Material - Plating Termination	Tin
Net Weight	41.500/mg
Packaging Type	Bag
Wire Insulation Diameter	0.90-1.5mm
Wire Size AWG	22, 24, 26
Wire Size mm²	N/A

**Electrical**

Current - Maximum per Contact	3A
Voltage - Maximum	250V AC (RMS)/DC

**Material Info**

**Reference - Drawing Numbers**

Application Specification	AS-502439-001, AS-502439-002
Packaging Specification	SPK-502438-001
Product Specification	RPS-502443-001, RPS-502443-004, RPS-502443-008, RPS-502443-011, RPS-502443-012
Sales Drawing	SD-502438-001

**EU RoHS**  
**ELV and RoHS**  
**Compliant**  
**REACH SVHC**  
**Contains SVHC: No**  
**Low-Halogen Status**  
**Low-Halogen**

**China RoHS**



**Need more information on product environmental compliance?**

Email [productcompliance@molex.com](mailto:productcompliance@molex.com)  
 For a multiple part number RoHS Certificate of Compliance, [click here](#)

Please visit the [Contact Us](#) section for any non-product compliance questions.

**Search Parts in this Series**

502438Series

**Mates With**

502443 PCB Receptacle, 502494 PCB Receptacle

**Use With**

502439 Crimp Housing

**Application Tooling | FAQ**

*Tooling specifications and manuals are found by selecting the products below. Crimp Height Specifications are then contained in the Application Tooling Specification document.*

**Global**

Description	Product #
Hand Crimp Tool for 2.00mm Pitch Wire-to-Board Crimp Terminals, 22-26 AWG Wire	0638192800
Extraction Tool	0638132700

This document was generated on 10/08/2014

**PLEASE CHECK [WWW.MOLEX.COM](http://WWW.MOLEX.COM) FOR LATEST PART INFORMATION**