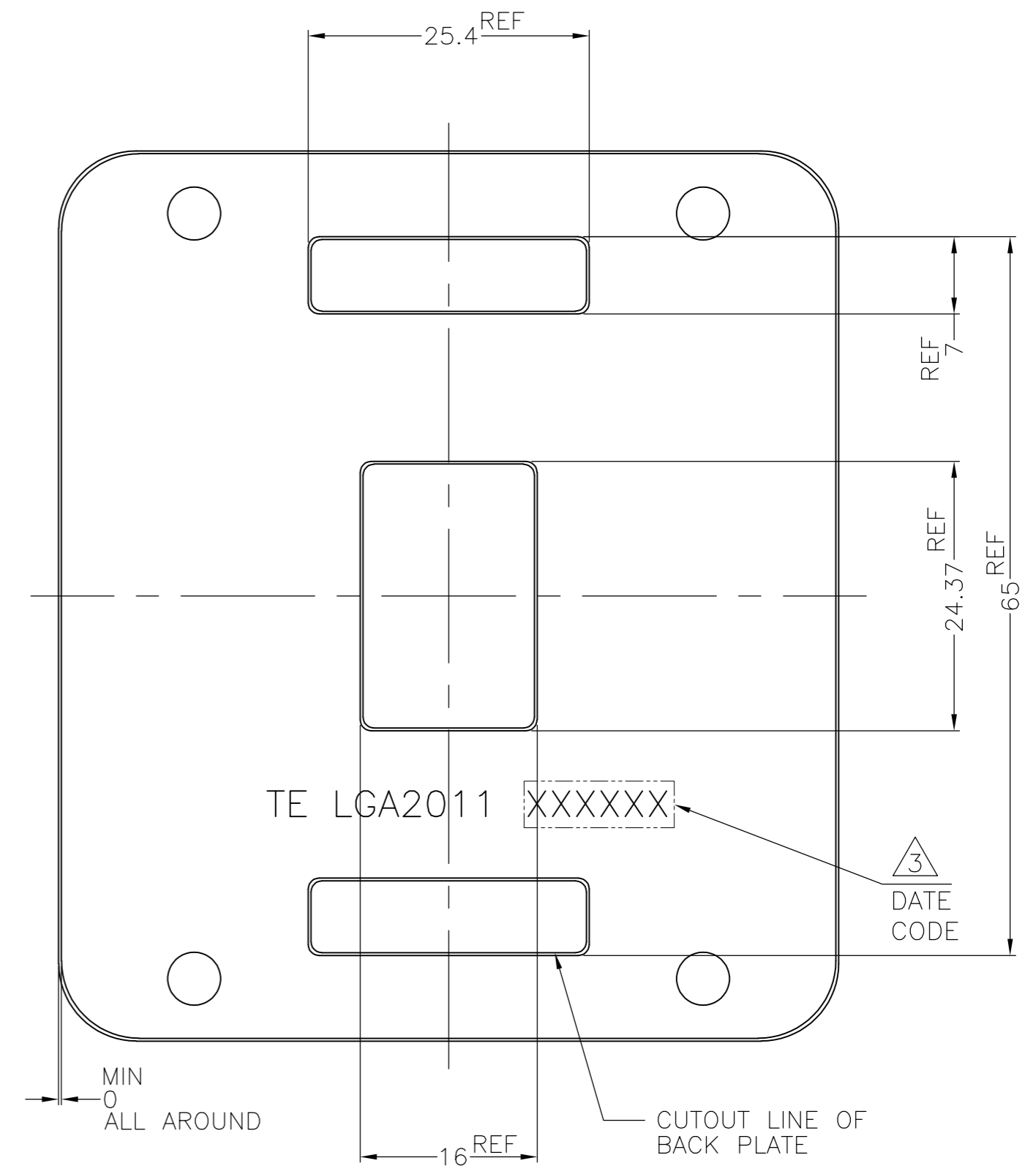
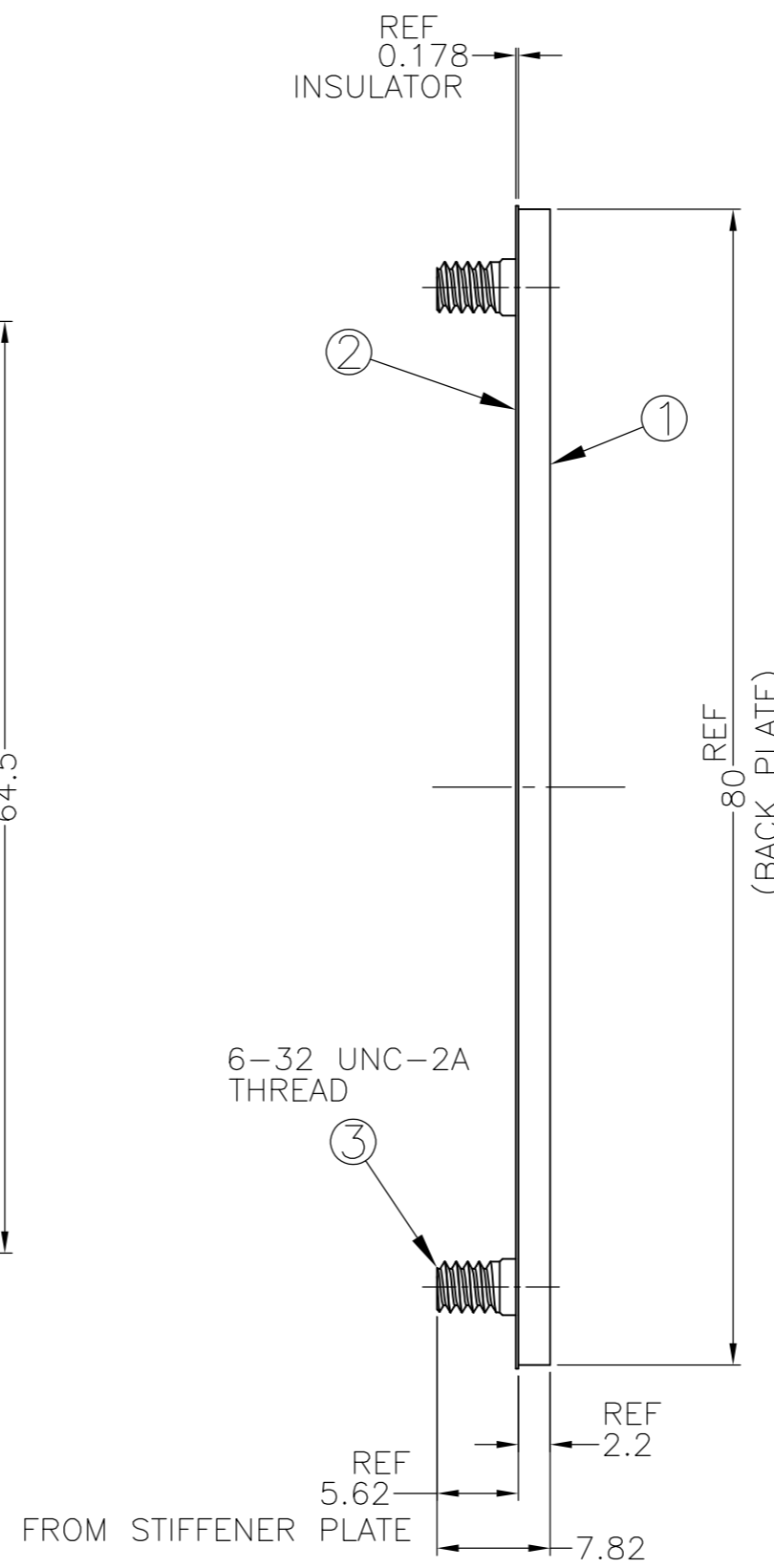
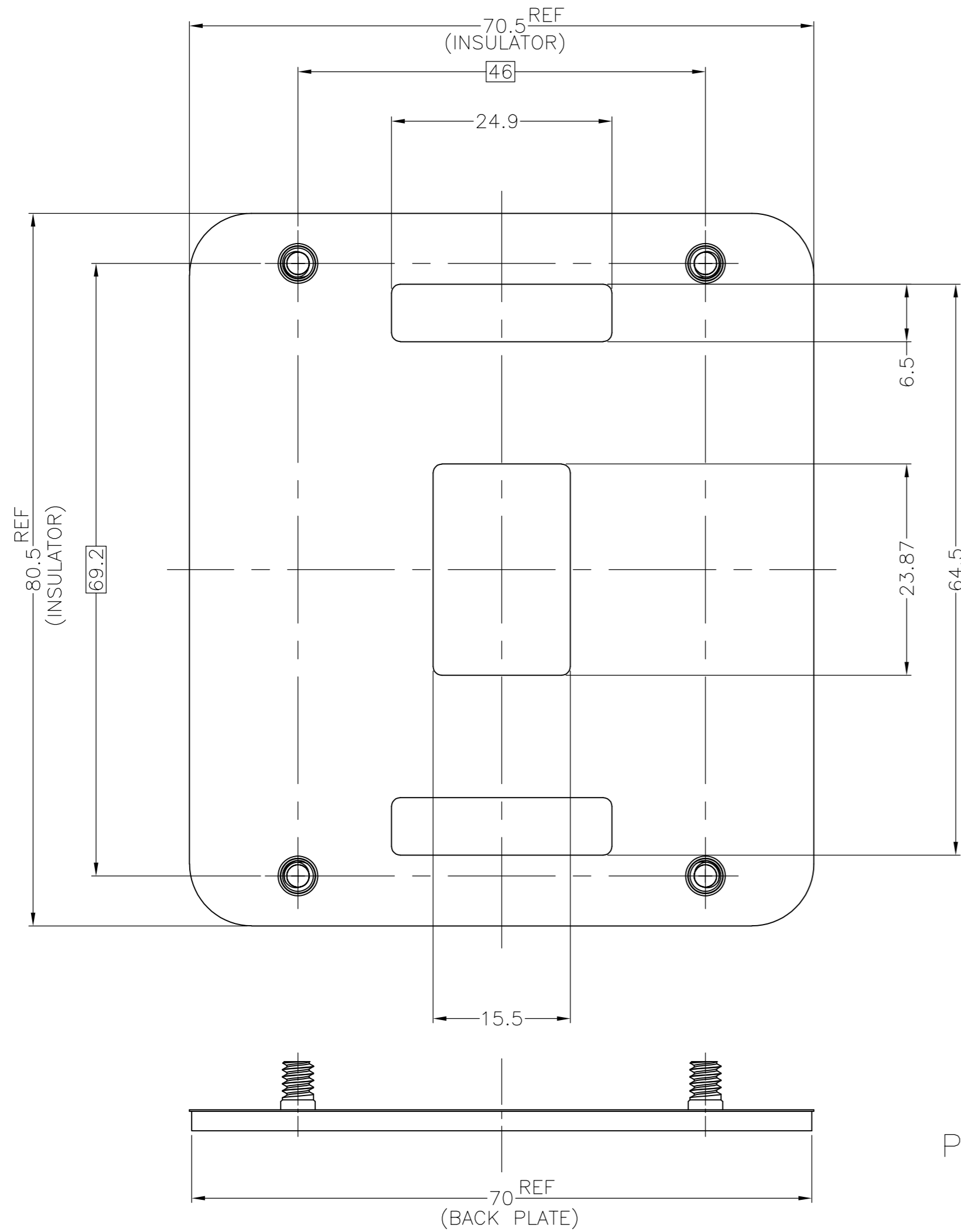


THIS DRAWING IS UNPUBLISHED. RELEASED FOR PUBLICATION APR , 2011.
 © COPYRIGHT 2011 By Tyco Electronics Japan G.K. ALL RIGHTS RESERVED.

LOC		DIST		REVISIONS				
J	-	P	LTR	変更	DESCRIPTION	DATE	DWN	APVD
		D	REVISED			20JUL'12	J.C	T.N



P/N: 2134440-1 AS SHOWN

NOTE(APPLIED TO SHEET 1 OF 4, 3 OF 4 AND 4 OF 4):

1. MATERIAL:

- ① BACK PLATE: STEEL, FINISH: NI PLATING
- ② INSULATOR: POLYCARBONATE FILM PLUS ACRYLIC ADHESIVE LAYER
- ③ STUD: STEEL, FINISH: NI PLATING

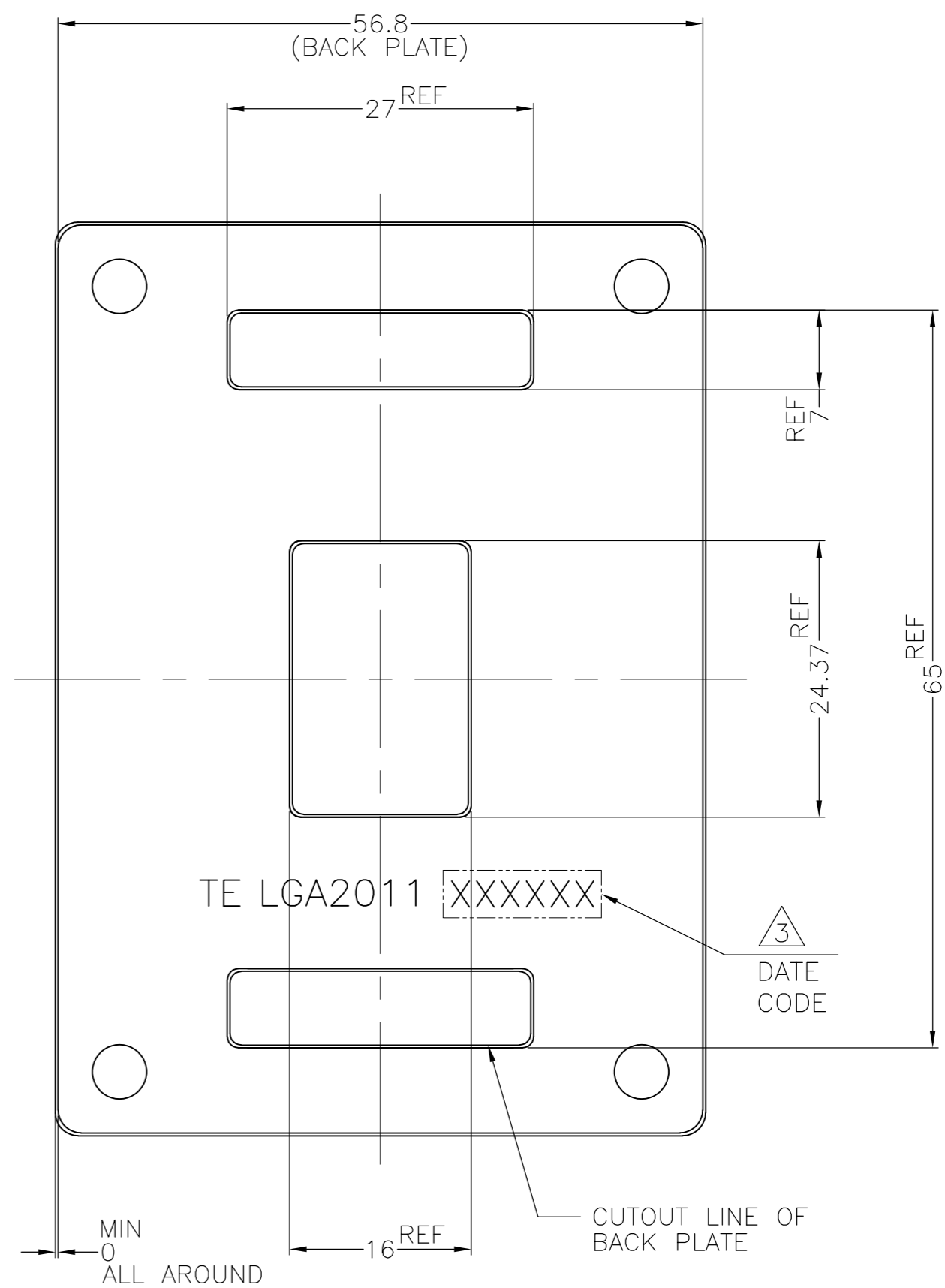
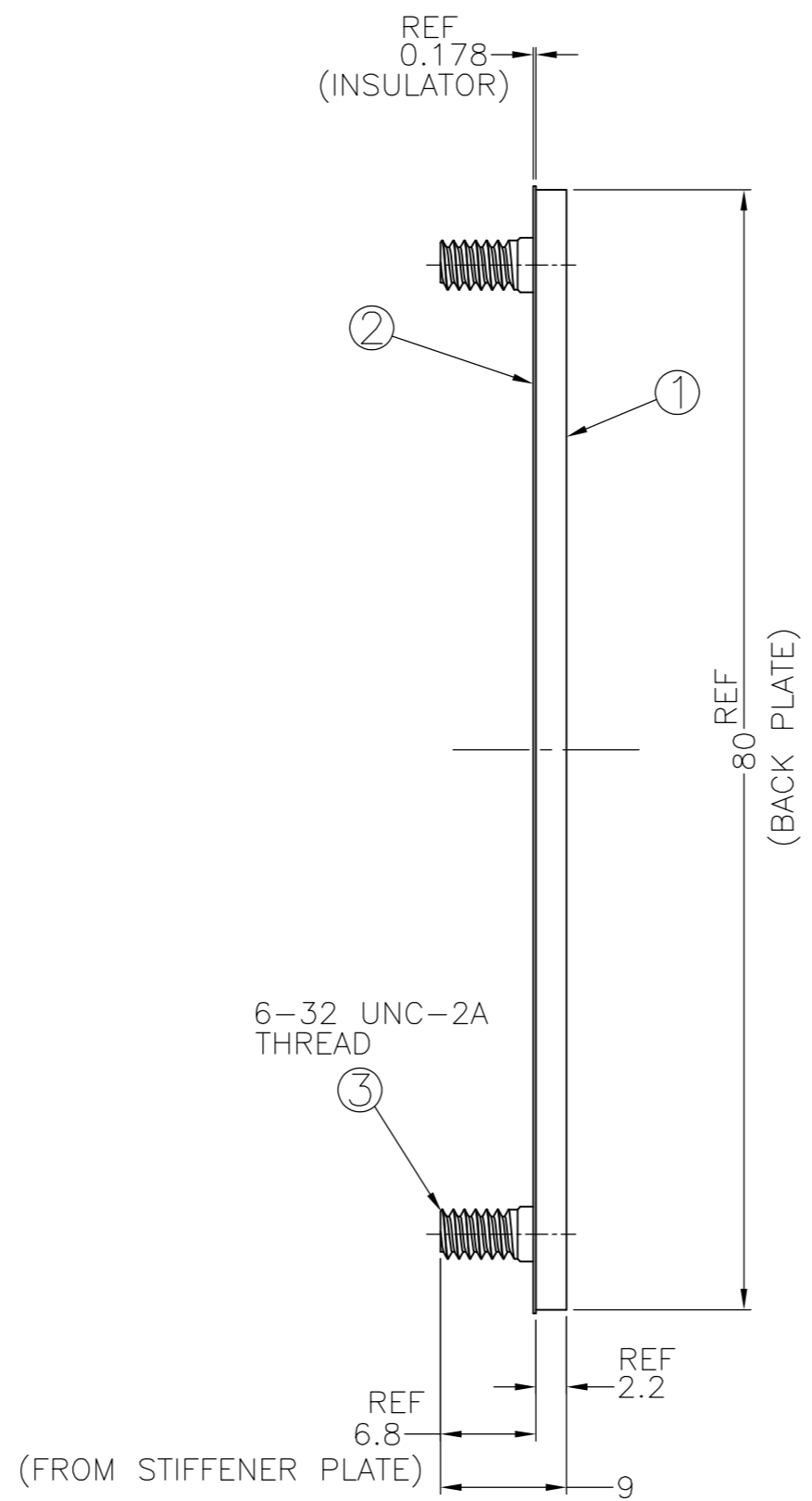
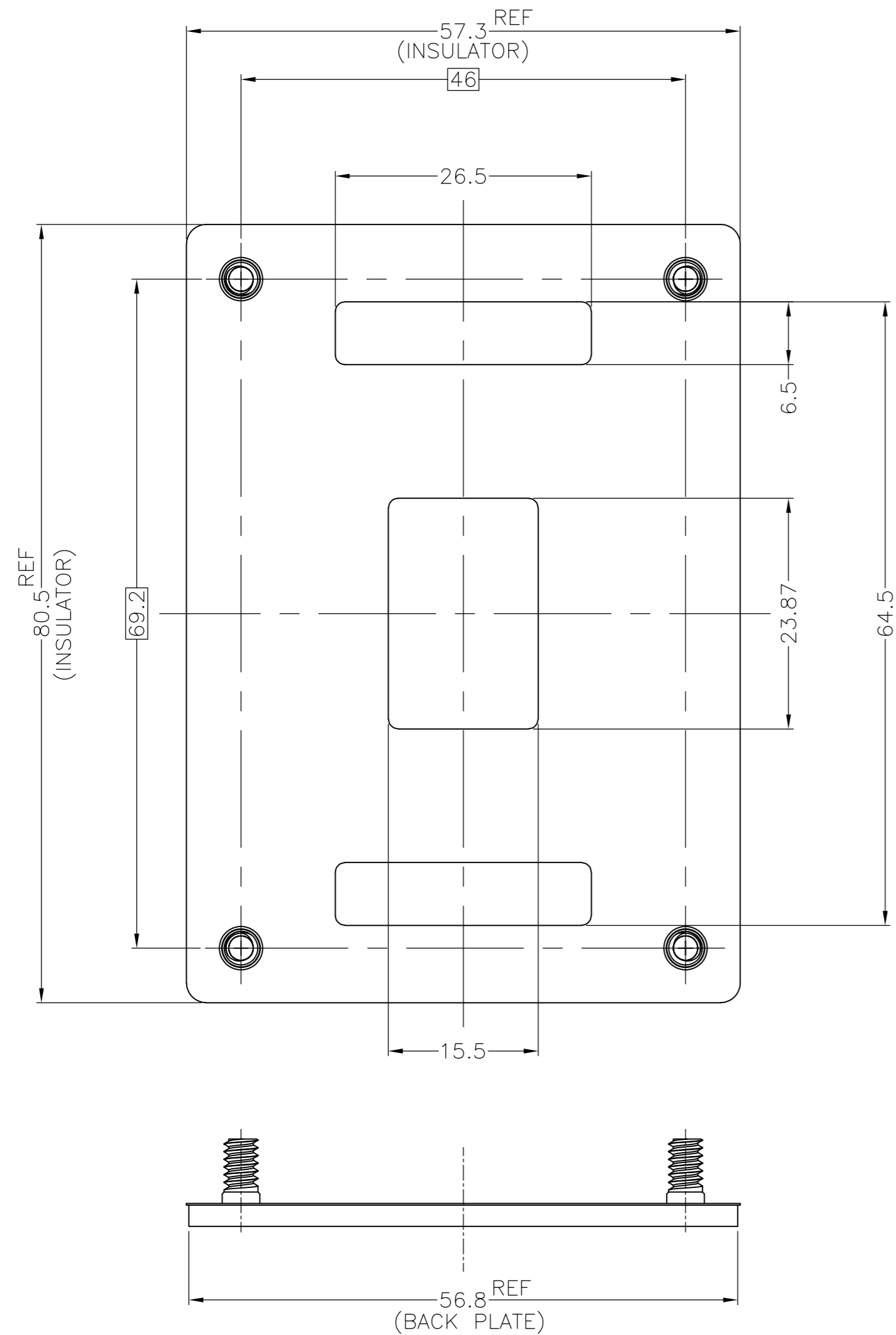
2. ASSEMBLED WITH ILM ASSEMBLY P/N: 2134439 SERIES

③ INDICATED DATE CODE ON THE BACK PLATE

84.9	Ni PLATING	2134440-5
84.7	Ni PLATING	2134440-4
67.5	Ni PLATING	2134440-3
84.7	Ni PLATING	2134440-1
WEIGHT(g)	FINISH	PART NO.

THIS DRAWING IS A CONTROLLED DOCUMENT.		DWN	16NOV2010	TE Connectivity	
DIMENSIONS: 単位: 寸 mm		CHK	16NOV2010	BACK PLATE ASSY LGA2011	
TOLERANCES UNLESS OTHERWISE SPECIFIED: 一般公差		APVD	16NOV2010	DRAWING NO. 番号 C=2134440	
6-PLC ± ± ± 0.3		NAME 名称		RESTRICTED TO	
1-PLC ± ± ± 3'		PRODUCT SPEC		SCALE 2:1	
2-PLC ± ± ±		APPLICATION SPEC		SHEET 1 OF 4	
3-PLC ± ± ±		取付適用規格		REV D	
4-PLC ± ± ±		114-5474			
FINISH 仕上		WEIGHT SEE TABLE			
MATERIAL 材料		CUSTOMER DRAWING			

LOC		DIST		REVISIONS				
J	-	P	LTR	変更	DESCRIPTION	DATE	DWN	APVD
				-	SEE SHEET 1	-	-	-



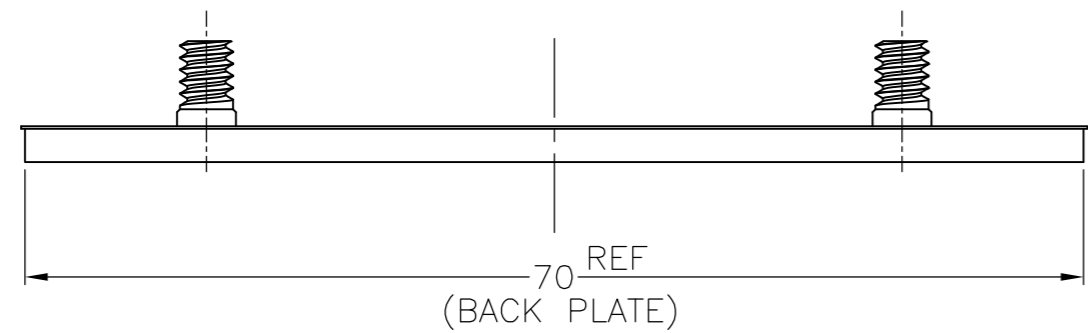
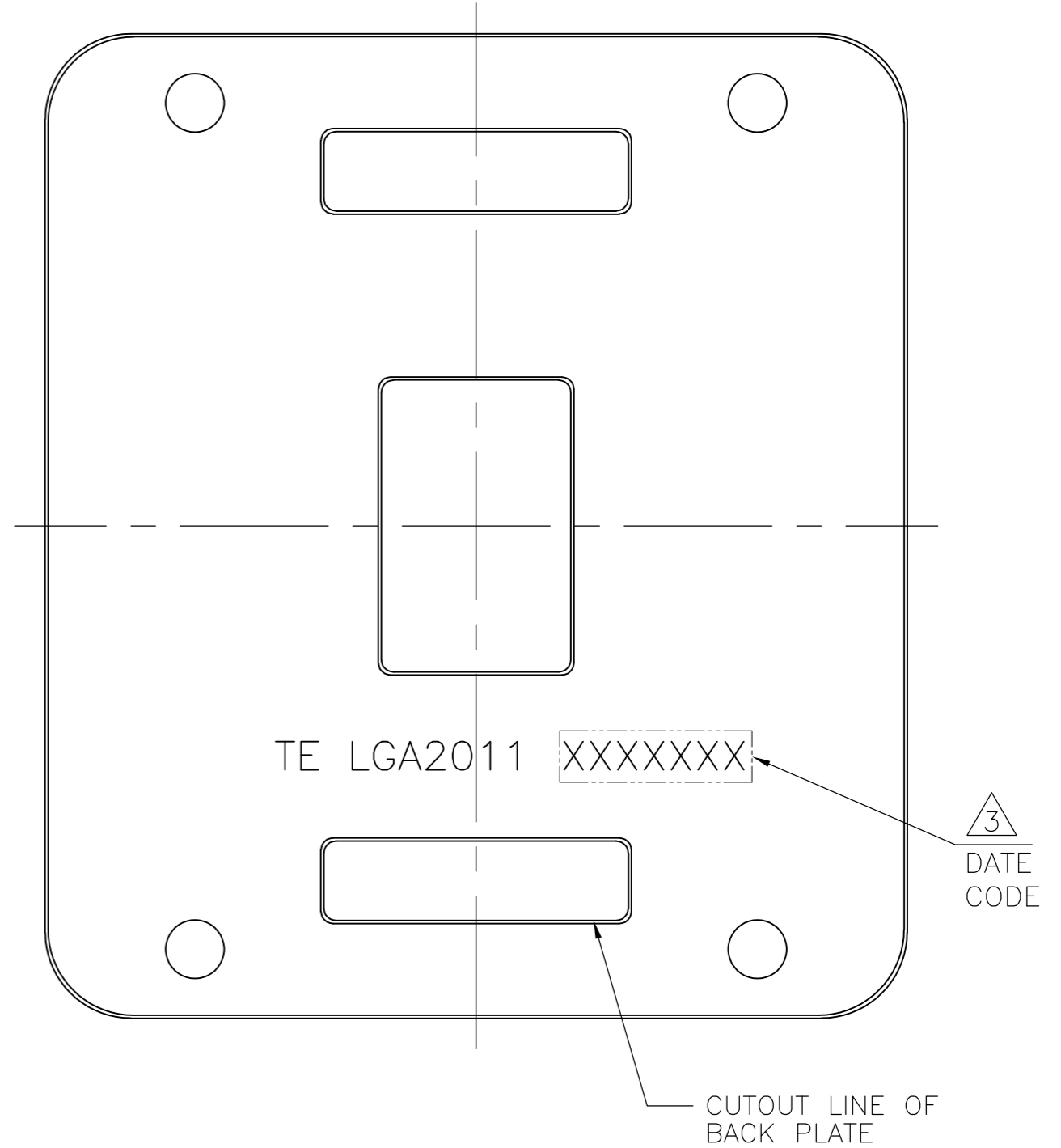
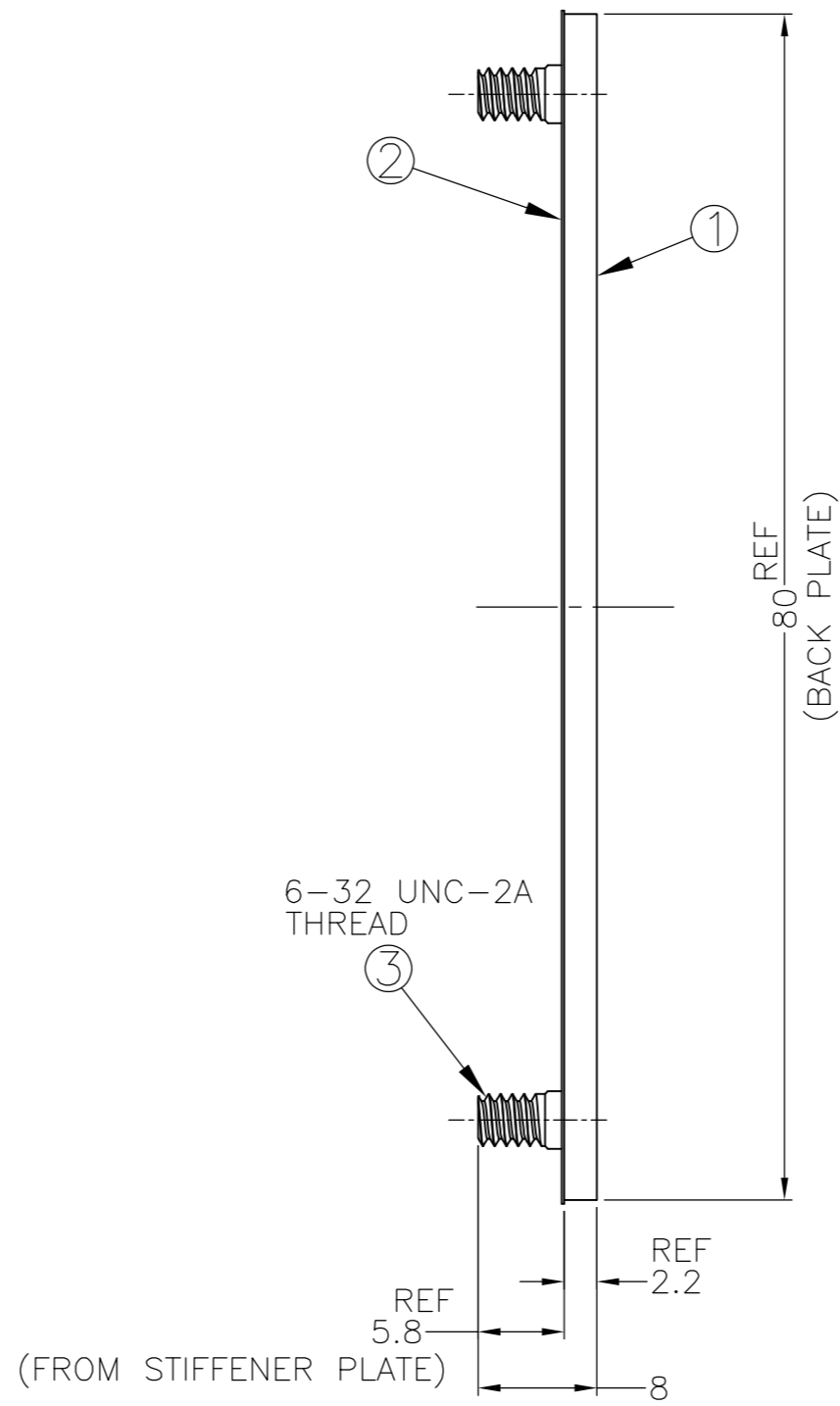
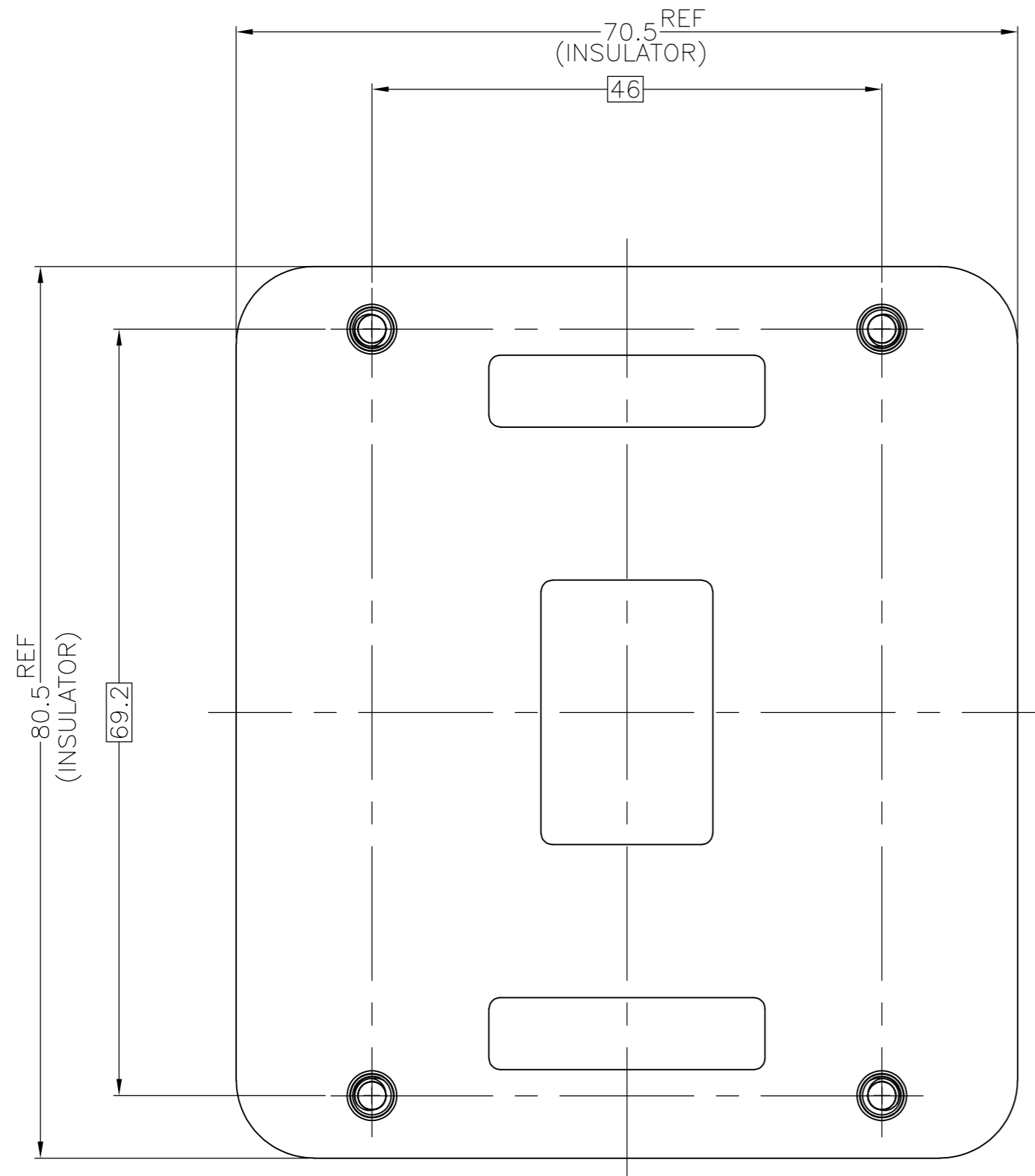
P/N: 2134440-3 AS SHOWN

- NOTE(APPLIED TO SHEET 2 OF 4):
- MATERIAL:
 - ① BACK PLATE: STEEL, FINISH: NI PLATING
 - ② INSULATOR: POLYCARBONATE FILM PLUS ACRYLIC ADHESIVE LAYER
 - ③ STUD: STEEL, FINISH: NI PLATING
 - ASSEMBLED WITH ILM ASSEMBLY P/N: 2134439 SERIES
 - INDICATED DATE CODE ON THE BACK PLATE
 - APPLICABLE PCB THICKNESS: 2.86~3.58mm

THIS DRAWING IS A CONTROLLED DOCUMENT.		DWN	-	TE Connectivity NAME BACK PLATE ASSY LGA2011	
DIMENSIONS: 単位: 寸 mm		CHK	-		
TOLERANCES UNLESS OTHERWISE SPECIFIED: 一般公差		APVD	-	SIZE	A2
0-PLC ± ± ± 0.3 1-PLC ± ± ± 0.3 2-PLC ± ± ± 0.3 3-PLC ± ± ± 0.3 4-PLC ± ± ± 0.3 ANGLES 仕上		PRODUCT SPEC	-	CAGE CODE	00779
MATERIAL 材料		APPLICATION SPEC	-	DRAWING NO	C=2134440
FINISH 仕上		WEIGHT	SEE TABLE	RESTRICTED TO	-
		CUSTOMER DRAWING		SCALE	2:1
				SHEET	2 of 4
				REV	D

THIS DRAWING IS UNPUBLISHED. RELEASED FOR PUBLICATION APR , 2011.
 © COPYRIGHT 2011 By Tyco Electronics Japan G.K. ALL RIGHTS RESERVED.

LOC		DIST		REVISIONS				DATE	DWN	APVD
P	LTR	DESCRIPTION								
J	-	-								
		SEE SHEET 1								



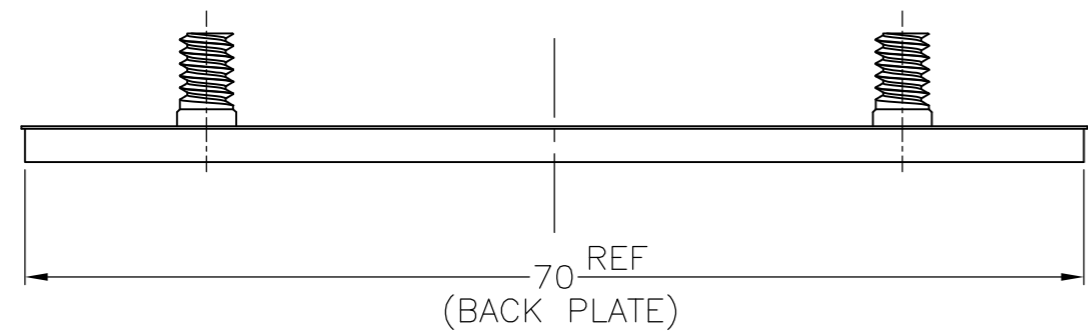
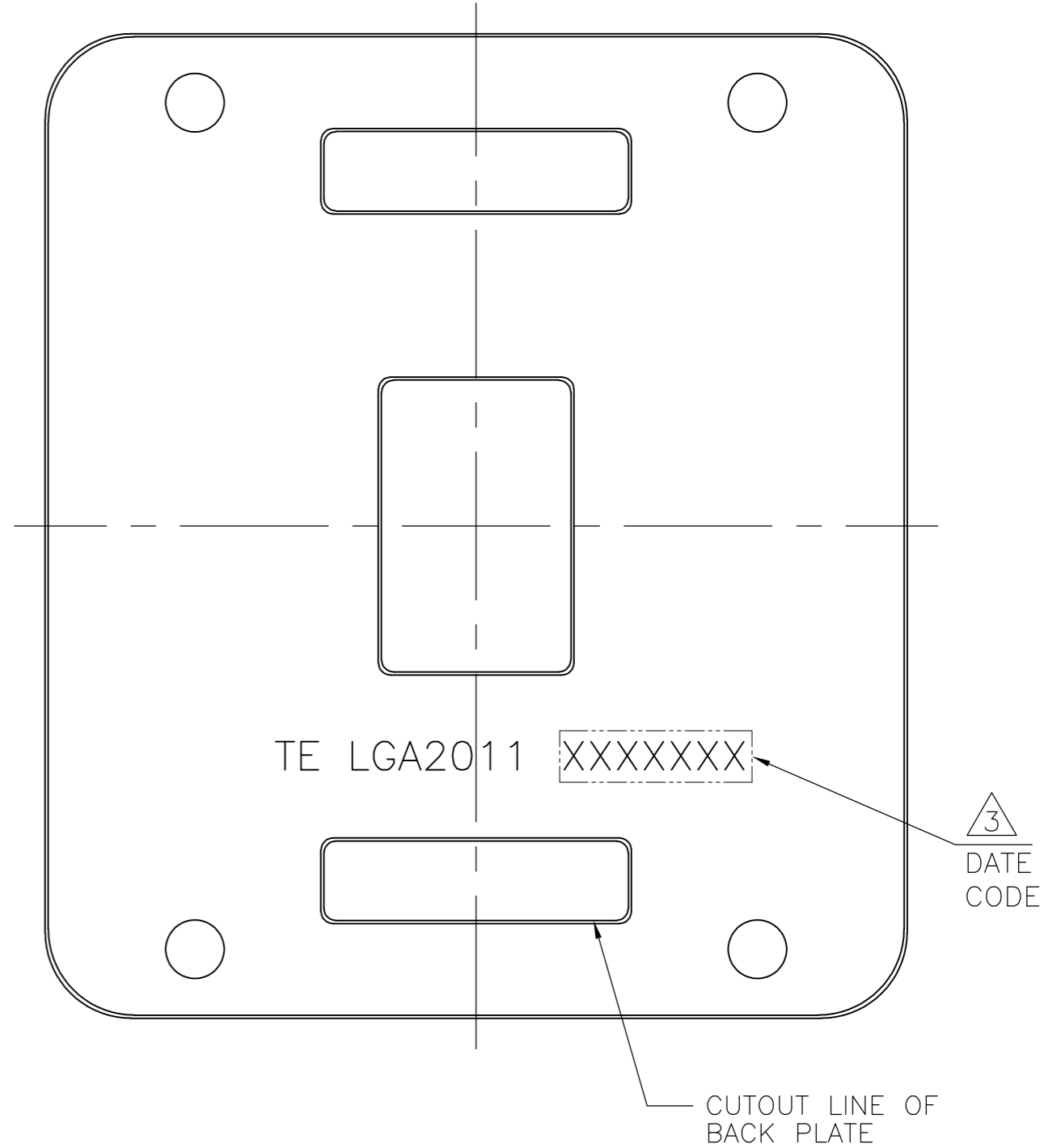
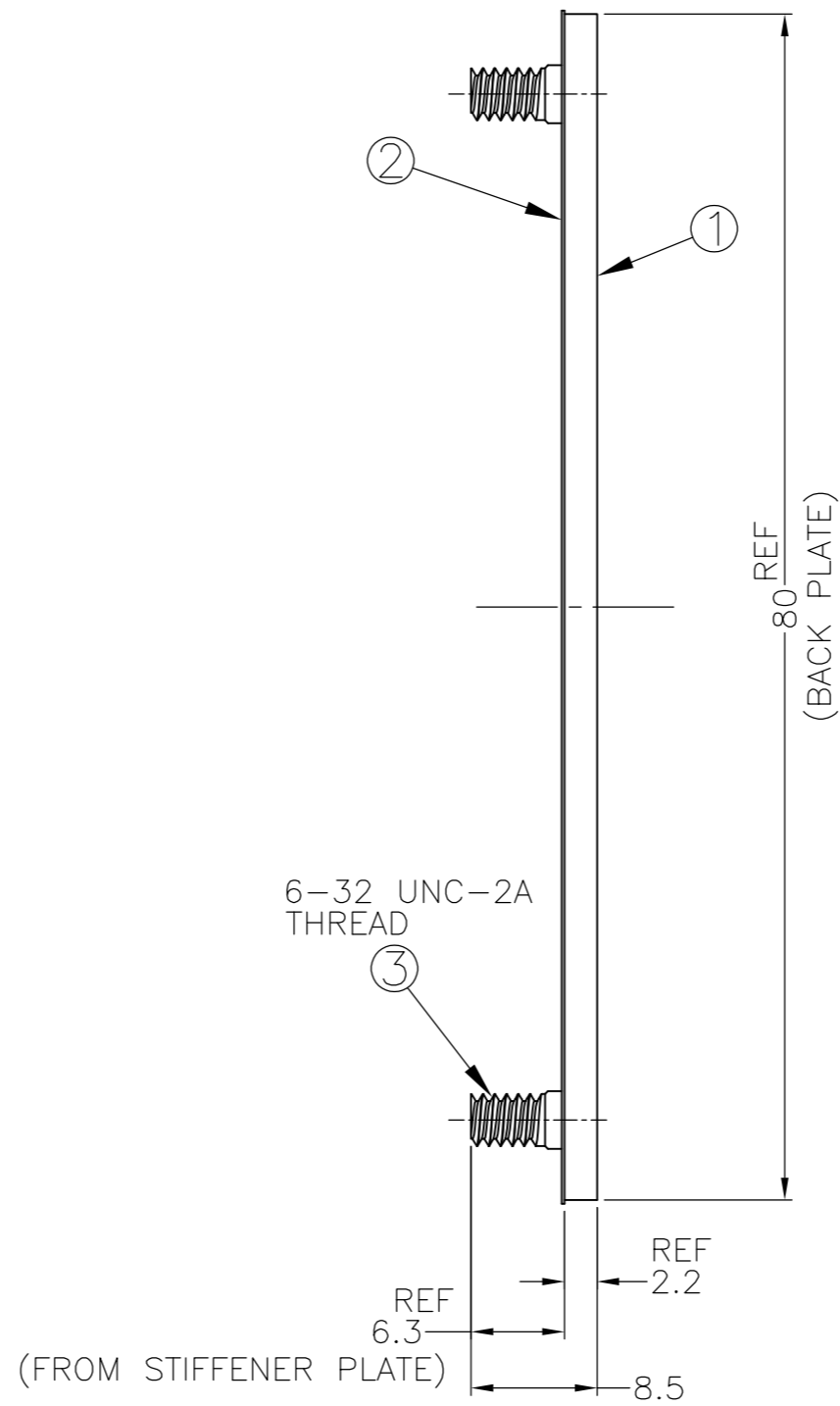
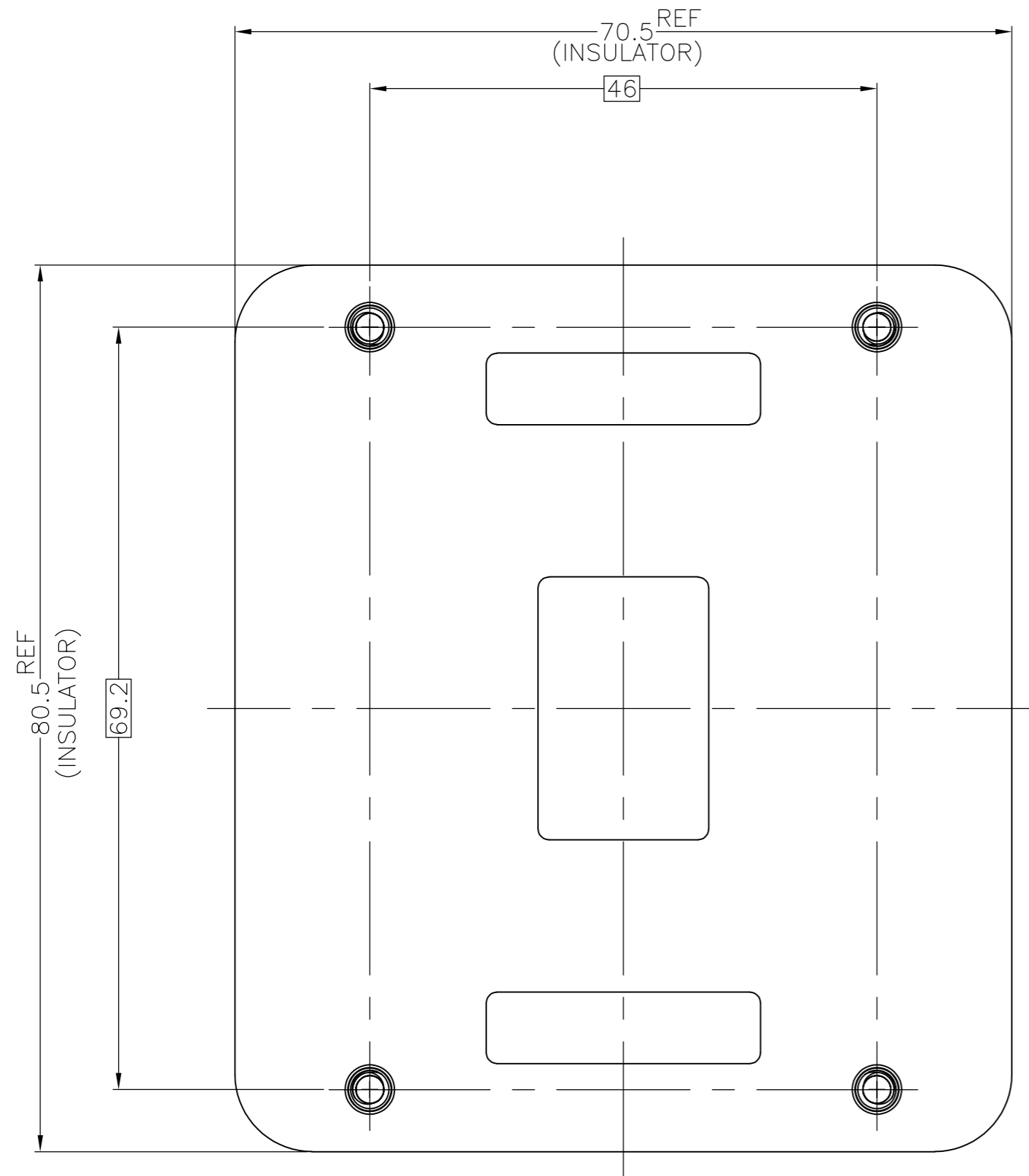
2134440-4 AS SHOWN
 UNLESS SPECIFIED
 DIMENSION ARE SAME WITH -1

THIS DRAWING IS A CONTROLLED DOCUMENT.		DWN	-	STE TE Connectivity	
DIMENSIONS: 単位: 寸 mm		CHK	-		
TOLERANCES UNLESS OTHERWISE SPECIFIED: 一般公差		APVD	-	NAME 名称	
6-PLC ± ± 0.3		PRODUCT SPEC 製品規格		BACK PLATE ASSY	
1-PLC ± ± 0.3		APPLICATION SPEC 取付適用規格		LGA2011	
2-PLC ± ± 3°		SIZE	A2	CAGE CODE	00779
3-PLC ± ±		DRAWING NO 番号	C=2134440		RESTRICTED TO
4-PLC ± ±		WEIGHT	SEE TABLE		-
FINISH 仕上		CUSTOMER DRAWING		SCALE 尺度	2:1
MATERIAL 材料		SHEET		3 OF 4	
		REV		D	

2134440

THIS DRAWING IS UNPUBLISHED. RELEASED FOR PUBLICATION APR , 2011.
 © COPYRIGHT 2011 By Tyco Electronics Japan G.K. ALL RIGHTS RESERVED.

LOC	DIST	REVISIONS					
J	-	P	LTR	DESCRIPTION	DATE	DWN	APVD
		-	-	SEE SHEET 1	-	-	-



2134440-5 AS SHOWN
 UNLESS SPECIFIED
 DIMENSION ARE SAME WITH -1

THIS DRAWING IS A CONTROLLED DOCUMENT.		DWN	-	TE Connectivity NAME BACK PLATE ASSY LGA2011	
DIMENSIONS: 単位: 寸 mm		CHK	-		
TOLERANCES UNLESS OTHERWISE SPECIFIED: 一般公差		APVD	-	SIZE	A2
0-PLC ± ± ± 0.3 1-PLC ± ± ± 2-PLC ± ± ± 3° 3-PLC ± ± ± 4-PLC ± ± ± ANGLES ± ± ±		PRODUCT SPEC	-	CAGE CODE	00779
MATERIAL 材料		APPLICATION SPEC	-	DRAWING NO	C=2134440
FINISH 仕上		WEIGHT	SEE TABLE	RESTRICTED TO	-
		CUSTOMER DRAWING		SCALE	2:1
				SHEET	4 OF 4
				REV	D

2134440