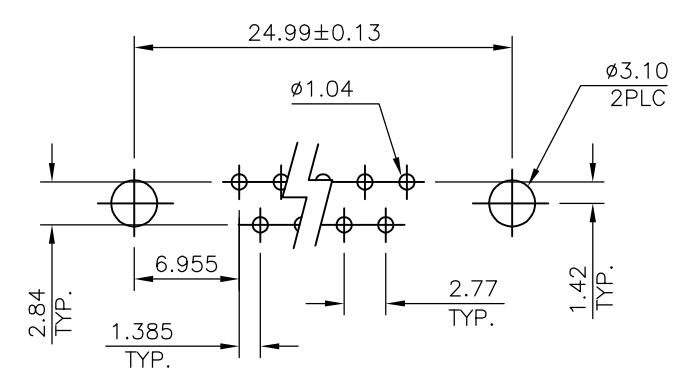
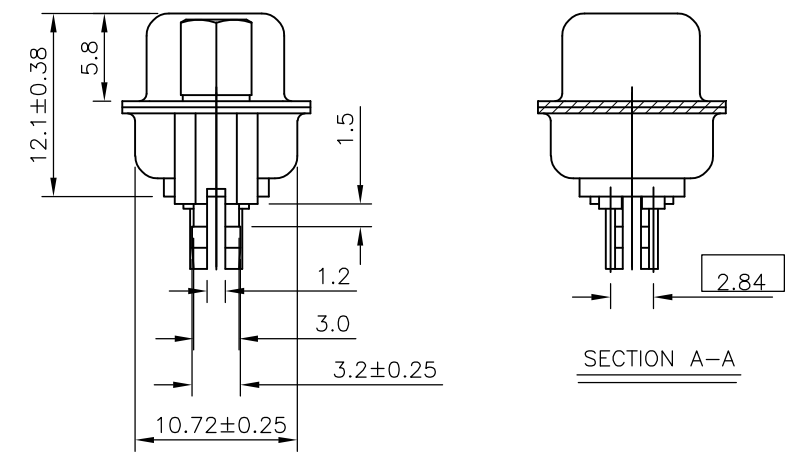
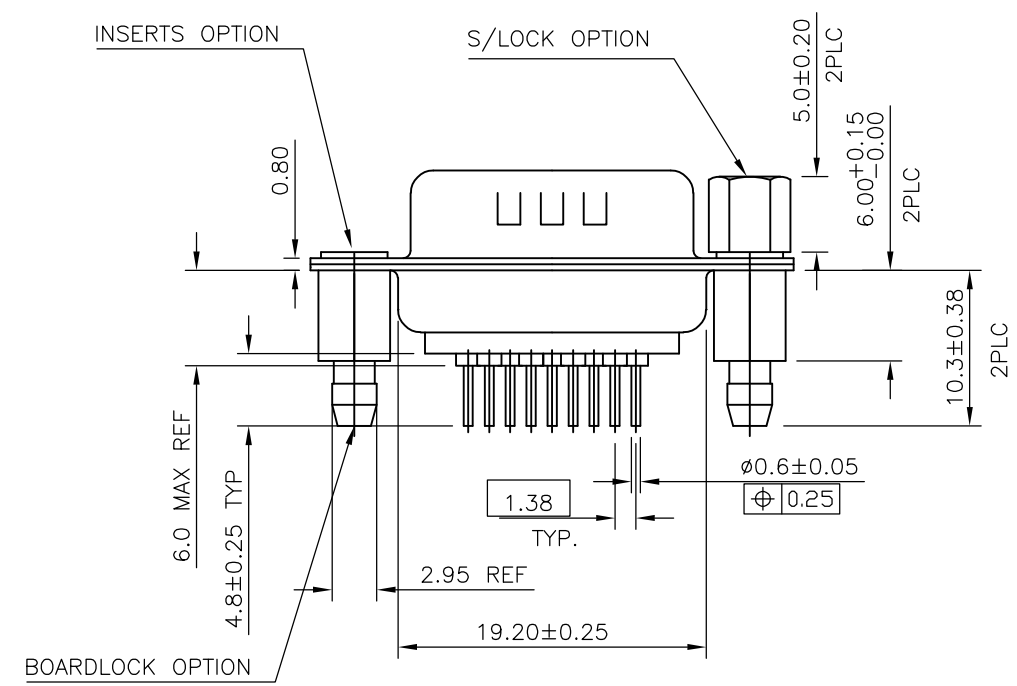
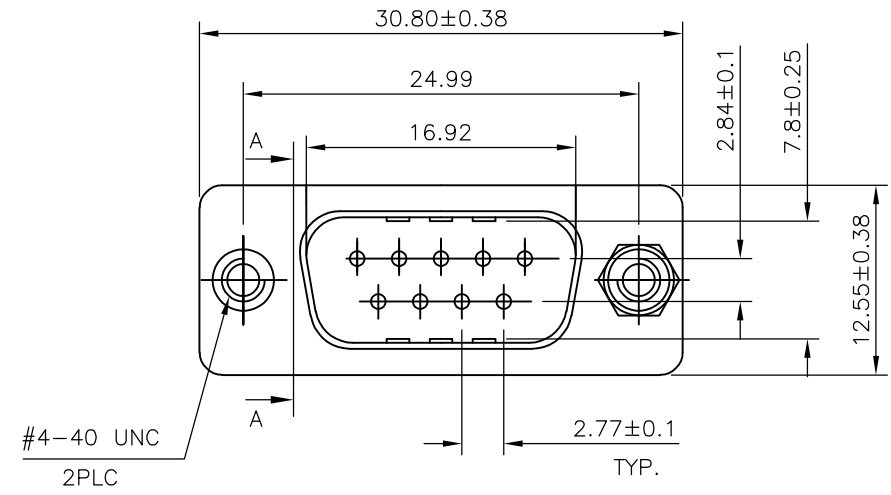


THIS DRAWING IS UNPUBLISHED. RELEASED FOR PUBLICATION
 © COPYRIGHT - By - ALL RIGHTS RESERVED.

LOC	DIST	REVISIONS					
GP	00	P	LTR	DESCRIPTION	DATE	DWN	APVD
			J	REVISED PER ECO-13-000728	21FEB2013	BMM	SLB

- NOTES:
- MATERIAL**
 HOUSING : THERMOPLASTIC, UL94V-0, BLACK
 CONTACTS : BRASS.
 SHELL : STEEL
 SCREW : BRASS.
 BOARD LOCK : BRASS.
 SCREW OF TORQUE : 5 Kg-cm MAX.
 - FINISH**
 CONTACT : 15µ" MIN.GOLD PLATING ON CONTACT AREA
 100µ" MIN. TIN PLATING ON SOLDER TAILS
 50µ" MIN. NICKEL UNDERPLATED OVERALL
 SHELL : 60µ" MIN. TIN PLATING
 SCREW : 50µ" MIN. NICKEL PLATING.
 BOARD LOCK : 50µ" MIN. NICKEL PLATING.
 - CHARACTERISTICS**
 CURRENT RATING : 3A
 INSULATION RESISTANCE : 1000MOHMS MIN, 500VDC FOR 2MINS.
 TEMPERATURE RATING : -55DEGC ~ +105DEGC
 VOLTAGE RATING : 250VDC

⚠️ OBSOLETE PARTS: OBSOLETE CIS STREAMLINING PER D.RENAUD/D.SINISI



⚠️ OBSOLETE	9W D PLG WITH B/L & M3 S/LOCK 15µ" GOLD	4-1634218-2
	9W D PLG WITH B/L & 4-40 S/LOCK 15µ" GOLD	3-1634218-2
⚠️ OBSOLETE	9W D PLG WITH B/L & M3 INSERTS 15µ" GOLD	-2-1634218-2
	9W D PLG WITH B/L & 4-40 INSERTS 15µ" GOLD	1-1634218-2
DESCRIPTION		PART No.

THIS DRAWING IS A CONTROLLED DOCUMENT. DIMENSIONING AND TOLERANCING PER ASME Y14.5M-2009		DWN J.SANDWELL 10APR03		
DIMENSIONS: MM		CHK R.DYER 10APR03		
TOLERANCES UNLESS OTHERWISE SPECIFIED:		APVD F.WHEELER-KING 10APR03	NAME	
0 PLC ± -	1 PLC ± 0.25	PRODUCT SPEC -	D-SUB HD20, VERTICAL, 9P PLUG CONNECTOR	
2 PLC ± 0.15	3 PLC ± -	APPLICATION SPEC -	SIZE	CAGE CODE
4 PLC ± -	ANGLES ± -	WEIGHT -	A3	00779
MATERIAL -	FINISH -	DRAWING NO		RESTRICTED TO
CUSTOMER DRAWING			G-1634218	-
		SCALE 2:1	SHEET 1 OF 2	REV J

THIS DRAWING IS UNPUBLISHED.

RELEASED FOR PUBLICATION

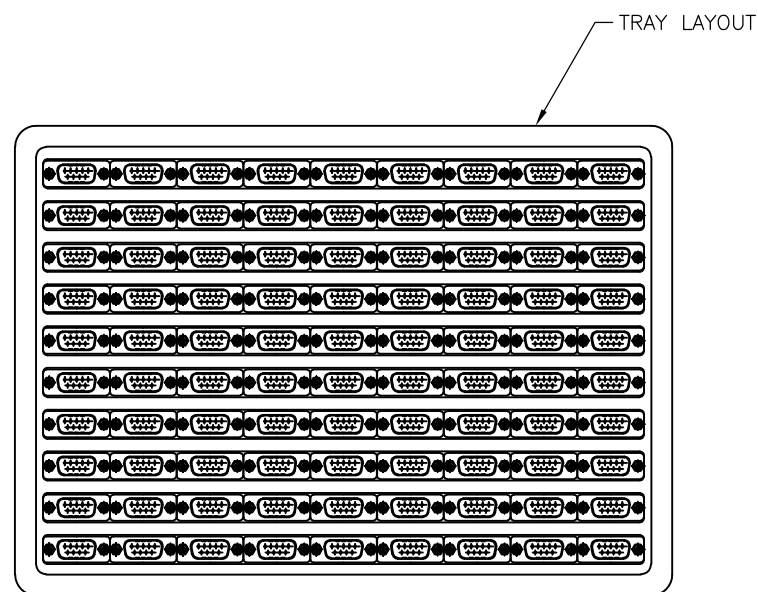
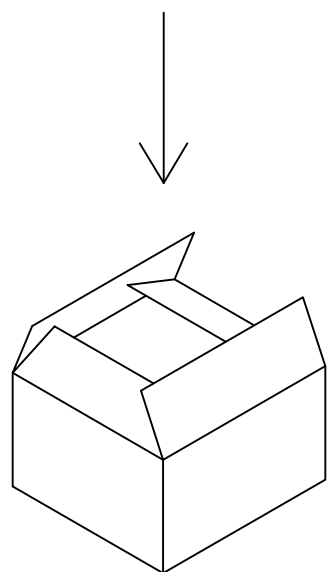
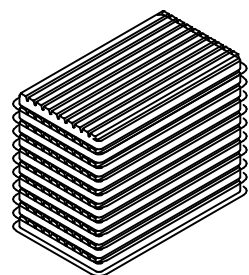
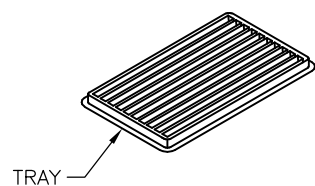
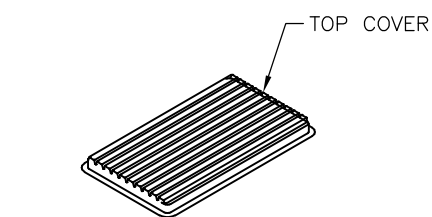
ALL RIGHTS RESERVED.

© COPYRIGHT - By -

LOC GP DIST 00

REVISIONS

P	LTR	DESCRIPTION	DATE	DWN	APVD
-	-	SEE SHEET 1	-	-	-



NOTES:

MATERIAL


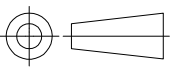
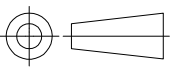
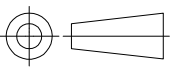
- 1. TRAY: PVC
- 2. SHIPPING CARTON: CORRUGATED FIBERBOARD

DIMENSIONS

- 1. TRAY: L=310, W=230, H=21
- 2. SHIPPING CARTON: L=330, W=245, H=160

QUANTITY

- 90 PCS/TRAY
- 10 TRAY/SHIPPING CARTON

THIS DRAWING IS A CONTROLLED DOCUMENT. DIMENSIONING AND TOLERANCING PER ASME Y14.5M-2009		DWN J.SANDWELL 10APR03	 TE Connectivity																		
<table border="1"> <tr> <th>DIMENSIONS:</th> <th>TOLERANCES UNLESS OTHERWISE SPECIFIED:</th> </tr> <tr> <td>MM</td> <td></td> </tr> <tr> <td></td> <td>0 PLC ± -</td> </tr> <tr> <td></td> <td>1 PLC ± 0.25</td> </tr> <tr> <td></td> <td>2 PLC ± 0.15</td> </tr> <tr> <td></td> <td>3 PLC ± -</td> </tr> <tr> <td></td> <td>4 PLC ± -</td> </tr> <tr> <td></td> <td>ANGLES ± -</td> </tr> </table>		DIMENSIONS:				TOLERANCES UNLESS OTHERWISE SPECIFIED:	MM			0 PLC ± -		1 PLC ± 0.25		2 PLC ± 0.15		3 PLC ± -		4 PLC ± -		ANGLES ± -	CHK R.DYER 10APR03
DIMENSIONS:	TOLERANCES UNLESS OTHERWISE SPECIFIED:																				
MM																					
	0 PLC ± -																				
	1 PLC ± 0.25																				
	2 PLC ± 0.15																				
	3 PLC ± -																				
	4 PLC ± -																				
	ANGLES ± -																				
MATERIAL -		APVD F.WHEELER-KING 10APR03	RESTRICTED TO -																		
FINISH -		PRODUCT SPEC -	SIZE A3	CAGE CODE 00779	DRAWING NO C-1634218																
		APPLICATION SPEC -	SCALE 2:1																		
		WEIGHT -	SHEET 2 OF 2																		
		CUSTOMER DRAWING	REV J																		