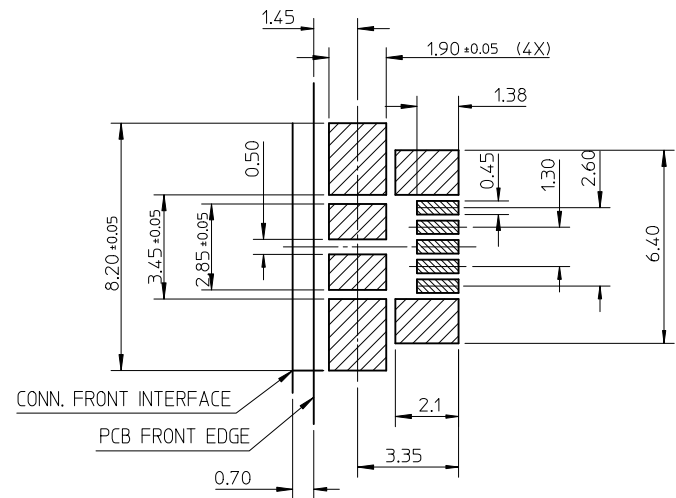
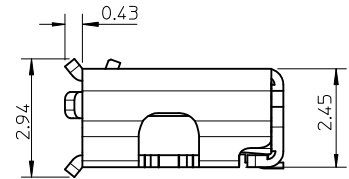
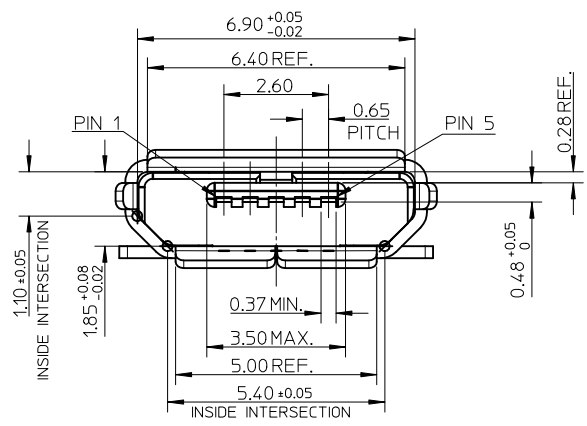
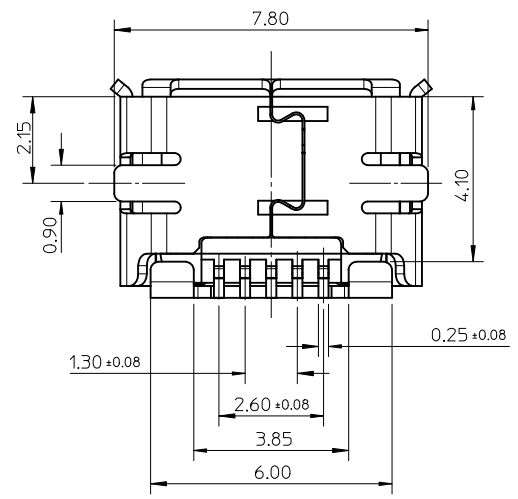


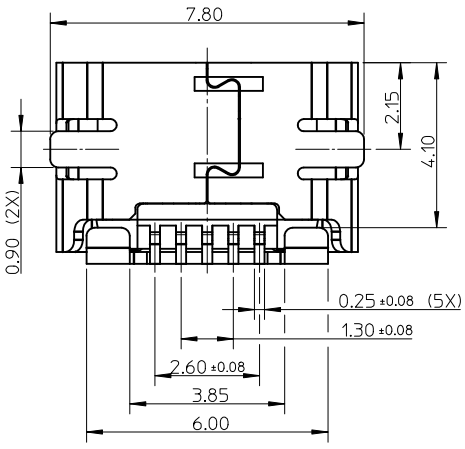
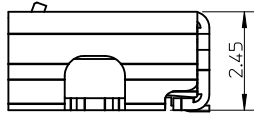
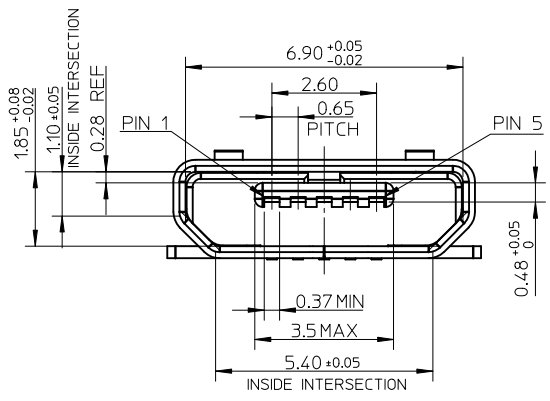
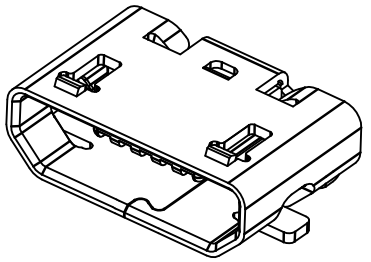
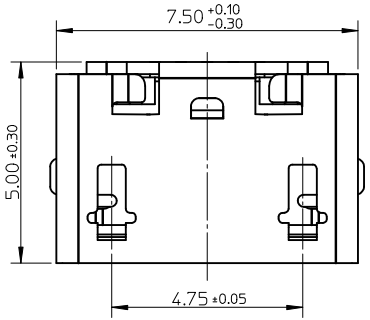
- NOTES:
- MATERIAL:
    - HOUSING: LCP, BLACK, UL94V-0;
    - TERMINAL: COPPER ALLOY, THICKNESS: 0.15mm;
    - SHELL: STAINLESS STEEL, THICKNESS: 0.30mm.
  - PLATING:
    - TERMINAL:
      - CONTACT AREA: GOLD FLASH OVER MINIMUM 0.75MICRON Pd/Ni;
      - SOLDER TAIL AREA: GOLD FLASH;
      - UNDER PLATING: NICKEL 2.0MICRON MINIMUM.
    - SHELL:
      - MATTE TIN 3.8MICRON MINIMUM;
      - UNDER PLATING: NICKEL 1.27MICRON MINIMUM.
  - TAIL & NAIL COPLANARITY 0.08mm MAXIMUM.
  - PRODUCT SPECIFICATION: PS-47346-001.
  - PACKAGE SPECIFICATION: PK-47346-001.
  - COMPLIANT TO RoHS DIRECTIVE 2002/95/EC AND ELV 2000/53/EC.



RECOMMENDED P.C.B. PATTERN LAYOUT



ADD PART NUMBER EC NO: SH2012-0250 DRWIN:XOZHANG 2012/03/13 CHYKD:XOZHANG 2012/03/30 APPR:AYTN 2012/04/10 REV B	QUALITY SYMBOLS $\nabla_{\text{F}}=0$ $\nabla_{\text{F}}=0$ $\nabla_{\text{F}}=0$	GENERAL TOLERANCES (UNLESS SPECIFIED) mm INCH 4 PLACES ± --- ± --- 3 PLACES ± --- ± --- 2 PLACES ± 0.25 ± --- 1 PLACE ± 0.25 ± --- 0 PLACE ± ±	DIMENSION STYLE MM ONLY DRAWN BY: XJSONG DATE: 2006/12/11 CHECKED BY: IWANG DATE: 2006/12/11 APPROVED BY: JNCHEN DATE: 2006/12/11	SCALE 8:1	DESIGN UNITS METRIC	THIRD ANGLE PROJECTION	MICRO USB B REC. BOTTOM MOUNT ASS'Y  <b>molex</b> MATERIAL NO. 47346-0001 DOCUMENT NO. SD-47346-001 SHEET NO. 1 OF 2	
	ANGULAR ± 3 °	DRAFT WHERE APPLICABLE MUST REMAIN WITHIN DIMENSIONS	SIZE A3	THIS DRAWING CONTAINS INFORMATION THAT IS PROPRIETARY TO MOLEX INCORPORATED AND SHOULD NOT BE USED WITHOUT WRITTEN PERMISSION				



SEE SHEET 1 EC NO: SH2012-0250 DRWN:XOZHANG 2012/03/13 CHKD:XOZHANG 2012/03/30 APPR:AYTN 2012/04/10	REV	DESCRIPTION	QUALITY SYMBOLS	GENERAL TOLERANCES (UNLESS SPECIFIED)	DIMENSION STYLE	SCALE	DESIGN UNITS	THIRD ANGLE PROJECTION
				mm INCH	MM ONLY	8:1	METRIC	
			$\nabla_{\sqrt{3}}=0$	4 PLACES ± --- ± ---	DRAWN BY DATE	TITLE		
			$\nabla_{\sqrt{2}}=0$	3 PLACES ± --- ± ---	CHECKED BY DATE	MICRO USB B REC. BOTTOM MOUNT ASS'Y FLANGELESS TYPE		
			$\nabla_{\sqrt{2}}=0$	2 PLACES ± 0.25 ± ---	APPROVED BY DATE	molex		
			$\nabla_{\sqrt{2}}=0$	1 PLACE ± 0.25 ± ---	JNCHEN 2006/12/11	DOCUMENT NO. SD-47346-001		
				0 PLACE ± ±	MATERIAL NO. 47346-1001	SHEET NO. 2 OF 2		
				ANGULAR ± 3 °	THIS DRAWING CONTAINS INFORMATION THAT IS PROPRIETARY TO MOLEX INCORPORATED AND SHOULD NOT BE USED WITHOUT WRITTEN PERMISSION			
				DRAFT WHERE APPLICABLE MUST REMAIN WITHIN DIMENSIONS				