

TECHNICAL CHARACTERISTICS

MATERIAL  
 INSULATOR: PBT  
 COLOR: WHITE  
 CONTACT MATERIAL: COPPER ALLOY  
 CONTACT TYPE: STAMPED  
 CONTACT PLATING: SELECTIVE GOLD  
 SHIELDING: BRASS NI PLATED  
 QUALITY CLASS: 1500 MATING CYCLES

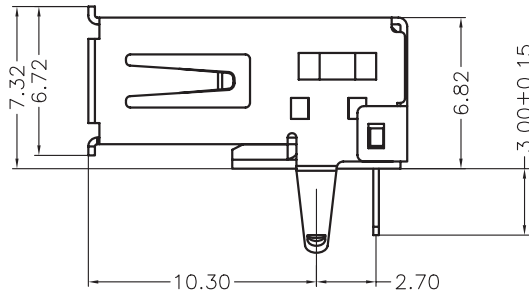
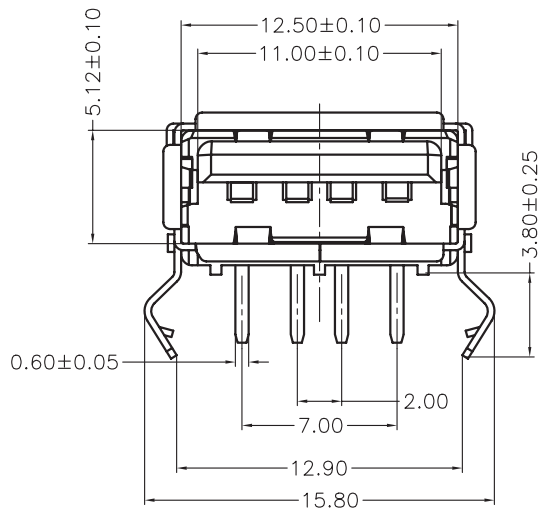
ENVIRONMENTAL  
 OPERATING TEMPERATURE: -40 UP TO 105°C  
 FLAMABILITY RATING: UL94-V0  
 COMPLIANCE: LEAD FREE AND ROHS

ELECTRICAL  
 CURRENT RATING: 1.5A Max  
 WORKING VOLTAGE: 30V AC  
 INSULATOR RESISTANCE: >1000 MOHM  
 DIELECTRIC WITHSTANDING VOLTAGE: 750V AC/MN  
 CONTACT RESISTANCE: 20 mOHM MAX

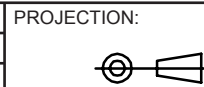
STANDARD  
 CERTIFIED: E323964 / MODEL NUMBER 614-60

SOLDERING  
 WAVE PROCESS ONLY

PACKAGING  
 TRAY



RoHS Compliant			
J	15-FEV-13	DESIGNATION	AR
I	08-NOV-11	CURRENT RATING	GG
H	03-OCT-11	UL	GG
REV	DATE	FILE	BY



GENERAL TOLERANCE  
 .X = +/- 0.2  
 .XX = +/- 0.15



APPROVAL: RJ

UNIT: MM

DESCRIPTION: USB 2.0 FEMALE R/A A TYPE

SIZE

SCALE:

WERI PART NO: 61400416021

**A4**

SHEET: 1/2

DRAW: PEARL

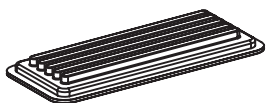
1

2

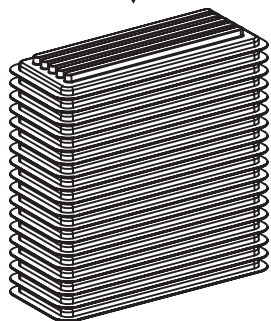
3

4

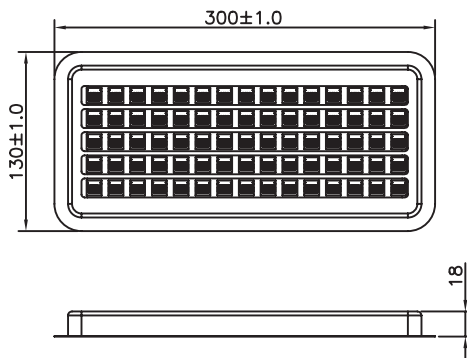
5



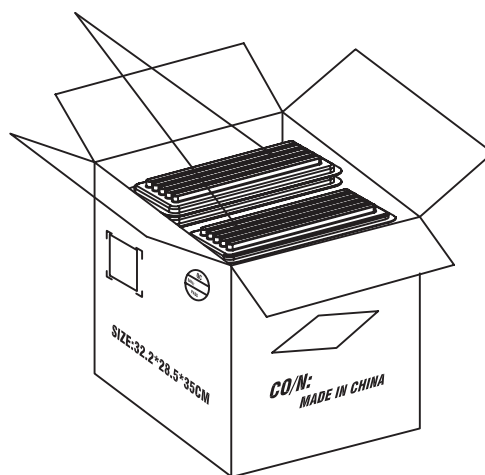
TRAY



22 TRAYS



Two Row

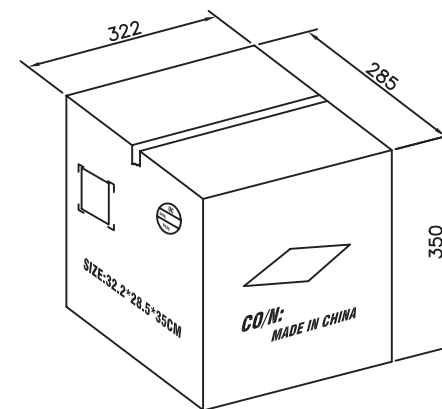


Note:

1.Dimension:  
Tray Size: 300(L)X130(W)X18.0(H) (mm)  
Carton Size: 322X285X350 (mm)

2.Quqntity:  
60pcs/Tray  
44Tray/ Carton  
Q'TY: 2640pcs

3.G.W: 7.12KG/Carton

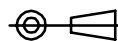


CARTON

RoHS Compliant

G			
F			
E			
D			
C			
B			
A			
REV	DATE	FILE	BY

PROJECTION:



APPROVAL: RJ

GENERAL TOLERANCE

.X = +/- 0.2

.XX = +/- 0.15

UNIT: MM

SCALE:

SHEET: 2/2

DRAW: PEARL



DESCRIPTION: USB 2.0 FEMALE R/A A TYPE

WERI PART NO: 61400416021

SIZE

A4