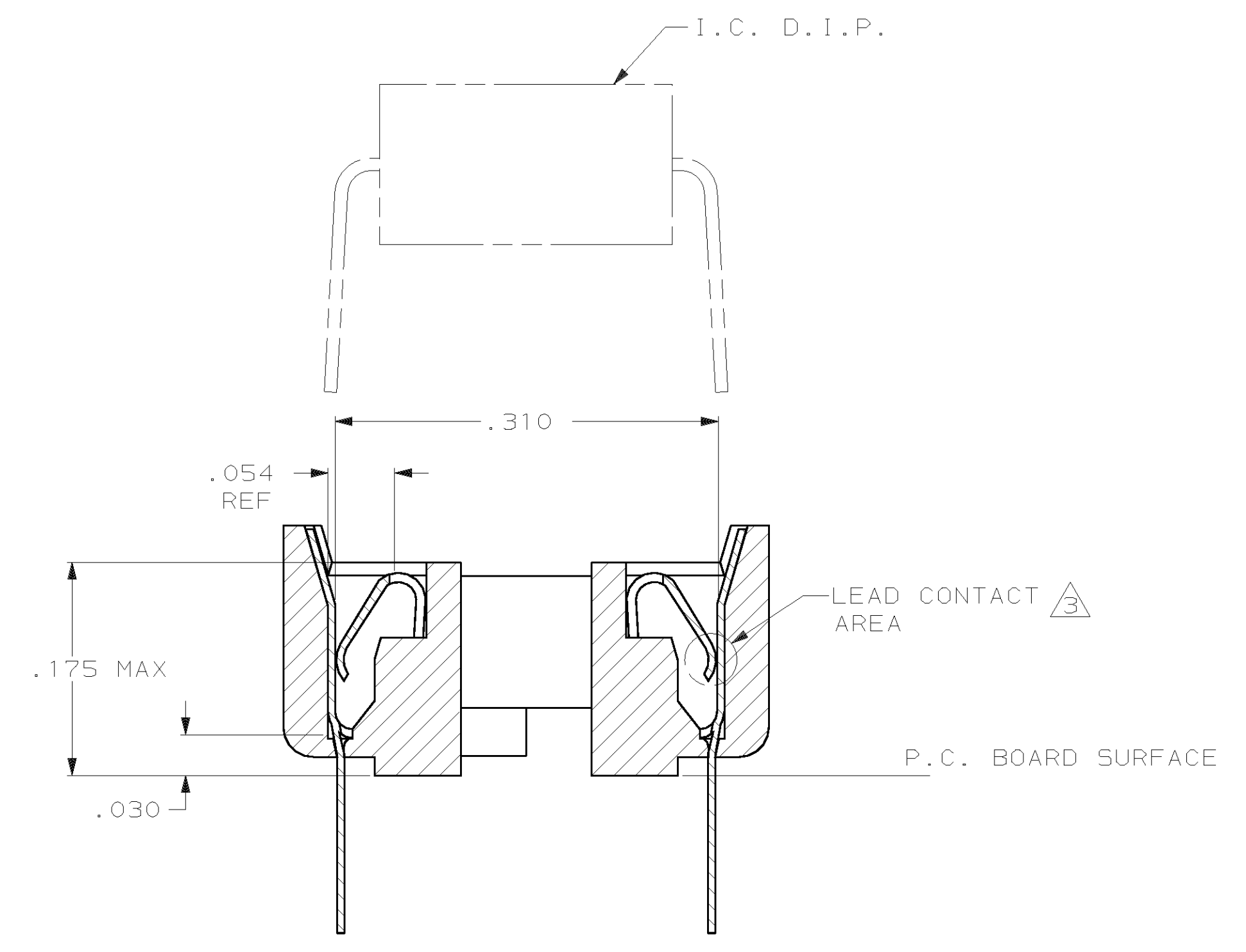
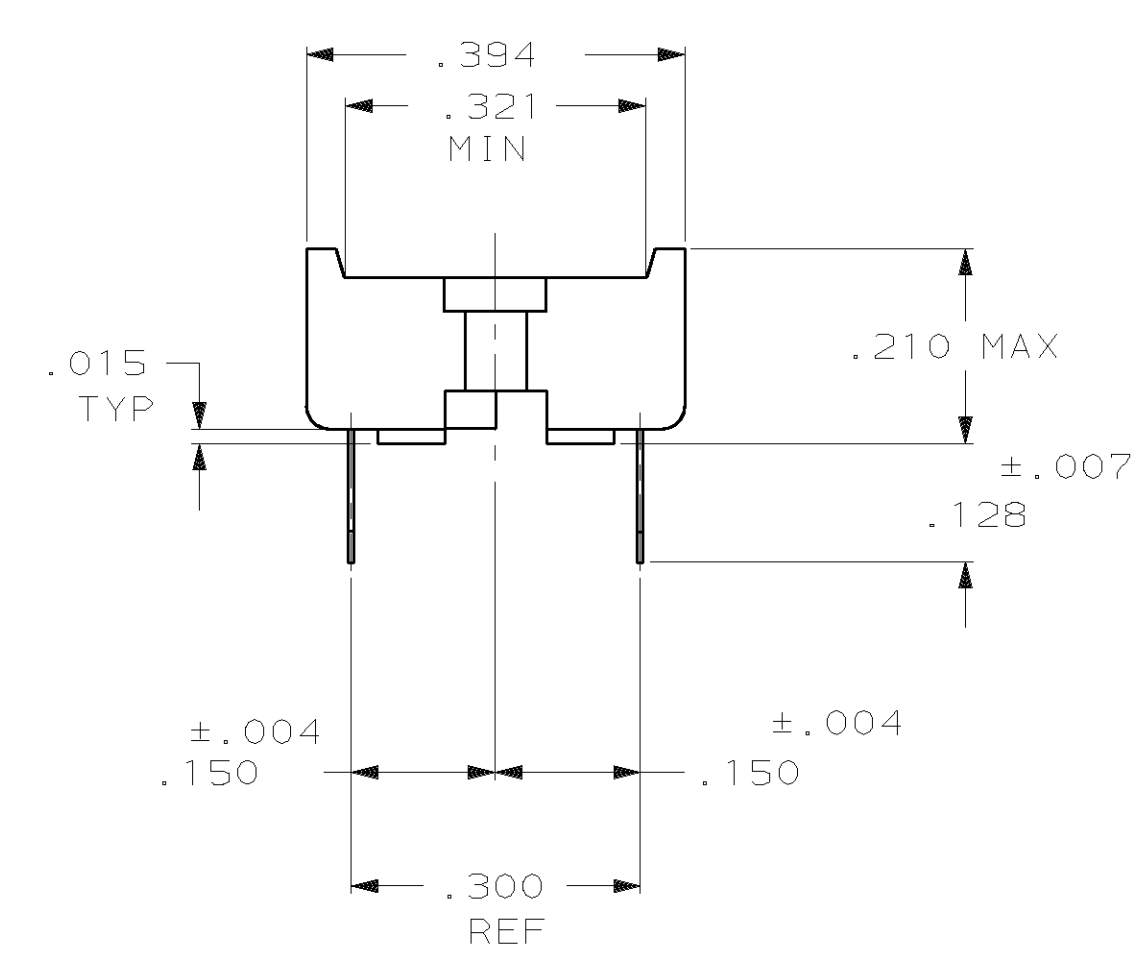
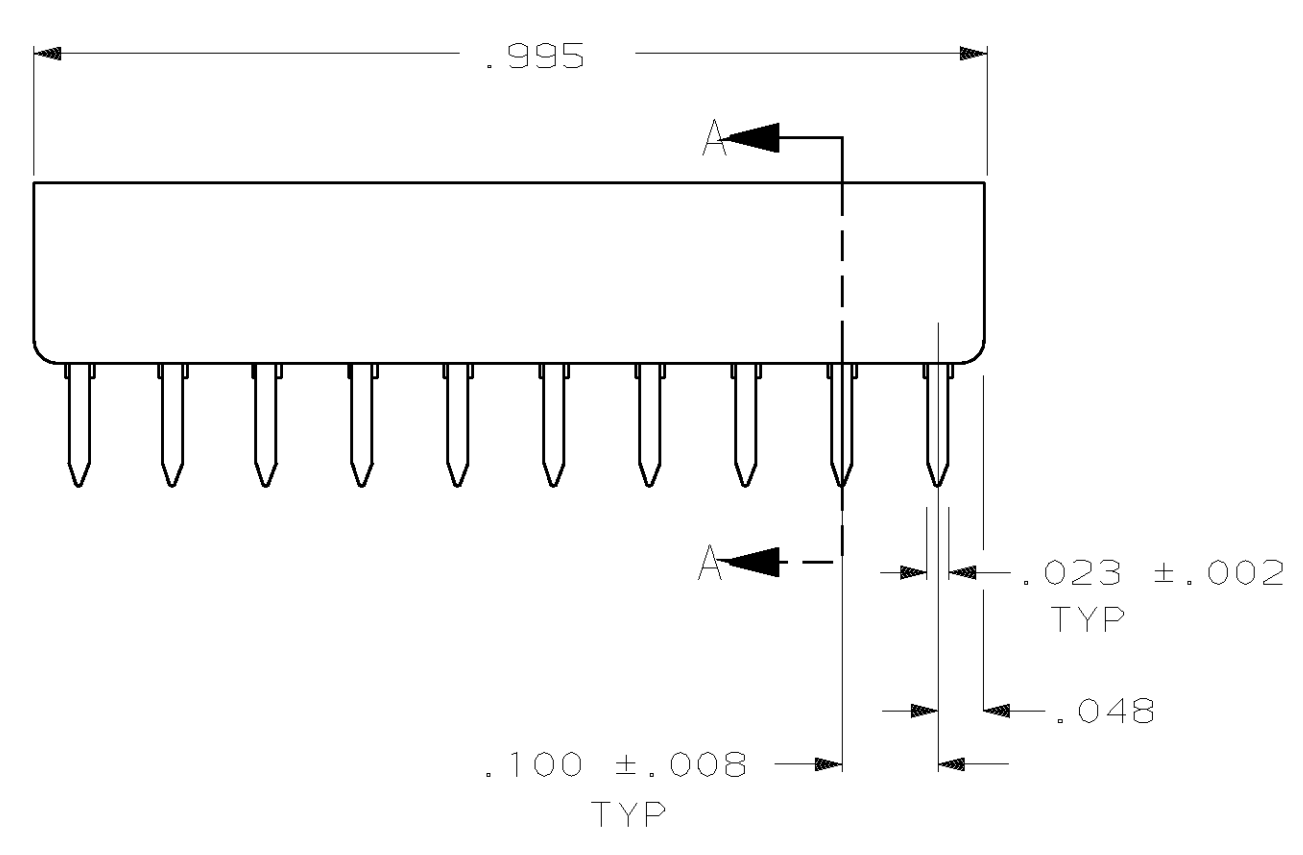
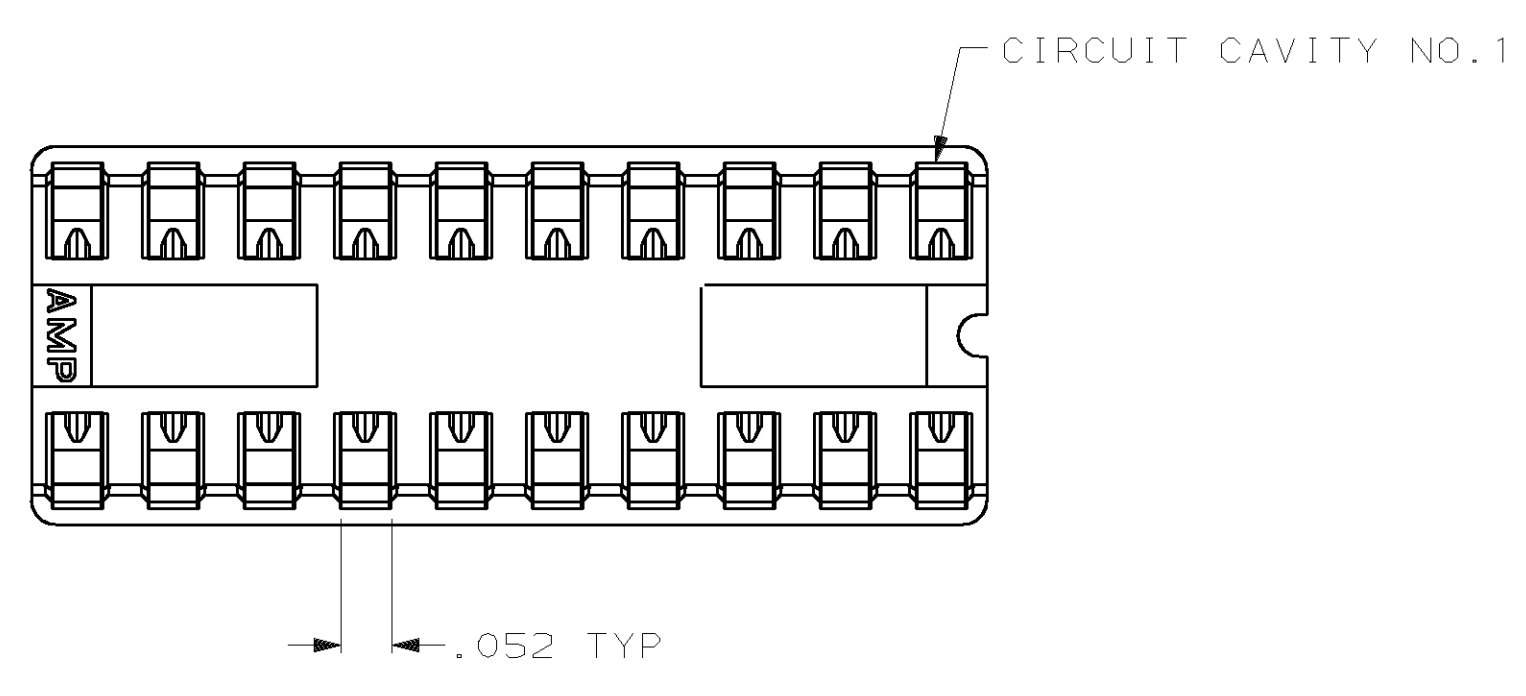
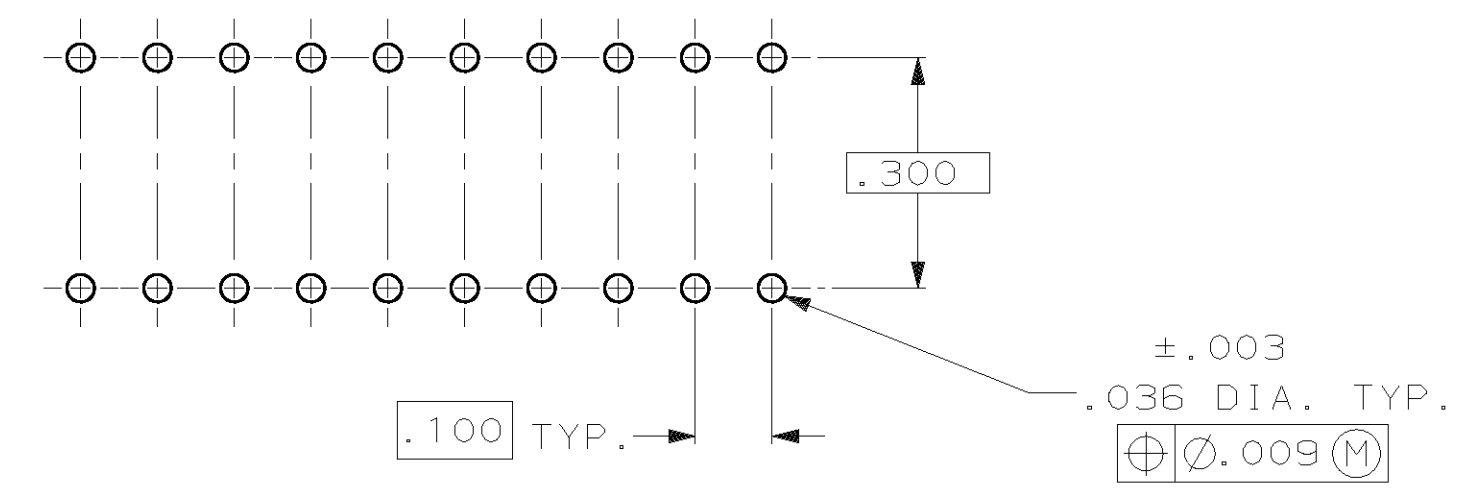


- RECEPTACLE ACCEPTS A .008-.014 THICK I.C. LEAD.
  - TUBE LOADED.
- △ TWO .000015 MIN THK. GOLD STRIPES IN CONTACT AREA WITH TIN-LEAD (93/7) ON SOLDER LEGS, BALANCE OF CONTACT NICKEL PLATED.



SECTION A-A  
SCALE 10:1



RECOMMENDED MOUNTING HOLE PATTERN  
SCALE 4:1

|          |                |               |                        |            |
|----------|----------------|---------------|------------------------|------------|
| OBsolete | △              | PHOS. BRZ     | BROWN GLASS-FILLED PCT | 2-382465-4 |
|          | TINNED         | PHOS. BRZ     | BROWN GLASS-FILLED PCT | 2-382465-3 |
| OBsolete | TINNED         | BE.CU.        | BROWN GLASS-FILLED PCT | 2-382465-1 |
|          | CONTACT FINISH | CONTACT MAT'L | HOUSING MATERIAL       | PART NO.   |

|  |             |                                |   |               |
|--|-------------|--------------------------------|---|---------------|
| THIS DRAWING IS A CONTROLLED DOCUMENT. |             | DWN<br>K. SALMON<br>6 MAR 90   | AMP Incorporated<br>Harrisburg, PA 17105-3608 |               |
| DIMENSIONS INCHES                      |             | CHK<br>R. MILLER<br>6 MAR 90   | AMP   |               |
| TOLERANCES UNLESS OTHERWISE SPECIFIED. |             | APP'D<br>R. PRIDDY<br>8 MAR 90 | NAME  |               |
| 0 PLC ±-                               | 1 PLC ±-    | PRODUCT SPEC                   |   |               |
| 2 PLC ±-                               | 3 PLC ±.005 | 108-1066                       |   |               |
| 4 PLC ±-                               | ANGLES ±-   | APPLICATION SPEC               |   |               |
| MATERIAL SEE TABLE                     |             | FINISH SEE TABLE               |   | WEIGHT        |
|  |             | CUSTOMER DRAWING               |   | SCALE 5:1     |
|  |             | SIZE                           |   | RESTRICTED TO |
|  |             | A1 00779 C-382465              |   | 1 OF 1        |
|  |             | REV G                          |   |               |