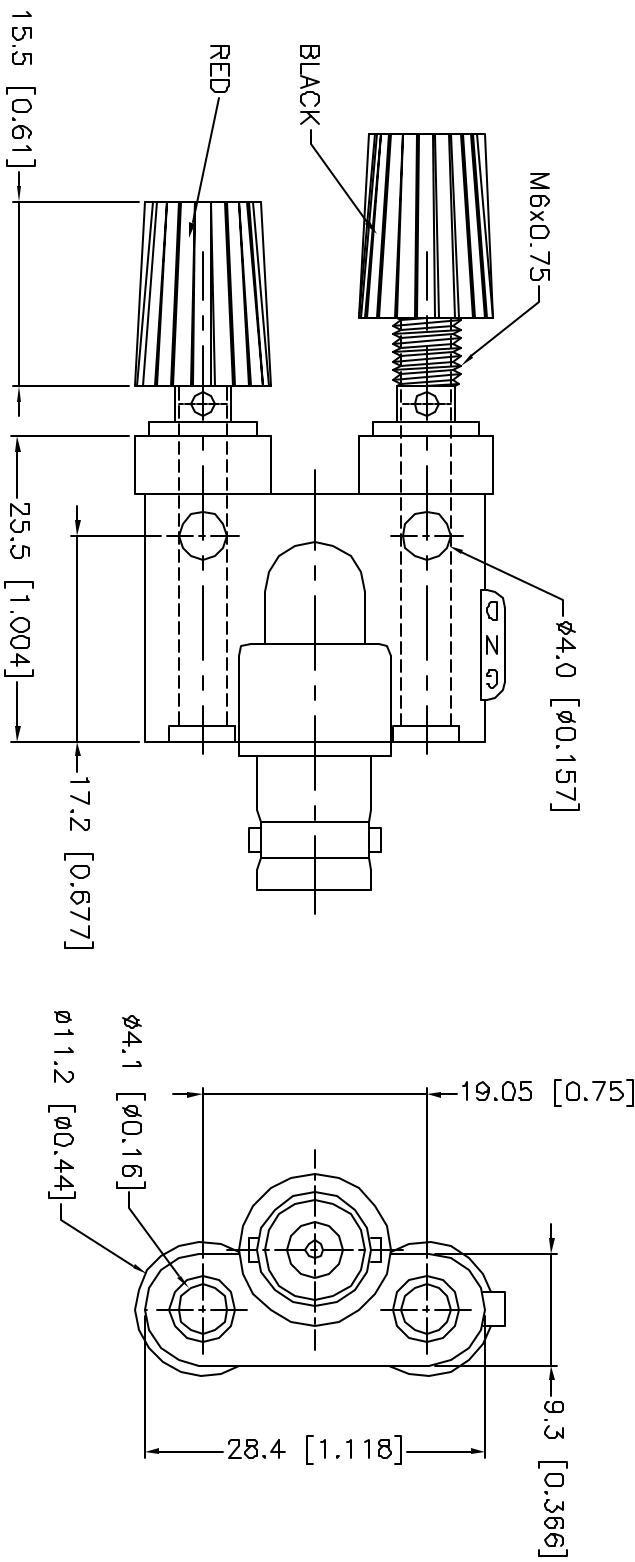


ALL RIGHTS RESERVED. NO PORTION OF THIS PUBLICATION, WHETHER IN WHOLE OR IN PART CAN BE REPRODUCED WITHOUT THE EXPRESS WRITTEN CONSENT OF SPC TECHNOLOGY.

REVISIONS		DOC. NO. SPC-F005	Effective 12/21/08	DCP No 890				
DCP #	REV	DESCRIPTION	DRAWN	DATE	CHECKD	DATE	APPRVD	DATE
1959	A	RELEASED	JJM	09/23/08	JJM	09/23/08	JJM	09/23/08



Material:

1. BNC Female: Brass, Nickel-Plated
2. BNC Center Contact: Brass, Gold-Plated
3. BNC Center Insulator: Delrin
4. Body: PE, Black
5. Binding Posts: Brass, Nickel-Plated
6. Knob: Nylon, Black & Red

DISCLAIMER:
ALL STATEMENTS AND TECHNICAL INFORMATION CONTAINED HEREIN ARE BASED UPON INFORMATION AND/OR TESTS WE BELIEVE TO BE ACCURATE AND RELIABLE. SINCE CONDITIONS OF USE ARE BEYOND OUR CONTROL, THE USER SHALL DETERMINE THE SUITABILITY OF THE PRODUCT FOR THE INTENDED USE AND ASSUME ALL RISK AND LIABILITY WHATSOEVER IN CONNECTION THEREWITH.

UNLESS OTHERWISE SPECIFIED, DIMENSIONS ARE FOR REFERENCE PURPOSES ONLY.

TOLERANCES:
X ±0.2 [0.008]
.xx ±0.12[0.005]

DRAWN BY:	Jason Nash	DATE:	09/23/08
CHECKED BY:	JJM	DATE:	09/23/08
APPROVED BY:	JJM	DATE:	09/23/08



DRAWING TITLE:
BNC FEMALE TO DUAL BINDING POSTS

SIZE	DWG. NO.	ELECTRONIC FILE	REV
A	SPC20526	02M2075.DWG	A
SCALE:	NTS	U.O.M.: mm [INCH]	SHEET: 1 OF 1