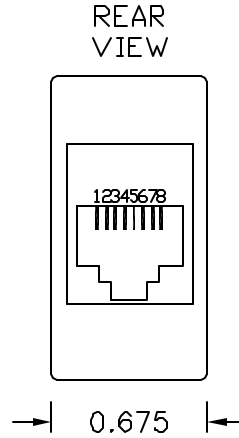
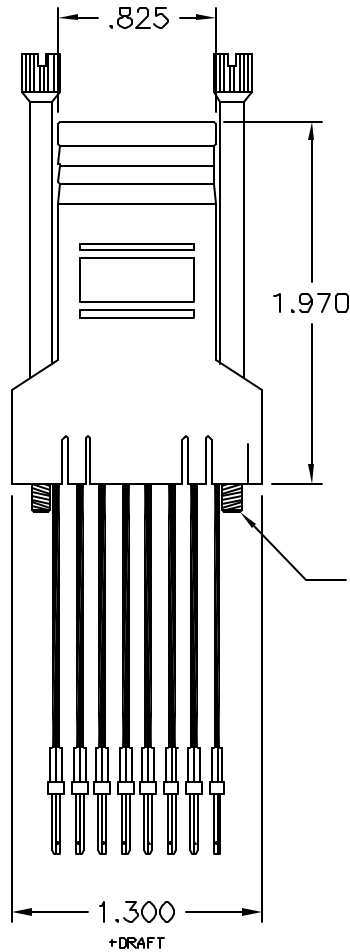


DCP #	REV	DESCRIPTION	DRAWN	DATE	CHECKD	DATE	APPRVD	DATE
1789		Released	JWM	5/11/07	JN	2/18/08	JN	2/18/08



- MODULAR JACK PIN I.D.
- 1 - BLUE
 - 2 - ORANGE
 - 3 - BLACK
 - 4 - RED
 - 5 - GREEN
 - 6 - YELLOW
 - 7 - BROWN
 - 8 - WHITE

NOTES:

1. COVER MATERIAL: ABS Thermoplastic, GRAY
2. RJ Insert: ABS Thermoplastic
3. D-Sub Insulator: PBT Thermoplastic
4. D-Sub Contacts: Copper Alloy, Gold Plated
5. RJ Contacts: Copper Alloy, Gold Plated
6. Thumbscrews: Low Carbon Steel, Nickel Plated
7. Inner Shield: Copper Alloy, Nickel Plated

Kit Includes

Qty	Description
1	One Piece Plastic Cover with RJ Modular Assembly & Inner Shield
2	#4-40 UNC Thumbscrews installed in cover
1	9 Position Male crimp style D-Sub Connector
1	RJ style insert installed in cover

SPC-F004.DWG

TOLERANCES: UNLESS OTHERWISE SPECIFIED, DIMENSIONS ARE FOR REFERENCE PURPOSES ONLY.	DRAWN BY:	DATE:	DRAWING TITLE:			
	Jeff McVicker	5/11/07	9-Pin Male RS-232 Adapter Kit			
	CHECKED BY:	DATE:	SIZE	DWG. NO.	ELECTRONIC FILE	REV
	Jason Nash	2/18/08	A	SPC19869	80K5436.dwg	
APPROVED BY:	DATE:	SCALE: NTS		U.O.M.: INCHES [mm]		SHEET: 1 OF 1
Jason Nash	2/18/08					

ALL RIGHTS RESERVED. NO PORTION OF THIS PUBLICATION, WHETHER IN WHOLE OR IN PART CAN BE REPRODUCED WITHOUT THE EXPRESS WRITTEN CONSENT OF SPC TECHNOLOGY. DISCLAIMER: ALL STATEMENTS AND TECHNICAL INFORMATION CONTAINED HEREIN ARE BASED UPON INFORMATION AND/OR TESTS WE BELIEVE TO BE ACCURATE AND RELIABLE. SINCE CONDITIONS OF USE ARE BEYOND OUR CONTROL, THE USER SHALL DETERMINE THE SUITABILITY OF THE PRODUCT FOR THE INTENDED USE AND ASSUME ALL RISK AND LIABILITY WHATSOEVER IN CONNECTION THEREWITH.