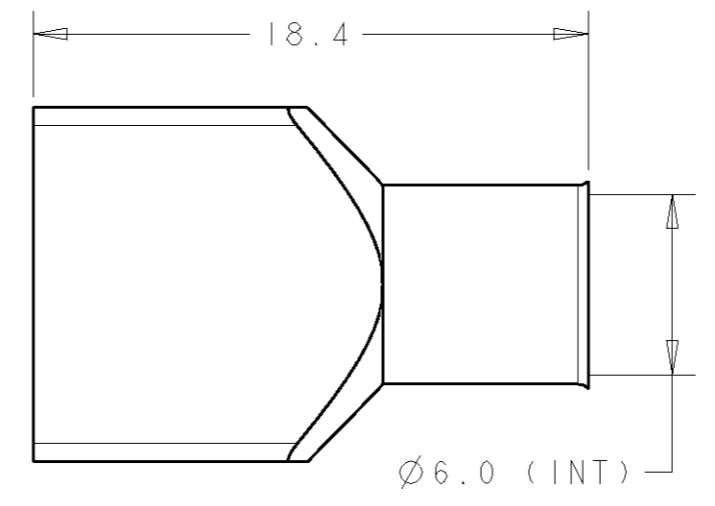
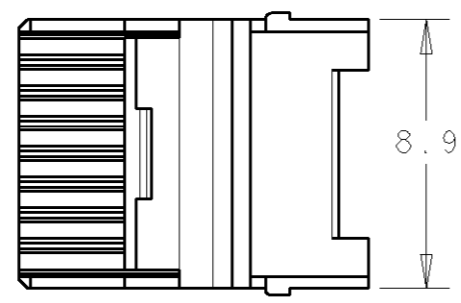
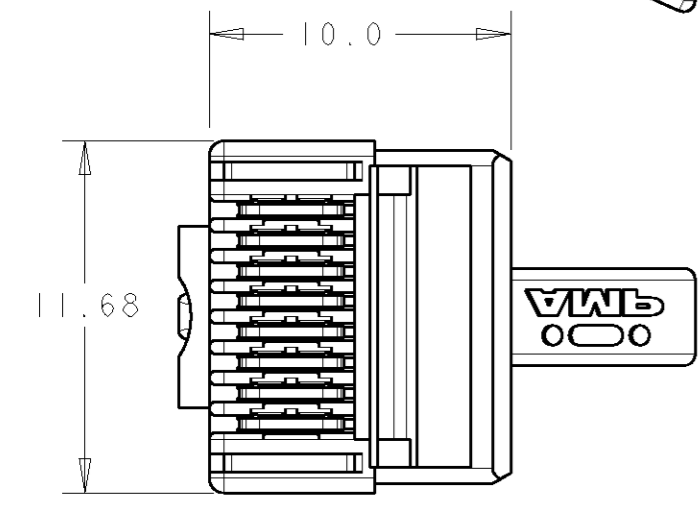
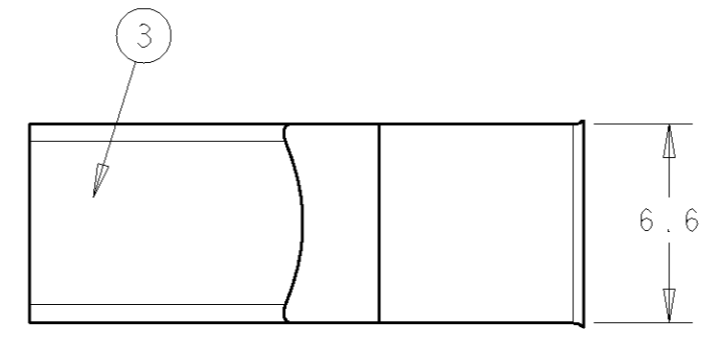
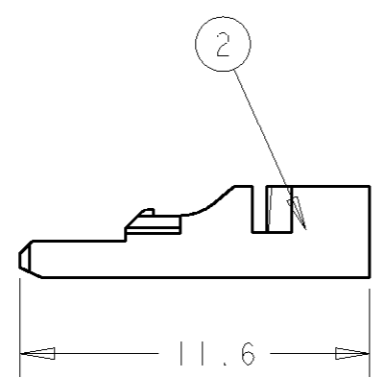
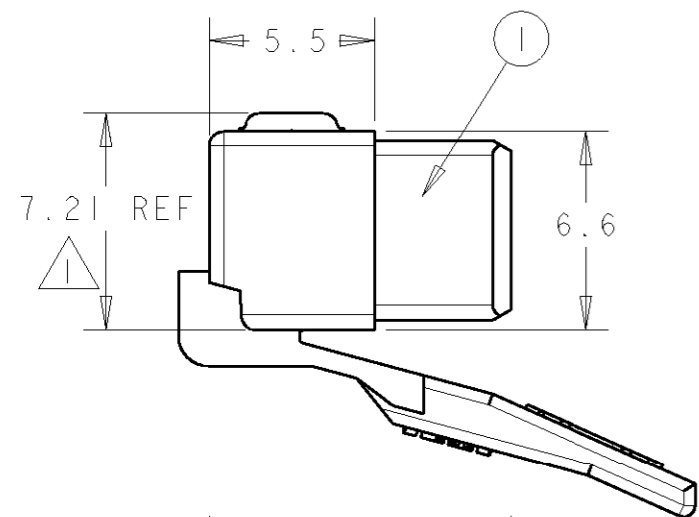


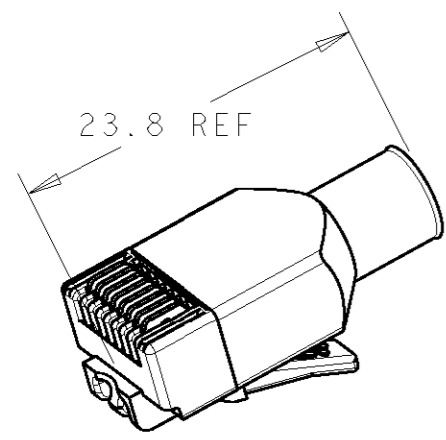
THIS DRAWING IS UNPUBLISHED. RELEASED FOR PUBLICATION 20  
 © COPYRIGHT 20 BY TYCO ELECTRONICS CORPORATION. ALL RIGHTS RESERVED.

LOC	DIST	REVISIONS				
P	LTR	DESCRIPTION	DATE	DWN	APVD	
AL	2	B	ES00-0073-01	11JUL01	JC	RS
		BI	ES00-0073-03	01SEP03	RS	JL



- 1 TERMINATED DIMENSION 6.02±0.13
- 2 PACKAGING: 100 SUB-ASSEMBLIES, 100 WIRE HOLDERS AND 100 SHIELDS PER CARTON
- 3 PACKAGING: 1000 SUB-ASSEMBLIES, 1000 WIRE HOLDERS AND 1000 SHIELDS PER CARTON
- 4 CABLE RANGE: -4 TWISTED PAIRS, -JACKET DIAMETER: 5.0/6.0, -SHIELDING: FOIL AND/OR BRAID, -24/26 AWG STRANDED WIRE, -INSULATION DIAMETER: 0.8/1.0
- 5 1.27 MICRAS MIN. THICK GOLD IN LOCALIZED GOLD PLATE AREA, GOLD FLASH ON THE REMAINDER OVER 2.00 MICRAS MIN. THICK NICKEL UNDERPLATE.

- 1 DIMENSION TRAS ENGAS-TADURA 6.02±0.13
- 2 EMBALAJE: 100 SUBCONJUNTOS, 100 PORTACONDUCTORES Y 100 PANTALLAS EN UNA CAJA DE CARTON
- 3 EMBALAJE: 1000 SUBCONJUNTOS, 1000 PORTACONDUCTORES Y 1000 PANTALLAS EN UNA CAJA DE CARTON
- 4 RANGO DE CABLE: -4 PARES TRENZADOS, -DIAMETRO DE LA FUNDA: 5.0/6.0, -PANTALLA: LAMINA Y/O MALLA, -CABLECILLO DE 24/26 AWG, -DIAMETRO DE AISLANTE: 0.8/1.0
- 5 1.27 MICRAS MIN. DE Au EN EL AREA LOCALIZADA DE DORADO. RESTO FLASH DE Au SOBRE 2.00 MICRAS MIN. DE Ni.



3	2	NICKEL	BRASS	SHIELD	3
		---	PC	WIRE HOLDER	2
		CONTACT: 5	PC, PH BRONZE	ASSY, 8 POSN, SHLD, ROUND CABLE, MOD PLUG	1
-2	-1	FINISH	MATERIAL	DESCRIPTION	ITEM

THIS DRAWING IS A CONTROLLED DOCUMENT FOR TYCO ELECTRONICS CORPORATION. IT IS SUBJECT TO CHANGE AND THE CONTROLLING ENGINEERING ORGANIZATION SHOULD BE CONTACTED FOR THE LATEST REVISION.

DIMENSIONS: mm	TOLERANCES UNLESS OTHERWISE SPECIFIED:	DWN J. CARBONELL 24DEC97	<b>tyco</b> Electronics	Tyco Electronics AMP España, S.A. Barcelona, Spain.	
	0 PLC ± 1 PLC ±0.2 2 PLC ±0.1 3 PLC ± 4 PLC ± ANGLES ±	CHK O. PLANA 24DEC97		NAME KIT, 8 POSN, SHLD, RND CABLE, MOD PLUG CJTO, 8V, APANT, CABLE REDONDO, MOD PLUG	
MATERIAL SEE TABLE	FINISH SEE TABLE	APVD -	PRODUCT SPEC 108-19102	SIZE A3	CAGE CODE 00779
			APPLICATION SPEC 114-22008	DRAWING NO C-336330	RESTRICTED TO -
			WEIGHT -	SCALE 4:1 SHEET 1 OF 1 REV BI	

CUSTOMER DRAWING