

THIS DRAWING IS UNPUBLISHED.

RELEASED FOR PUBLICATION NOV. 2003.

© COPYRIGHT 2003 By -

ALL RIGHTS RESERVED.

| LOC | DIST | REVISIONS |     |                           |         |     |      |
|-----|------|-----------|-----|---------------------------|---------|-----|------|
| E   | B    | P         | LTR | DESCRIPTION               | DATE    | DWN | APVD |
|     |      |           | C1  | REVISED PER ECO-11-005033 | 31MAR11 | RK  | HMR  |

- ① SINGLE PACK IN ACCORDANCE WITH SPEC 107-3275
- ② 100 TRAY PACK IN ACCORDANCE WITH SPEC 107-3275
- ③ Au PLATING
- ④ FLASH Au PLATING

ELECTRICAL CHARACTERISTICS

FREQUENCY RANGE: 50 Ohm DC - 6GHz  
 INSULATION RESISTANCE: 1000MOhm  
 WORKING VOLTAGE: 335V RMS at Sea Level  
 DIELECTRIC WITHSTAND VOLTAGE: 500V RMS Max  
 CONTACT RESISTANCE:  
 CENTRE CONTACT: 5.00 MOhm Max

MECHANICAL CHARACTERISTICS

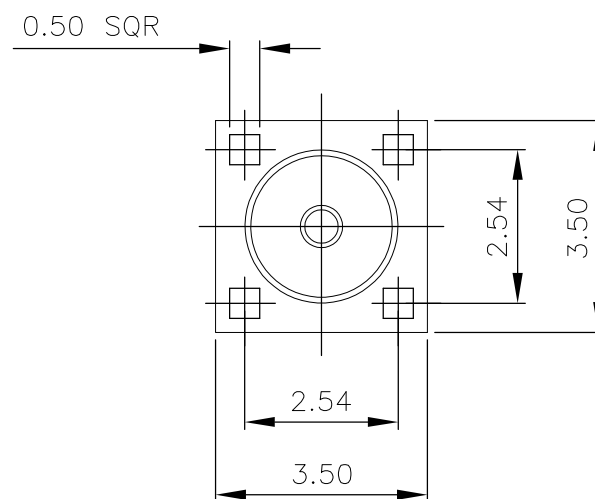
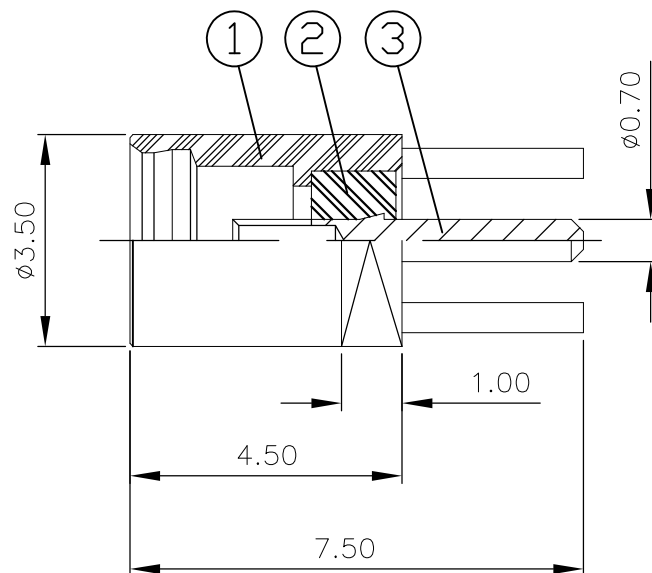
DURABILITY: 500 Cycles Min

ENVIRONMENTAL CHARACTERISTICS

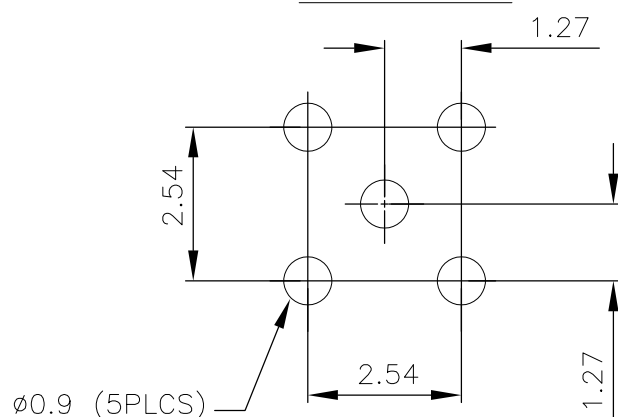
OPERATING TEMPERATURE: -65°C to +165°C

5 FOR TECHNICAL DATA REFER TO YOUR LOCAL TE CONNECTIVITY SALES OFFICE

6 ALL DIMENSIONS ARE NOMINAL FOR REFERENCE ONLY UNLESS OTHERWISE STATED



RECOMMENDED PCB LAYOUT



|                   |  |      |      |                    |             |      |
|-------------------|--|------|------|--------------------|-------------|------|
|                   |  | 1    | 1    | BERYLLIUM COPPER ③ | SOCKET      | 3    |
|                   |  | 1    | 1    | PTFE               | INSULATOR   | 2    |
|                   |  | 1    | 1    | BRASS ④            | BODY        | 1    |
|                   |  | 6--0 | 1--0 | MATERIAL           | DESCRIPTION | ITEM |
|                   |  | ②    | ①    |                    |             |      |
| QUANTITY PER ASSY |  |      |      | PARTS LIST         |             |      |

|  |  |                                   |  |  |  |  |
|--|--|-----------------------------------|--|--|--|--|
| THIS DRAWING IS A CONTROLLED DOCUMENT. |  | DWN<br>J.SANDWELL<br>12NOV03      | <b>STE</b> TE Connectivity                                   |  |  |  |
| DIMENSIONS:<br>mm                      |  | CHK<br>S.PARLOW<br>12NOV03        |  |  |  |  |
| TOLERANCES UNLESS OTHERWISE SPECIFIED: |  | APVD<br>F.WHEELER-KING<br>12NOV03 | NAME<br>MMCX STRAIGHT PCB MOUNT SOCKET RECEPTACLE<br>50 OHMS |  |  |  |
| 0 PLC ± -                              |  | PRODUCT SPEC<br>108-3462          | SIZE   |  |  |  |
| 1 PLC ± -                              |  | APPLICATION SPEC<br>411-3280      | CAGE CODE  |  |  |  |
| 2 PLC ± -                              |  | WEIGHT<br>-                       | DRAWING NO<br>A300779  |  |  |  |
| 3 PLC ± -                              |  | MATERIAL<br>SEE TABLE             | RESTRICTED TO<br>-   |  |  |  |
| 4 PLC ± -                              |  |                                   | SCALE<br>NTS   |  |  |  |
| ANGLES ± -                             |  | SHEET<br>1 OF 1                   |  |  |  |  |
| FINISH<br>SEE TABLE                    |  | REV<br>C1                         |  |  |  |  |
|  |  | CUSTOMER DRAWING                  |  |  |  |  |