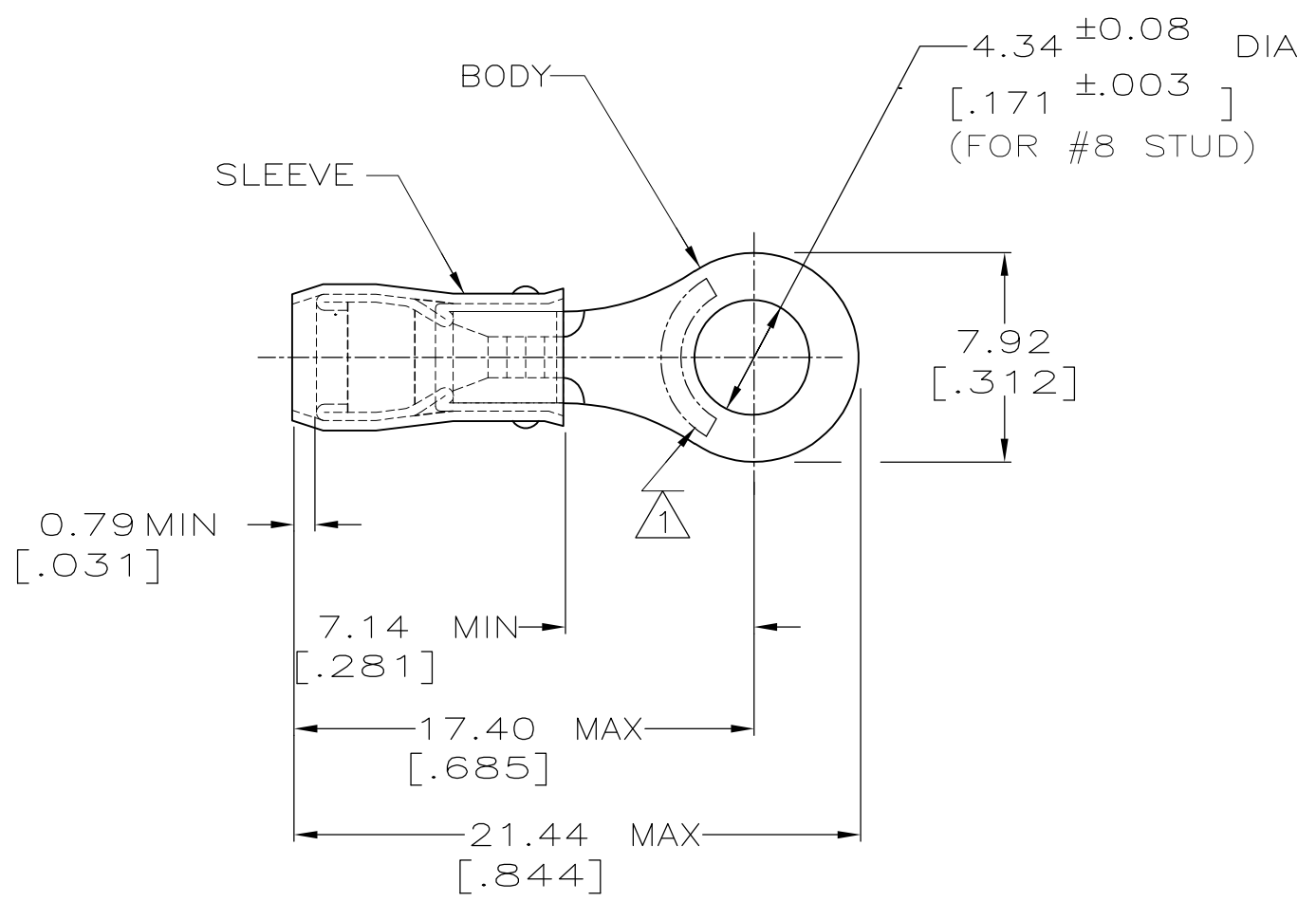


THIS DRAWING IS UNPUBLISHED. RELEASED FOR PUBLICATION - , - .
 © COPYRIGHT - By - ALL RIGHTS RESERVED.

LOC	DIST	REVISIONS			
P	LTR	DESCRIPTION	DATE	DWN	APVD
G	14	Z2	REVISED PER ECO-11-010839	25MAY11	RK HMR

AMP WIRE RANGE	E13288 Listed	LR7189 Certified
22-16 AWG SOLID OR STRANDED	22-16 AWG SOLID OR STRANDED	22-16 AWG SOLID OR STRANDED



- 1 STAMP AMP 22-18* APPROX AS SHOWN
22-16 TERMINALS ARE STAMPED 22-18 IN ACCORDANCE WITH MILITARY SPEC MIL-T-7928
COMMERCIAL WIRE RANGE IS 22-16
- 2 WIRE INSULATION DIA: 2.03 - 3.18
[.080 - .125]
- 3 TONGUE MATERIAL THK: 0.79±0.05
[.031±.002]

MILITARY P/N AND CLASS	QUANTITY	PACKAGE TYPE	PART NO
-	100	LOOSE PIECE, BOX	6-320551-1
MS25036-149 CLASS 2	5000	ON TAPE, REEL	1-320551-1
MS25036-149 CLASS 1 & 2	1000	LOOSE PIECE	320551

AMP INCORPORATED CUSTOMER SERVICE SYSTEMS		MAX RECOMMENDED OPERATING TEMPERATURE: 105° C MAX
FOR ADDITIONAL PRODUCT INFORMATION OR COPIES OF DRAWINGS AND TECHNICAL DOCUMENTS	PRODUCT INFORMATION CENTER 1-800-522-6752	VOLTAGE RATING: 300 V MAX
FOR APPLICATION TOOLING INFORMATION	TOOLING ASSISTANCE CENTER 1-800-722-1111	CIRCULAR MIL AREA: 0.26-1.65mm ² [509-3,260] CIR MILS SOLID OR STRANDED
FOR ORDER ENTRY	1-800-526-5142	

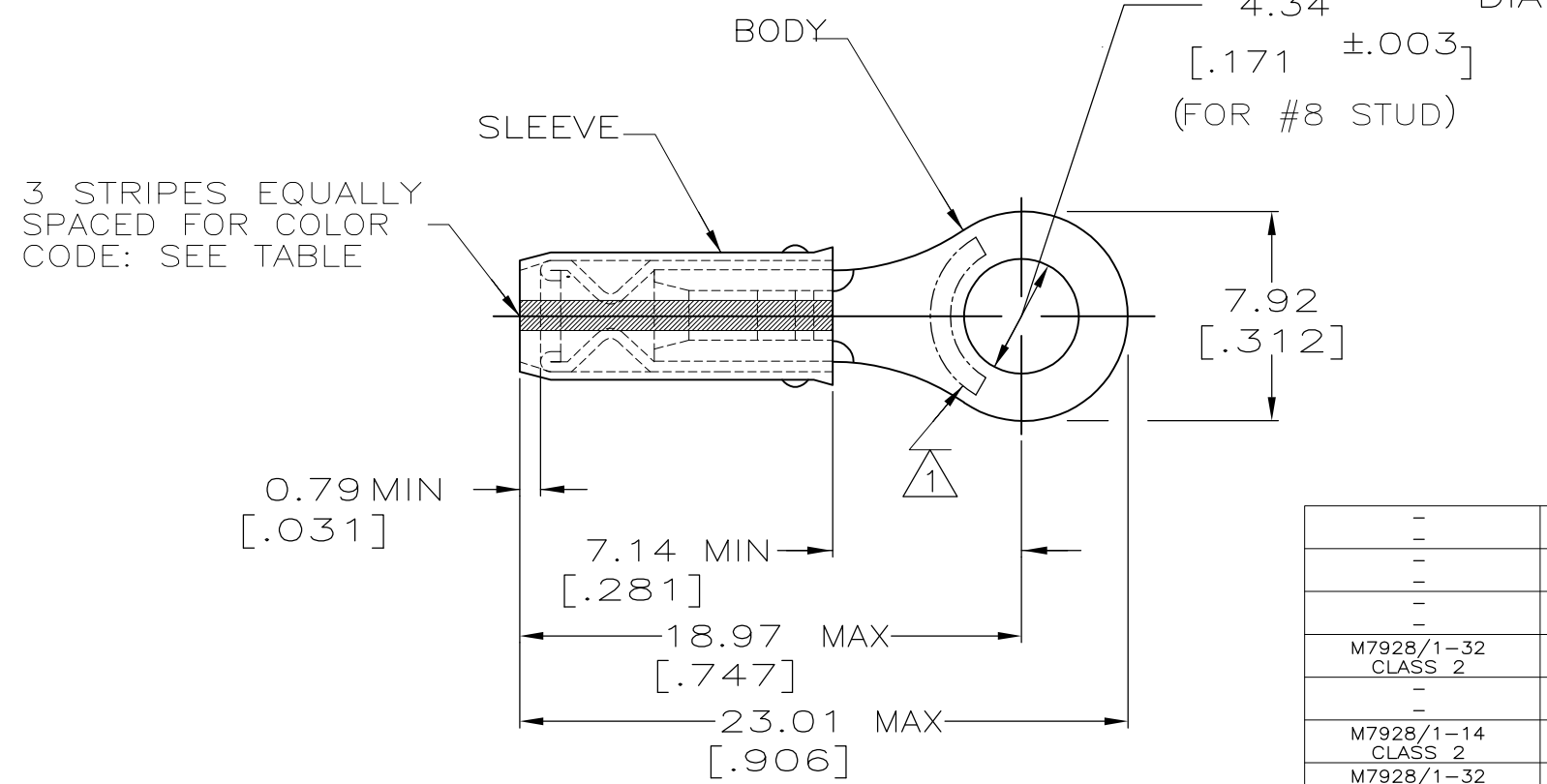
THIS DRAWING IS A CONTROLLED DOCUMENT.		DWN DK SCHRUM 9/8/93	TE Connectivity			
DIMENSIONS: MM[INCHES]		CHK RE HERSEY 9/8/93				
		APVD ML ELLIS 9/8/93				
		PRODUCT SPEC UL 486A				
TOLERANCES UNLESS OTHERWISE SPECIFIED: 0 PLC ± - 1 PLC ± - 2 PLC ± 0.20[.008] 3 PLC ± - 4 PLC ± - ANGLES ± -		APPLICATION SPEC NOT AVAILABLE	NAME TERMINAL, RING TONGUE, PIDG™, WIRE SIZE, 26-16 AWG			
MATERIAL COPPER PER ASTM B-152 SLEEVE, RED NYLON		FINISH TIN PLATE PER ASTM B545	SIZE A3	CAGE CODE 00779	DRAWING NO C-320551	RESTRICTED TO -
CUSTOMER DRAWING			SCALE NTS	SHEET 1 OF 2	REV Z2	

LOC	DIST	REVISIONS					
G	14	P	LTR	DESCRIPTION	DATE	DWN	APVD
		-		SEE SHEET 1	-	-	-

AMP
WIRE RANGE

SEE TABLE
STRANDED

- 1 STAMP AMP APPROX AS SHOWN
SEE TABLE BELOW
- 2 WIRE INSULATION DIA: 0.97 - 2.79 FOR 22 AWG
[.038 - .110]
1.17 - 2.79 FOR 20 AWG
[.046 - .110]
1.42 - 2.79 FOR 18 AWG
[.056 - .110]
- 3 TONGUE MATERIAL THK: 0.79 ± 0.05
[.031 ± .002]



MILITARY P/N AND CLASS	STRIPE COLOR	STAMPING	WIRE SIZE	QUANTITY	PACKAGE TYPE	PART NO
-	WHITE	18*	18	100	LOOSE PIECE, BOX	9-320551-1
-	RED	20*	20	100	LOOSE PIECE, BOX	8-320551-1
-	GREEN	22*	22	100	LOOSE PIECE, BOX	7-320551-1
M7928/1-32 CLASS 2	WHITE	18*	18	5000	ON TAPE, REEL	1-320551-8
-	RED	20*	20	5000	ON TAPE, REEL	1-320551-7
M7928/1-14 CLASS 2	GREEN	22*	22	5000	ON TAPE, REEL	1-320551-5
M7928/1-32 CLASS 1 & 2	WHITE	18*	18	1000	LOOSE PIECE	1-320551-4
M7928/1-23 CLASS 1 & 2	RED	20*	20	1000	LOOSE PIECE	1-320551-3
M7928/1-14 CLASS 1 & 2	GREEN	22*	22	1000	LOOSE PIECE	1-320551-2

AMP INCORPORATED
CUSTOMER SERVICE SYSTEMS

FOR ADDITIONAL PRODUCT INFORMATION OR COPIES OF DRAWINGS AND TECHNICAL DOCUMENTS
 PRODUCT INFORMATION CENTER
 1-800-522-6752

FOR APPLICATION TOOLING INFORMATION
 TOOLING ASSISTANCE CENTER
 1-800-722-1111

FOR ORDER ENTRY
 1-800-526-5142

MAX RECOMMENDED OPERATING TEMPERATURE: 105° C MAX

VOLTAGE RATING: 300 V MAX

WIRE RANGE: 22, 20, 18
 CIRC MIL AREA: 0.38mm² [754], 0.60mm² [1,186], 0.96mm² [1,900]
 STRANDED

THIS DRAWING IS A CONTROLLED DOCUMENT.

DIMENSIONS: mm [INCHES]

TOLERANCES UNLESS OTHERWISE SPECIFIED:
 0 PLC ± -
 1 PLC ± -
 2 PLC ± 0.20[.008]
 3 PLC ± -
 4 PLC ANGLES ± -

MATERIAL: COPPER PER ASTM B-152 SLEEVE, RED NYLON
 FINISH: TIN PLATE PER ASTM B545

OWN: DK SCHRUM 9/8/93
 CHK: RE HERSEY 9/8/93
 APVD: ML ELLIS 9/8/93

PRODUCT SPEC: -
 APPLICATION SPEC: NOT AVAILABLE
 WEIGHT: -

STE TE Connectivity

NAME: TERMINAL, RING TONGUE, I.R., PIDG™ WIRE SIZE, 22-16 AWG

SIZE: A3 CAGE CODE: 00779 DRAWING NO: C-320551 RESTRICTED TO: -

CUSTOMER DRAWING SCALE: NTS SHEET: 2 OF 2 REV: Z2