

### Radial Lead Type

Series: **EB** Type: **A**



#### ■ Features

- Endurance : +105 °C 5000 h to 10000 h
- High ripple high frequency (High Voltage)
- RoHS directive compliant

#### ■ Specifications

Category Temp. Range	-40 °C to +105 °C	-25 °C to +105 °C
Rated W.V. Range	10 V.DC to 63 V.DC	160 V.DC to 450 V.DC
Nominal Cap. Range	2.2 μF to 3300 μF	10 μF to 330 μF
Capacitance Tolerance	±20 % (120 Hz/+20 °C)	
DC Leakage Current	I ≤ 0.01 CV or 3 (μA) After 2 minutes application of rated working voltage at +20 °C (Whichever is greater)	
tan δ	Please see the attached standard products list	
Endurance	After following life test with DC voltage and +105 °C±2 °C ripple current value applied (The sum of DC and ripple peak voltage shall not exceed the rated working voltage), when the capacitors are restored to 20 °C, the capacitors shall meet the limits specified below.	
	(10 to 63 V.DC) Duration : φ5×11 to φ8×11.5 : 5000 hours φ8×15 to φ12.5×25 : 10000 hours	
	Capacitance change	±30 % of initial measured value
	tan δ	≤ 300 % of initial specified value
	DC leakage current	≤ initial specified value
	(160 to 450 V.DC) Duration : 5000 hours	
	Capacitance change	±20 % of initial measured value
	tan δ	≤ 200 % of initial specified value
Shelf Life	After storage for 1000 hours at +105 °C±2 °C with no voltage applied and then being stabilized at +20 °C, capacitors shall meet the limits specified in Endurance. (With voltage treatment)	

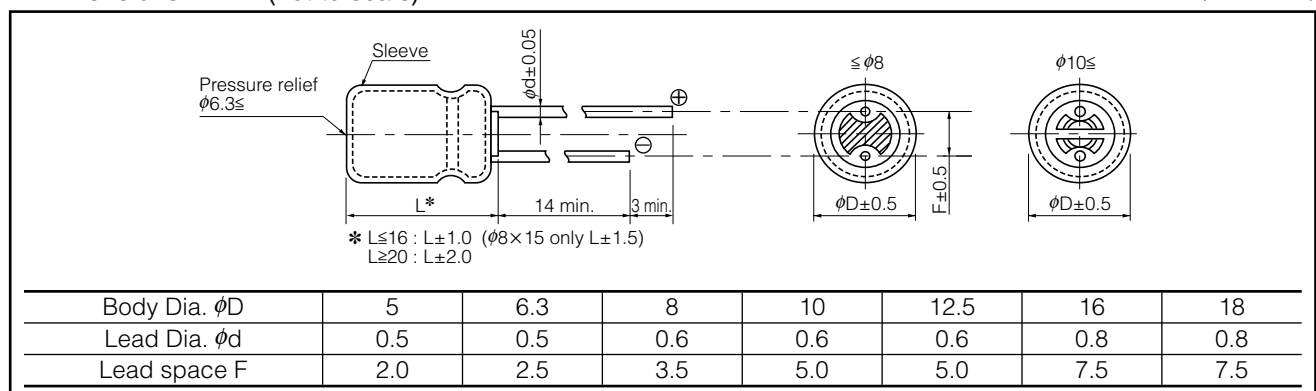
#### ■ Frequency correction factor for ripple current (10 ~ 63 V.DC)

Capacitance (μF)	Frequency (Hz)				
	60	120	1 k	10 k	100 k
2.2 to 10	0.75	1.00	1.40	1.55	1.65
22 to 470	0.85	1.00	1.20	1.25	1.30
1000 to 3300	0.95	1.00	1.05	1.10	1.15

W. V. (V. DC)	Frequency (Hz)			
	120	1 k	10 k to 30k	30 k to 100k
160 to 250	0.55	0.85	0.90	1.00
350 to 450	0.50	0.80	0.90	1.00

#### ■ Dimensions in mm (not to scale)

(Unit : mm)



Design and specifications are each subject to change without notice. Ask factory for the current technical specifications before purchase and/or use. Should a safety concern arise regarding this product, please be sure to contact us immediately.

05 Jun. 2015

### Standard Products

Endurance : 105 °C  $\phi 5 \times 11$  to  $\phi 8 \times 11.5 = 5000$  h,  $\phi 8 \times 15$  to  $\phi 12.5 \times 25 = 10000$  h

W.V. (V)	Cap. ( $\pm 20\%$ ) ( $\mu\text{F}$ )	Case size		Specification			Lead Length				Part No.	Min. Packaging Qty	
		Dia. (mm)	Length (mm)	Ripple Current (120 Hz) (+105 °C) (mA r.m.s.)	$\tan \delta$ (120 Hz) (+20 °C)	Endurance (hours)	Lead Dia. (mm)	Lead Space				Straight Leads (pcs)	Taping (pcs)
								Straight (mm)	Taping *B (mm)	Taping *H (mm)			
10	100	5	11	66	0.30	5000	0.5	2.0	5.0	2.5	EEUEB1A101S( )	200	2000
	220	6.3	11.2	100	0.30	5000	0.5	2.5	5.0	2.5	EEUEB1A221S( )	200	2000
	470	8	15	278	0.30	10000	0.6	3.5	5.0		EEUEB1A471( )	200	1000
		8	11.5	180	0.30	5000	0.6	3.5	5.0		EEUEB1A471S( )	200	1000
	2200	12.5	20	540	0.32	10000	0.6	5.0	5.0		EEUEB1A222( )	200	500
	3300	12.5	25	802	0.34	10000	0.6	5.0	5.0		EEUEB1A332( )	200	500
16	1000	10	20	430	0.25	10000	0.6	5.0	5.0		EEUEB1C102( )	200	500
	2200	12.5	25	706	0.27	10000	0.6	5.0	5.0		EEUEB1C222( )	200	500
25	47	5	11	55	0.22	5000	0.5	2.0	5.0	2.5	EEUEB1E470S( )	200	2000
	100	6.3	11.2	95	0.22	5000	0.5	2.5	5.0	2.5	EEUEB1E101S( )	200	2000
	220	8	11.5	125	0.22	5000	0.6	3.5	5.0		EEUEB1E221S( )	200	1000
	330	8	15	255	0.22	10000	0.6	3.5	5.0		EEUEB1E331( )	200	1000
	470	10	16	321	0.22	10000	0.6	5.0	5.0		EEUEB1E471( )	200	500
	1000	12.5	20	498	0.22	10000	0.6	5.0	5.0		EEUEB1E102( )	200	500
35	33	5	11	46	0.18	5000	0.5	2.0	5.0	2.5	EEUEB1V330S( )	200	2000
	220	8	15	197	0.18	10000	0.6	3.5	5.0		EEUEB1V221( )	200	1000
	330	10	16	278	0.18	10000	0.6	5.0	5.0		EEUEB1V331( )	200	500
	470	10	20	349	0.18	10000	0.6	5.0	5.0		EEUEB1V471( )	200	500
	1000	12.5	25	586	0.18	10000	0.6	5.0	5.0		EEUEB1V102( )	200	500
50	2.2	5	11	15	0.15	5000	0.5	2.0	5.0	2.5	EEUEB1H2R2S( )	200	2000
	3.3	5	11	18	0.15	5000	0.5	2.0	5.0	2.5	EEUEB1H3R3S( )	200	2000
	4.7	5	11	18	0.15	5000	0.5	2.0	5.0	2.5	EEUEB1H4R7S( )	200	2000
	10	5	11	27	0.15	5000	0.5	2.0	5.0	2.5	EEUEB1H100S( )	200	2000
	22	5	11	39	0.15	5000	0.5	2.0	5.0	2.5	EEUEB1H220S( )	200	2000
	47	6.3	11.2	61	0.15	5000	0.5	2.5	5.0	2.5	EEUEB1H470S( )	200	2000
	100	8	11.5	99	0.15	5000	0.6	3.5	5.0		EEUEB1H101S( )	200	1000
	220	10	16	234	0.15	10000	0.6	5.0	5.0		EEUEB1H221( )	200	500
	330	10	20	293	0.15	10000	0.6	5.0	5.0		EEUEB1H331( )	200	500
	470	12.5	20	370	0.15	10000	0.6	5.0	5.0		EEUEB1H471( )	200	500
63	2.2	5	11	16.5	0.12	5000	0.5	2.0	5.0	2.5	EEUEB1J2R2S( )	200	2000
	3.3	5	11	20	0.12	5000	0.5	2.0	5.0	2.5	EEUEB1J3R3S( )	200	2000
	4.7	5	11	23	0.12	5000	0.5	2.0	5.0	2.5	EEUEB1J4R7S( )	200	2000
	10	5	11	30	0.12	5000	0.5	2.0	5.0	2.5	EEUEB1J100S( )	200	2000
	22	6.3	11.2	40	0.12	5000	0.5	2.5	5.0	2.5	EEUEB1J220S( )	200	2000
	33	6.3	11.2	50	0.12	5000	0.5	2.5	5.0	2.5	EEUEB1J330S( )	200	2000
	47	8	15	94	0.12	10000	0.6	3.5	5.0		EEUEB1J470( )	200	1000
		8	11.5	80	0.12	5000	0.6	3.5	5.0		EEUEB1J470S( )	200	1000
	100	8	15	180	0.12	10000	0.6	3.5	5.0		EEUEB1J101( )	200	1000
	220	10	20	292	0.12	10000	0.6	5.0	5.0		EEUEB1J221( )	200	500
	330	12.5	20	381	0.12	10000	0.6	5.0	5.0		EEUEB1J331( )	200	500
470	12.5	25	454	0.12	10000	0.6	5.0	5.0		EEUEB1J471( )	200	500	

- When requesting taped product, please put the letter "B" or "H" between the "( )". Lead wire pitch \*B=5 mm, 7.5 mm, H=2.5 mm.
- Please refer to the page of "Taping Dimensions".

### Standard Products

Endurance : 105 °C 5000 h

W.V. (V)	Cap. (±20 %) (μF)	Case size		Specification			Lead Length			Part No.	Min. Packaging Q'ty		
		Dia. (mm)	Length (mm)	Ripple Current (100 kHz) (+105 °C) (mA r.m.s.)	tan δ (120 Hz) (+20 °C)	Endurance (hours)	Lead Dia. (mm)	Lead Space			Straight Leads (pcs)	Taping (pcs)	
								Straight (mm)	Taping *B (mm)				
160	22	10	20	470	0.15	5000	0.6	5.0	5.0	EEUEB2C220( )	200	500	
	33	10	20	470	0.15	5000	0.6	5.0	5.0	EEUEB2C330( )	200	500	
	47	12.5	20	600	0.15	5000	0.6	5.0	5.0	EEUEB2C470( )	200	500	
	68	12.5	25	750	0.15	5000	0.6	5.0	5.0	EEUEB2C680( )	200	500	
		16	20	750	0.15	5000	0.8	7.5	7.5	EEUEB2C680S( )	100	250	
	100	16	25	1060	0.15	5000	0.8	7.5	7.5	EEUEB2C101( )	100	250	
		18	20	1060	0.15	5000	0.8	7.5	7.5	EEUEB2C101S( )	100	250	
	150	16	31.5	1280	0.15	5000	0.8	7.5	–	EEUEB2C151	100	–	
		18	25	1280	0.15	5000	0.8	7.5	7.5	EEUEB2C151S( )	100	250	
	220	16	31.5	1280	0.15	5000	0.8	7.5	–	EEUEB2C221	100	–	
18		25	1280	0.15	5000	0.8	7.5	7.5	EEUEB2C221S( )	100	250		
330	18	31.5	1690	0.15	5000	0.8	7.5	–	EEUEB2C331	50	–		
200	22	10	20	470	0.15	5000	0.6	5.0	5.0	EEUEB2D220( )	200	500	
	33	12.5	20	600	0.15	5000	0.6	5.0	5.0	EEUEB2D330( )	200	500	
	47	12.5	20	600	0.15	5000	0.6	5.0	5.0	EEUEB2D470( )	200	500	
	68	12.5	25	750	0.15	5000	0.6	5.0	5.0	EEUEB2D680( )	200	500	
		16	20	750	0.15	5000	0.8	7.5	7.5	EEUEB2D680S( )	100	250	
	100	16	25	1060	0.15	5000	0.8	7.5	7.5	EEUEB2D101( )	100	250	
		18	20	1060	0.15	5000	0.8	7.5	7.5	EEUEB2D101S( )	100	250	
	150	16	31.5	1280	0.15	5000	0.8	7.5	–	EEUEB2D151	100	–	
		18	25	1280	0.15	5000	0.8	7.5	7.5	EEUEB2D151S( )	100	250	
	220	18	31.5	1690	0.15	5000	0.8	7.5	–	EEUEB2D221	50	–	
250	22	12.5	20	560	0.15	5000	0.6	5.0	5.0	EEUEB2E220( )	200	500	
	33	12.5	20	560	0.15	5000	0.6	5.0	5.0	EEUEB2E330( )	200	500	
	47	12.5	25	710	0.15	5000	0.6	5.0	5.0	EEUEB2E470( )	200	500	
		16	20	710	0.15	5000	0.8	7.5	7.5	EEUEB2E470S( )	100	250	
	68	16	25	990	0.15	5000	0.8	7.5	7.5	EEUEB2E680( )	100	250	
		18	20	990	0.15	5000	0.8	7.5	7.5	EEUEB2E680S( )	100	250	
	100	16	31.5	1200	0.15	5000	0.8	7.5	–	EEUEB2E101	100	–	
		18	25	1200	0.15	5000	0.8	7.5	7.5	EEUEB2E101S( )	100	250	
	150	18	31.5	1470	0.15	5000	0.8	7.5	–	EEUEB2E151	50	–	
	350	10	10	20	270	0.20	5000	0.6	5.0	5.0	EEUEB2V100( )	200	500
22		12.5	20	350	0.20	5000	0.6	5.0	5.0	EEUEB2V220( )	200	500	
33		16	20	480	0.20	5000	0.8	7.5	7.5	EEUEB2V330S( )	100	250	
47		16	25	640	0.20	5000	0.8	7.5	7.5	EEUEB2V470( )	100	250	
		18	20	640	0.20	5000	0.8	7.5	7.5	EEUEB2V470S( )	100	250	
68		16	31.5	780	0.20	5000	0.8	7.5	–	EEUEB2V680	100	–	
		18	25	780	0.20	5000	0.8	7.5	7.5	EEUEB2V680S( )	100	250	
100		18	31.5	970	0.20	5000	0.8	7.5	–	EEUEB2V101	50	–	
400		10	10	20	250	0.24	5000	0.6	5.0	5.0	EEUEB2G100( )	200	500
		22	12.5	25	410	0.24	5000	0.6	5.0	5.0	EEUEB2G220( )	200	500
	16		20	410	0.24	5000	0.8	7.5	7.5	EEUEB2G220S( )	100	250	
	33	16	25	600	0.24	5000	0.8	7.5	7.5	EEUEB2G330( )	100	250	
		18	20	600	0.24	5000	0.8	7.5	7.5	EEUEB2G330S( )	100	250	
	47	16	31.5	730	0.24	5000	0.8	7.5	–	EEUEB2G470	100	–	
		18	25	730	0.24	5000	0.8	7.5	7.5	EEUEB2G470S( )	100	250	
	450	10	12.5	20	310	0.24	5000	0.6	5.0	5.0	EEUEB2W100( )	200	500
		22	16	25	560	0.24	5000	0.8	7.5	7.5	EEUEB2W220( )	100	250
			18	20	560	0.24	5000	0.8	7.5	7.5	EEUEB2W220S( )	100	250
33		16	31.5	680	0.24	5000	0.8	7.5	–	EEUEB2W330( )	100	–	
		18	25	680	0.24	5000	0.8	7.5	7.5	EEUEB2W330S( )	100	250	
47		18	31.5	850	0.24	5000	0.8	7.5	–	EEUEB2W470	50	–	

- When requesting taped product, please put the letter "B" between the "( )". Lead wire pitch \*B=5 mm, 7.5 mm.
- Please refer to the page of "Taping Dimensions".

Design and specifications are each subject to change without notice. Ask factory for the current technical specifications before purchase and/or use.  
Should a safety concern arise regarding this product, please be sure to contact us immediately.