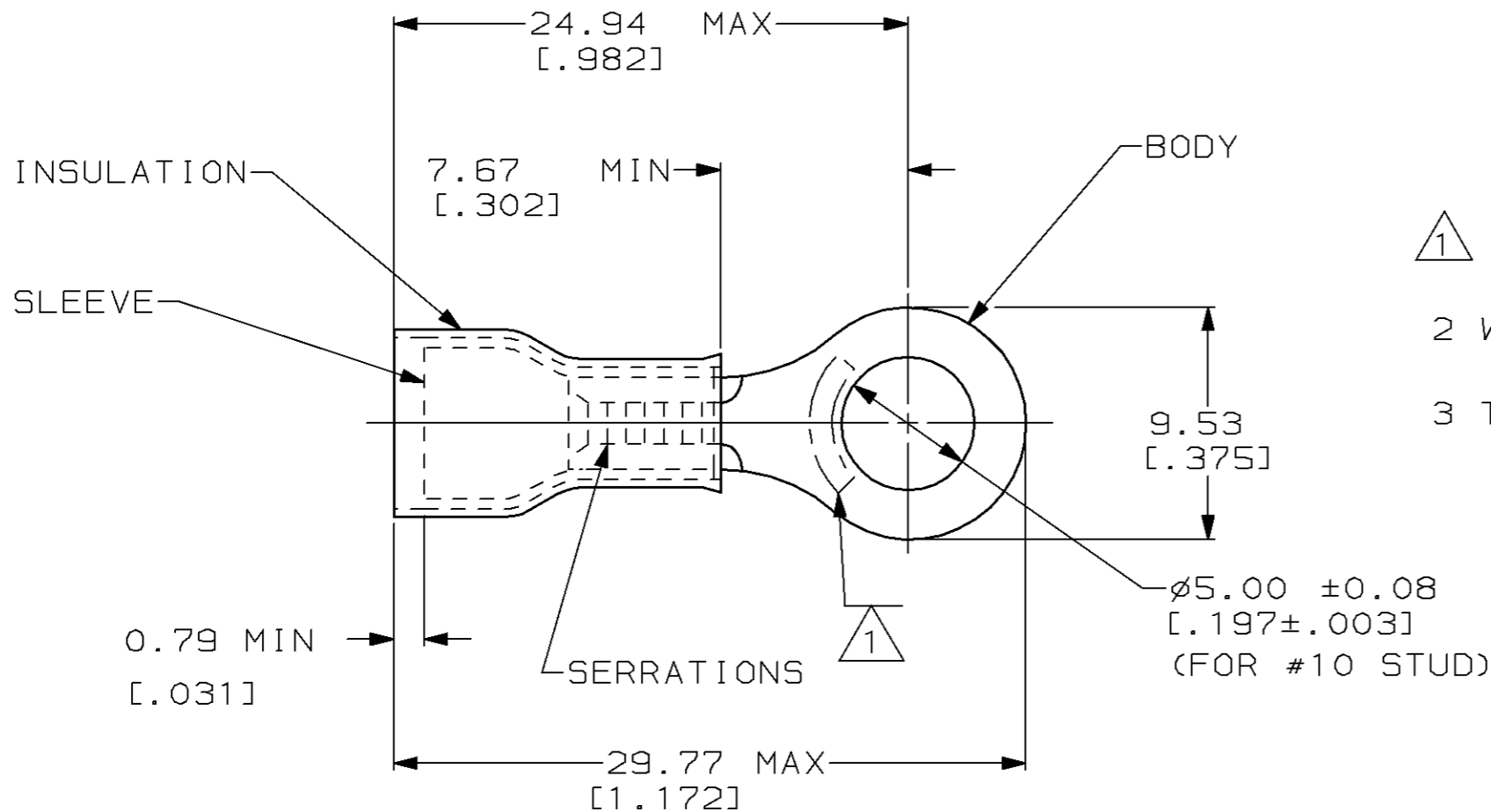


THIS DRAWING IS UNPUBLISHED. RELEASED FOR PUBLICATION ,19 .  
 © COPYRIGHT 19 BY AMP INCORPORATED. ALL RIGHTS RESERVED.

LOC	DIST	REVISIONS			
P	LTR	DESCRIPTION	DATE	DWN	APVD
G	14	G	REV / 0L20-0197-97	21AUG97	MLE SB

<b>AMP</b> WIRE RANGE	E13288	LR7189 Certified
12-10 AWG SOLID OR STRANDED	12-10 AWG SOLID OR STRANDED	12-10 AWG SOLID OR STRANDED



- 1 STAMP AMP 12-10\* APPROX AS SHOWN
- 2 WIRE INSUL DIA, 4.32-7.62 [.170-.300]
- 3 TONGUE MATERIAL THK, 0.99±0.05 [.039±.002]

QTY	PACKAGE TYPE	PART NO
50	LOOSE PIECE, BOX	8-35364-2
1500	ON TAPE, REEL	2-35364-1
500	LOOSE PIECE	35364

AMP INCORPORATED CUSTOMER SERVICE SYSTEM		MAX RECOMMENDED OPERATING TEMPERATURE: 105° C (221° F)		THIS DRAWING IS A CONTROLLED DOCUMENT FOR AMP INCORPORATED. IT IS SUBJECT TO CHANGE AND THE CONTROLLING ENGINEERING ORGANIZATION SHOULD BE CONTACTED FOR THE LATEST REVISION.		DWN M ELLIS 17APR95		AMP Incorporated	
FOR ADDITIONAL PRODUCT INFORMATION OR COPIES OF DRAWINGS AND TECHNICAL DOCUMENTS		PRODUCT INFORMATION CENTER 1-800-522-6752		DIMENSIONS: mm [in]		TOLERANCES UNLESS OTHERWISE SPECIFIED:		AMP Harrisburg, PA 17105-3608	
FOR APPLICATION TOOLING INFORMATION		TOOLING ASSISTANCE CENTER 1-800-722-1111		VOLTAGE RATING: - 300V MAX		0 PLC ±- 1 PLC ±- 2 PLC ±0.20 [.008] 3 PLC ±- 4 PLC ±- ANGLES ±-		NAME N BIRCH	
FOR ORDER ENTRY		1-800-526-5142		CIRCULAR MIL AREA: 2.63mm² -6.64mm² [5180-13100]		MATERIAL BODY, SLV, COPPER PER ASTM B 152 INSUL, PVC, COLOR, YELLOW		PRODUCT SPEC UL 486A	
						FINISH BODY & SLV, TIN PLATE PER ASTM B 545		APPLICATION SPEC -	
						WEIGHT -		SIZE A3	
						CUSTOMER DRAWING		CAGE CODE 00779	
								DRAWING NO C-35364	
								SCALE 4:1	
								SHEET 1 OF 1	
								REV G	