

Customer Information Sheet

DRAWING No.: M30-610XX46

SHEET 3 OF 3

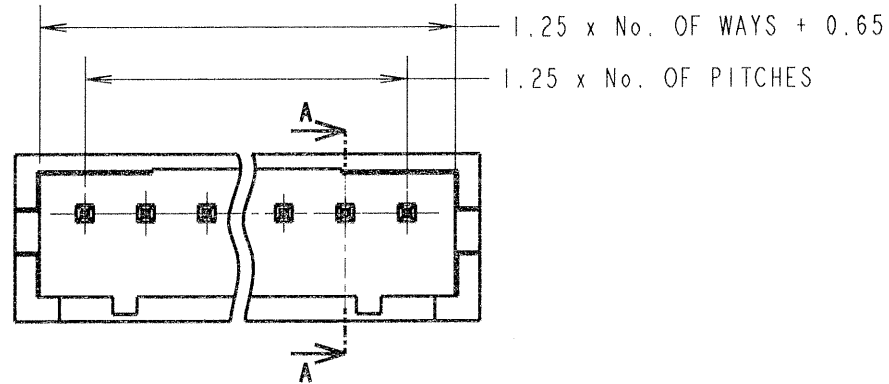
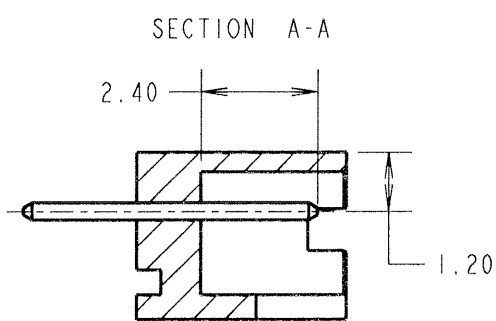
IF IN DOUBT - ASK



NOT TO SCALE

THIRD ANGLE PROJECTION

ALL DIMENSIONS IN mm

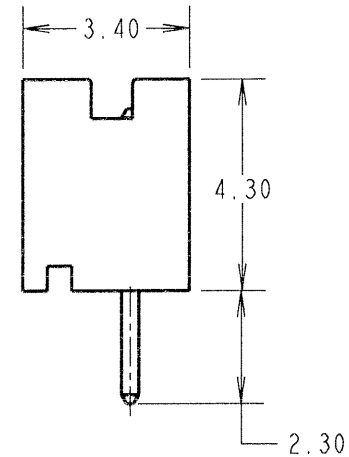
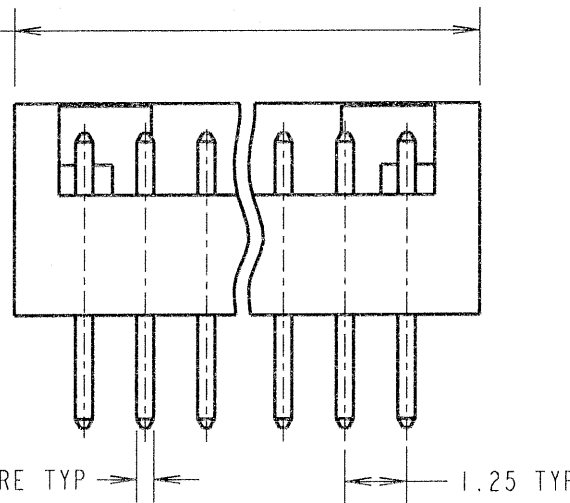


ORDER CODE:
M30-610XX46
 No. OF CONTACTS PER ROW
 02 TO 15
 FINISH:
 46 = 100% TIN

SPECIFICATION:

MATERIAL:
 MOULDING = POLYAMIDE 46 OR 6T, UL94V-0, NATURAL
 CONTACTS = BRASS
FINISH:
 CONTACTS = 100% TIN
ELECTRICAL:
 CURRENT RATING = 1A AC/DC
 VOLTAGE RATING = 150V AC/DC
 DIELECTRIC STRENGTH = 500V AC
 INSULATION RESISTANCE = 1,000 MEGOHMS MIN
 DIELECTRIC WITHSTANDING VOLTAGE = 500V AC
ENVIRONMENTAL:
 TEMPERATURE RANGE = -55°C TO +85°C
PACKING:
 TUBE
 FOR COMPLETE SPECIFICATIONS, SEE COMPONENT
 SPECIFICATION C025XX (LATEST ISSUE)

1.25 x No. OF WAYS + 1.65



NOTES:

- ALL TOLERANCES ARE $\pm 0.30\text{mm}$ UNLESS OTHERWISE STATED.
- MATES WITH M30-1000046 CRIMP CONTACTS AND M30-110XX00 CRIMP MOULDING.
- RECOMMENDED MOUNTING HOLE SIZE = $\varnothing 0.60 \pm 0.03\text{mm}$.

JMB	6	23.01.06	8988
NAME	ISS.	DATE	C/NOTE
APPROVED: <i>[Signature]</i>			
CHECKED: <i>[Signature]</i>			
DRAWN: W. BOURNE			
CUSTOMER REF.:			
ASSEMBLY DRG:			

HARWIN

THIS DRAWING AND ANY INFORMATION OR DESCRIPTIVE MATTER SET OUT HEREON ARE CONFIDENTIAL AND COPYRIGHT PROPERTY OF THE HARWIN GROUP AND MUST NOT BE DISCLOSED, LOANED, COPIED OR USED FOR MANUFACTURING, TENDERING OR FOR ANY OTHER PURPOSE WITHOUT THEIR WRITTEN PERMISSION.

TOLERANCES
~~X = $\pm 1\text{mm}$~~
~~X.X = $\pm 0.25\text{mm}$~~
~~X.XX = $\pm 0.10\text{mm}$~~
~~X.XXX = $\pm 0.01\text{mm}$~~
 ANGLES = $\pm 5^\circ$
 UNLESS STATED

MATERIAL:
 SEE ABOVE
FINISH: SEE ABOVE
S/AREA: mm²

TITLE:
 1.25mm PITCH SIL PC TAIL
 BOARD MOUNT CONNECTOR

DRAWING NUMBER:
M30-610XX46

SHT
 3
 OF
 3

HARWIN INC U.S.A. TEL: (812) 542 2540 FAX: (812) 542 2541	HARWIN PLC U.K. TEL: 023 9231 4545 FAX: 023 9231 4590	HARWIN PTE SINGAPORE TEL: 65 6779 4909 FAX: 65 6779 3868
---	---	--