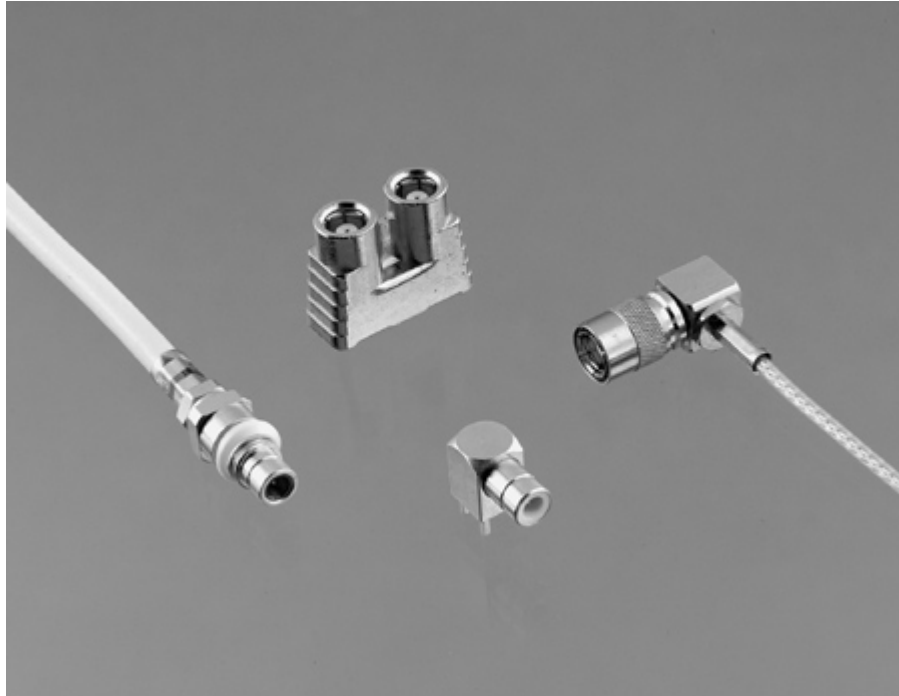


75 Ohm Coax

PART NUMBER: 051-153-9089A9A

Image Disclaimer:
 Please use Customer
 Drawing for design activity:
 line art and other pictures
 are general representations
 of product dimensions.



Product Family	RF
Product Group	RF - Type 43 (SMZ)
Market Application	Telecom
Component Type	Printed Circuit Board Connectors
Gender	Plug
Mounting Style	90° PCB
Packaging Type	Pack of 100
Plating	Center contact: Gold. Outer contacts: Gold. Other metal parts: Nickel, tin/lead, or zinc.
Product Description	90° PCB Jack
Connector Durability	250 mating cycles minimum
Contact Current Rating	1.5 A dc maximum
Insulation Resistance	5 G ohms minimum
Reflection Coefficient	Refer to CECC122300
Shock	490 m/S ² for 11ms
Operating Voltage	(dc or ac peak) At Sea Level, inner conductor to shell = 500 V
Impedance	75 ohms
Frequency Range 1	0 to 3.0 GHz
Contact Resistance	Center contact = 5.0 m ohms maximum Outer contact = 1.0 m ohms maximum
Material	Body components: Copper or zinc alloy. Center contacts, male/female: Copper alloy. Insulators: PTFE or thermoset plastic. Crimp ferrules: Annealed copper alloy.
Contact Retention	21 N (4.7 lbs.)
Insulation Retention	21 N (4.7 lbs.)
Vibration Severity	(a) Frequency range: 10 Hz to 500 Hz. (b) Displacement 0,75 (.029), cross over at approximately 60 Hz. (c) Acceleration 98 m/s ²

(321 ft./s²), cross over at approximately 60 Hz .
(d) Duration: 6 hours.

Impact Severity (Free specimens only)

5 impacts at 1 m

Climatic Category

40/100/21

Bump

4000 total at 390 m/s²

BT Coaxial Cable Type Reference

PLUG43/1E

Mounting Information

Mounting Plan A

Footnote

Dimension are shown in mm (inch). Dimensions subject to change.

For more information

Please Contact Cannon Sales Department .

Mounting Dimension A

5,08 (.200)

Mounting Dimension B

4X Ø1,85-1,70 (.080-.067) minimum

Mounting Dimension C

1X Ø1,35-1,17 (.053-.046) minimum

