

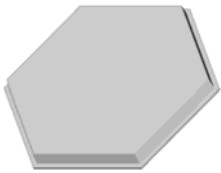


Our Focus is in Plastics

Polymer Optics Ltd.

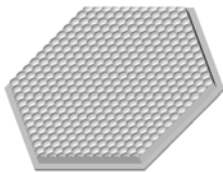
6 Kiln Ride, Wokingham,
Berks., RG40 3JL, England
Tel/Fax: +44 (0) 1189 893341
www.polymer-optics.co.uk

Converter Optics for Narrow Angle LED Colour Mixer Assembly

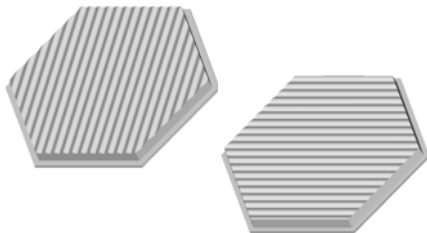


Plain Filter Holder - 160

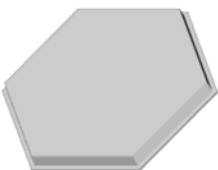
- 160 - Plain Filter Holder can be used with Luminet Light Shaping Diffuser films to produce a wide range of beam profiles, available from POL or direct from www.luminetco.com.
- Other custom beam angles can be produced cost effectively from POL's modular production tooling. Please enquire for details



25 Deg Diffuser - 161



6 x 25 Deg Line Diffusers – 162 & 162B



Soft Beam Diffuser - 163



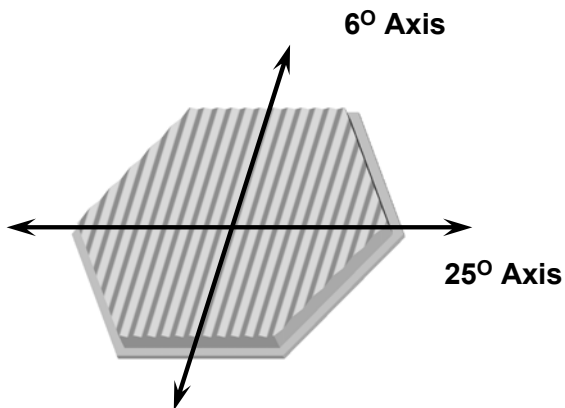


Our Focus is in Plastics

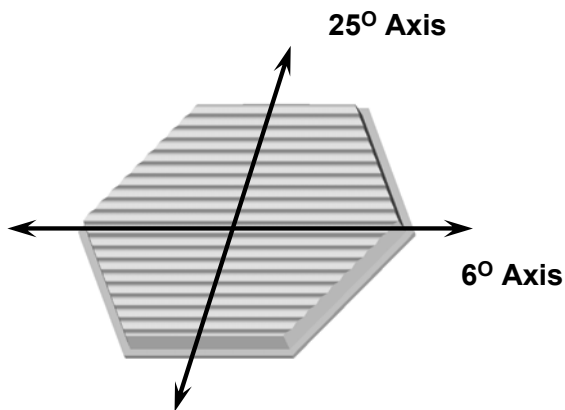
Polymer Optics Ltd.

6 Kiln Ride, Wokingham,
Berks., RG40 3JL, England
Tel/Fax: +44 (0) 1189 893341
www.polymer-optics.co.uk

Converter Optics for Narrow Angle LED Colour Mixer Assembly



6 x 25 Deg Line Diffusers – 162



6 x 25 Deg Line Diffusers – 162B

6 x 25 Deg Line Diffusers is available in two versions, the 162 and the 162B

These diffusers have the same optical function, but allow the beam to be spread in either orthogonal direction.

The 162 version can be used where multiple rows of optics are used and a close packed narrow array is required, along the axis of the linear beam output.

The 162B version can be used where single row linear fittings are required with the optics close packed together with the hexagonal flats placed side by side.

These 6 x 25 Deg Line Diffusers can also be mixed in optical arrays to produce other overall beam effects.