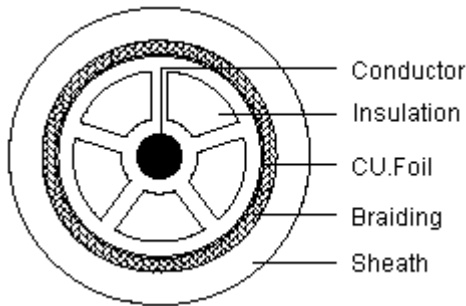
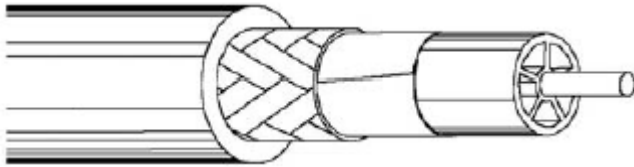


Digimax Coaxial Cable



Description:

Solid PACW, 5 cell, PE dielectric, Cu.Foil, PACW braiding 55% coverage, PVC sheath.

Application:

For CATV/MATV, broadband, HDTV and satellite broadcasting transmission use.

Construction:

Conductor:

Material : Solid bare copper 1.0mm.

Dielectric:

Material : 5 cell PE.
Nominal inner diameter : 4.65mm.

Shielding:

Material : Cu. foil 100% coverage.
Material : PACW braiding, 55% coverage.

Sheath:

Material : PVC.
Nominal outer diameter : 6.8mm.
Colour : Any.

Physical Properties:

Minimum bend radius : 68mm.
Operating temperature : -15°C to 70°C.

Electrical Properties:

Nominal DC resistance : 25.0Ω/km.
Nominal characteristic impedance : 75 ±3Ω.
Nominal capacitance : 55 ±2pF/minute.
Voltage test : Core to shielding : 1000V ac/1 minute.
Nominal velocity of propagation : 81 to 87%.

Coaxial Cable



Minimum return loss: (dB/100m).

(MHz)	5 to 30	30 to 470	470 to 862	862 to 2150
(dB)	23	23	20	18

Maximum attenuation (dB/100m)

MHz	5	50	100	200	460
dB	1.6	4.6	6.5	9.5	15.0
MHz	860	1000	1750	2150	***
dB	19.5	21.5	29.0	32.5	***

Part Number Table

Description	Part Number
Cable, Coax, S/A/SP, Black, 50M	CF0003 Black 50M
Cable, Coax, S/A/SP, Black, 100M	CF0003 Black 100M
Cable, Coax, S/A/SP, Black, 250M	CF0003 Black 250M
Cable, Coax, S/A/SP, White, 100M	CF0003 White 100M
Cable, Coax, S/A/SP, White, 250M	CF0003 White 250M

Disclaimer This data sheet and its contents (the "Information") belong to the Premier Farnell Group (the "Group") or are licensed to it. No licence is granted for the use of it other than for information purposes in connection with the products to which it relates. No licence of any intellectual property rights is granted. The Information is subject to change without notice and replaces all data sheets previously supplied. The Information supplied is believed to be accurate but the Group assumes no responsibility for its accuracy or completeness, any error in or omission from it or for any use made of it. Users of this data sheet should check for themselves the Information and the suitability of the products for their purpose and not make any assumptions based on information included or omitted. Liability for loss or damage resulting from any reliance on the Information or use of it (including liability resulting from negligence or where the Group was aware of the possibility of such loss or damage arising) is excluded. This will not operate to limit or restrict the Group's liability for death or personal injury resulting from its negligence. SPC pro-Power is the registered trademark of the Group. © Premier Farnell plc 2009.

<http://www.farnell.com>
<http://www.newark.com>
<http://www.cpc.co.uk>

