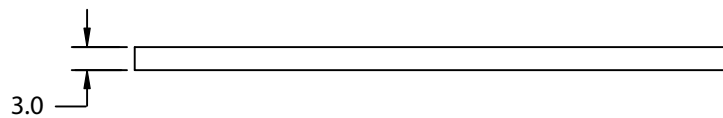
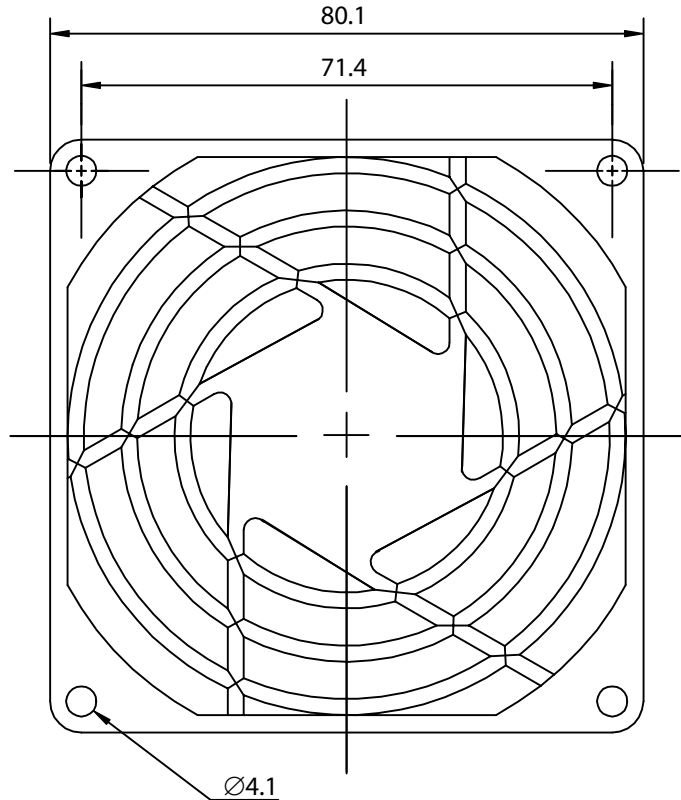


THESE DRAWINGS ARE THE PROPERTY OF QUALTEK ELECTRONICS AND NOT TO BE REPRODUCED FOR OR COMMUNICATED TO A THIRD PARTY WITHOUT THE EXPRESS WRITTEN PERMISSION OF AN OFFICER OF QUALTEK ELECTRONICS.

REVISION			
REV.	DESCRIPTION	DATE	APPROVED
B	RoHS Compliancy	06-01-06	DP
C	Updated Specifications	01-23-08	DP



NOTES:

MATERIAL: PBT4130 V-0
RoHS COMPLIANT

CONTROLLED

Dim range (mm)	Tolerance +/- (mm)	Qualtek Electronics Corp. FAN-S DIVISION		
		Part Number:	09080-G	RoHS Compliant
0-5	0.1	Description: PLASTIC FAN GUARD		
5-16	0.15		UNIT: mm	REV: C
16-64	0.2			
64-250	0.4			
250-1000	0.5	Drawn / Date	Checked / Date	Approved / Date
1000-1500	1.0	B. ZHANG 11-17-04	11-17-04	JJH / 11-17-04

Mouser Electronics

Authorized Distributor

Click to View Pricing, Inventory, Delivery & Lifecycle Information:

[Qualtek:](#)

[09080-G](#)