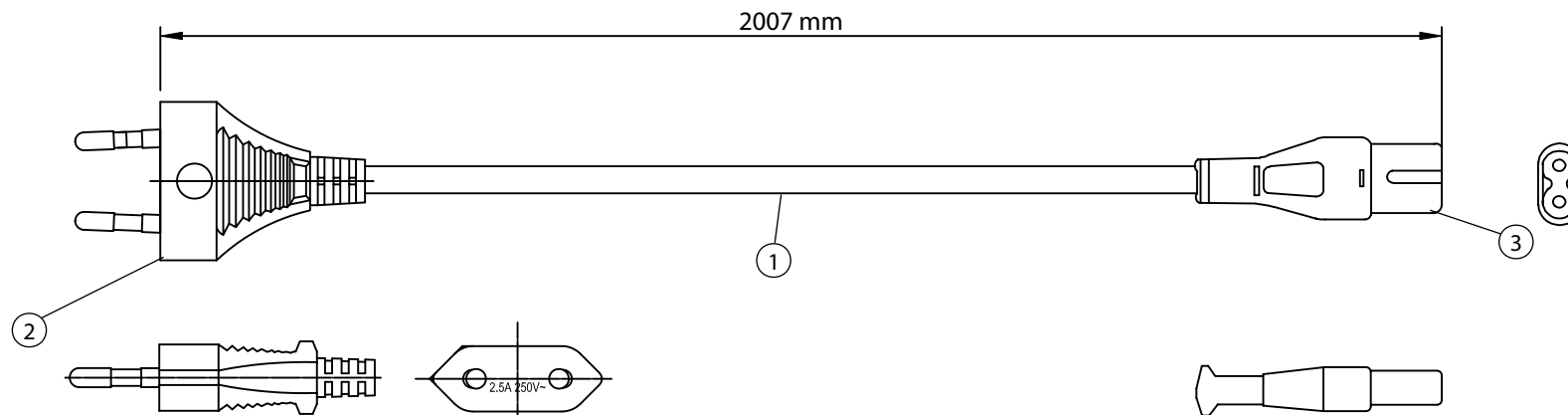


THESE DRAWINGS ARE THE PROPERTY OF QUALTEK ELECTRONICS AND NOT TO BE REPRODUCED FOR OR COMMUNICATED TO A THIRD PARTY WITHOUT THE EXPRESS WRITTEN PERMISSION OF AN OFFICER OF QUALTEK ELECTRONICS.

| REVISION |             |      |          |
|----------|-------------|------|----------|
| REV.     | DESCRIPTION | DATE | APPROVED |
|          |             |      |          |
|          |             |      |          |
|          |             |      |          |



**CONTROLLED**

NOTES:

1. CORDAGE: H03VVH2-F, 2x0.75mm, UNSHIELDED, CEE COLOR CODE, TEMP. RATING 70°C, RATING: 250V 2.5A, JACKET COLOR: BLACK
2. PLUG: IEC 884/EN 50 075
3. CONNECTOR: IEC 60320 C7
4. APPROVALS: GERMANY, SWITZERLAND, DENMARK, NORWAY, FINLAND, FRANCE, BELGIUM, ITALY, NETHERLANDS, SWEDEN, AUSTRIA
5. ROHS COMPLIANT

| Dim range (mm) |  | Tolerance +/- (mm) |  | <b>Qualtek Electronics Corp.</b><br>PPC DIVISION  |  |  |              |                |
|----------------|--|--------------------|--|---|--|--|--------------|----------------|
| 0-1            |  | 0.15               |  | Part Number: <b>360006-E01</b> <span style="border: 1px solid green; padding: 2px;">RoHS Compliant</span> |  |  |              |                |
| 1-6            |  | 0.20               |  | Description: <b>POWER CORD</b>  |  |  |              |                |
| 6-18           |  | 0.30               |  |   |  |  |              |                |
| 18-50          |  | 0.50               |  |   |  |  | UNIT: mm     |                |
| 50-120         |  | 0.70               |  |   |  |  | Drawn / Date | Checked / Date |
| 120-250        |  | 0.90               |  | R.Nuti<br>10-30-07  |  |  |              |                |
| 250-500        |  | 1.20               |  | 10-30-07<br>JJH / 10-30-07  |  |  |              |                |

# Mouser Electronics

Authorized Distributor

Click to View Pricing, Inventory, Delivery & Lifecycle Information:

[Qualtek:](#)

[360006-E01](#)