

FPG1



Fingergrip

Panel Mount · Fixing Nut · 5 x 20 mm



Standards

- IEC 60127-6
- UL 512
- CSA C22.2 no. 39

Approvals

- VDE License Number: 127216
- UL File Number: E39328

References

General Product Information
Accessories

Weblinks

Approvals: <http://www.schurter.com/approvals>
RoHS: <http://www.schurter.com/rohs>

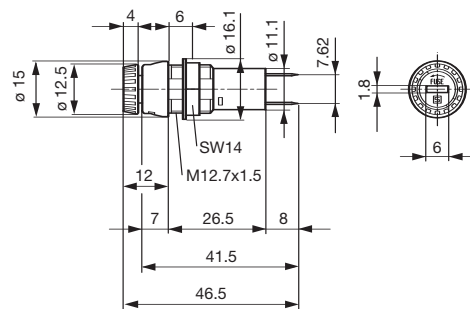
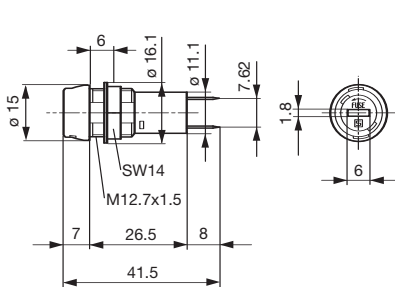
Technical Data

Shocksafe Category	PC2
Fuse-Link	5 x 20 mm
Mounting	Panel Mount, Front-Side
Fastening	Fixing Nut
Terminals	Solder or Quick-Connect 4.8 x 0.5 mm
Rated Voltage	250 VAC
Rated Current	10 A (VDE) , 16 A (UL/CSA)
Rated Power Acceptance	2.5 W / 10 A @ Ta 23 °C Admissible power acceptance at higher ambient temperature see derating curves
Degree of Protection	IP 40 / IP 67
Protection Class	Suitable for appliances with protection class I or II acc. to IEC 61140
Admissible Ambient Air Temp.	-40 °C to 85 °C
Climatic Category	40/085/21 acc. to IEC 60068-1
Material: Socket	Thermoplastic, Black, UL 94V-0
Material: Terminals	Tin-Plated Copper Alloy
Unit Weight (Socket/Cap)	5.7 g
Stock Conditions	0 °C to 60 °C, max. 70% r.h.
Product Marking	Type, Voltage Rating, Power Acc./Current Ratings, Approvals

Soldering Methods	Iron
Solderability	350 °C / 2 sec acc. to IEC 60068-2-20, Test Ta, method 2
Resistance to Soldering Heat	350 °C / 10 sec acc. to IEC 60068-2-20, Test Tb, method 2
Contact Resistance	< 5 mΩ at 20 mV
Dielectric Strength	> 3 kV between L-N > 4 kV between L/N-PE (50 Hz; 1 min)
Impulse Withstand Voltage	> 4 kV between L-N > 6 kV between L/N-PE
Insulation Resistance	> 10 MΩ between L-N > 100 MΩ between L/N-PE (500 VDC; 1 min)
Overvoltage Category	I - III acc. to IEC 60664-1
Pollution Degree	1 - 3 acc. to IEC 60664-1
Resistance to Vibration	acc. to IEC 60068-2-6, test Fc
Admissible Torque on Fixing Nut	max 1.2 Nm
Panel Thickness s	max 6 mm

Dimensions

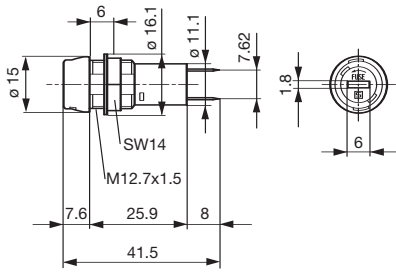
Length 41.5 mm



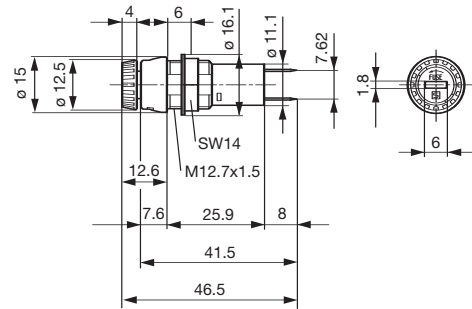
Variants 3101.0010 and 3101.0210

Variants Fingergrasp 3101.0015 and 3101.0215

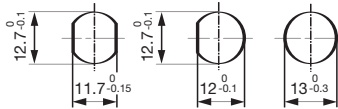
FPG1



Variants 3101.0110 and 3101.0310

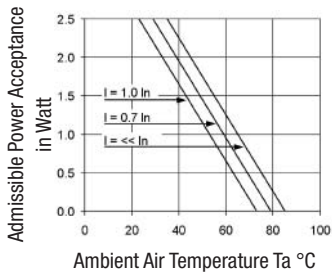


Variants Fingergrasp 3101.0115 and 3101.0315



Mounting holes

Derating Curves



Variants

Order Number	Holder	Cap	Terminals	Degree of Protection
3101.0010	●	Slotted	Solder	IP 40
3101.0210	●	Slotted	Quick-Connect 4.8 x 0.5 mm	IP 40
3101.0015	●	Fingergrasp	Solder	IP 40
3101.0215	●	Fingergrasp	Quick-Connect 4.8 x 0.5 mm	IP 40
3101.0110	●	Slotted	Solder	IP 67
3101.0310	●	Slotted	Quick-Connect 4.8 x 0.5 mm	IP 67
3101.0115	●	Fingergrasp	Solder	IP 67
3101.0315	●	Fingergrasp	Quick-Connect 4.8 x 0.5 mm	IP 67

White and grey colours available on request

Packaging Unit Bulk (100 pcs.)