






Moeller HPL0211-2004/2005

Rated current I_n A	1-pole 		2-pole With 2 protected poles 		3-pole With 3 protected poles 	
	Type Article no.	Std. pack	Type Article no.	Std. pack	Type Article no.	Std. pack
FAZ miniature circuit-breakers						
B Response current of short-circuit release $3 - 5 \times I_n$	4	FAZ-B4/1-HS 279274	12 off	FAZ-B4/2-HS 279275	1 off	-
	5	FAZ-B5/1 278528	29	-	-	-
	6	FAZ-B6/1 278529	-	FAZ-B6/2 278728	-	FAZ-B6/3 278841
	8	FAZ-B8/1 278530	-	FAZ-B8/2 278729	-	FAZ-B8/3 278842
	10	FAZ-B10/1 278531	-	FAZ-B10/2 278730	-	FAZ-B10/3 278843
	12	FAZ-B12/1 278532	-	FAZ-B12/2 278731	-	FAZ-B12/3 278844
	13	FAZ-B13/1 278533	-	FAZ-B13/2 278732	-	FAZ-B13/3 278845
	15	FAZ-B15/1 278534	-	FAZ-B15/2 278733	-	FAZ-B15/3 278846
	16	FAZ-B16/1 278535	-	FAZ-B16/2 278734	-	FAZ-B16/3 278847
	20	FAZ-B20/1 278536	-	FAZ-B20/2 278735	-	FAZ-B20/3 278848
	25	FAZ-B25/1 278537	-	FAZ-B25/2 278736	-	FAZ-B25/3 278849
	32	FAZ-B32/1 278538	-	FAZ-B32/2 278737	-	FAZ-B32/3 278850
	40	FAZ-B40/1 278539	-	FAZ-B40/2 278738	-	FAZ-B40/3 278851
	50	FAZ-B50/1 278540	-	FAZ-B50/2 278739	-	FAZ-B50/3 278852
	63	FAZ-B63/1 278541	-	FAZ-B63/2 278740	-	FAZ-B63/3 278853

Moeller HPL0211-2004/2005

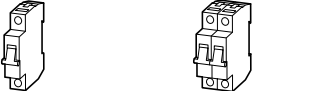
Type Article no.	Std. pack	2-pole With 1 protected pole, N switching with pole 		Std. pack	4-pole With 3 protection poles, N switching with poles 		Std. pack	Notes
		Type Article no.	Std. pack		Type Article no.	Std. pack		
-	-	-	-	-	-	-	-	Switching capacity (IEC/EN 60898) 10 kA
-	-	-	-	-	-	-	-	Switching capacity (IEC/EN 60947-2) 15 kA
FAZ-B6/4 279029	1 off	FAZ-B6/1N 278642	1 off	FAZ-B6/3N 278943	1 off	-	-	
FAZ-B8/4 279030	-	FAZ-B8/1N 278643	-	FAZ-B8/3N 278944	-	-	-	
FAZ-B10/4 279031	-	FAZ-B10/1N 278644	-	FAZ-B10/3N 278945	-	-	-	
FAZ-B12/4 279032	-	FAZ-B12/1N 278645	-	FAZ-B12/3N 278946	-	-	-	
FAZ-B13/4 279033	-	FAZ-B13/1N 278646	-	FAZ-B13/3N 278947	-	-	-	
FAZ-B15/4 279034	-	FAZ-B15/1N 278647	-	FAZ-B15/3N 278948	-	-	-	
FAZ-B16/4 279035	-	FAZ-B16/1N 278648	-	FAZ-B16/3N 278949	-	-	-	
FAZ-B20/4 279036	-	FAZ-B20/1N 278649	-	FAZ-B20/3N 278950	-	-	-	
FAZ-B25/4 279037	-	FAZ-B25/1N 278650	-	FAZ-B25/3N 278951	-	-	-	
FAZ-B32/4 279038	-	FAZ-B32/1N 278651	-	FAZ-B32/3N 278952	-	-	-	
FAZ-B40/4 279039	-	FAZ-B40/1N 278652	-	FAZ-B40/3N 278953	-	-	-	
FAZ-B50/4 279040	-	FAZ-B50/1N 278653	-	FAZ-B50/3N 278954	-	-	-	
FAZ-B63/4 279041	-	FAZ-B63/1N 278654	-	FAZ-B63/3N 278955	-	-	-	

Switching capacity (IEC/EN 60898) 10 kA
Switching capacity (IEC/EN 60947-2) 15 kA

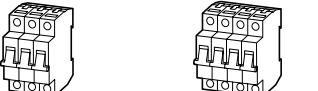
Accessories	Page
Auxiliary contacts, Voltage releases	12/21
Mounting accessories	12/23

FAZ-B4/1-HI, FAZ-B4/2-HS
Special miniature circuit-breakers with much reduced let-through energy to prevent contact welding of auxiliary contacts

1-pole	2-pole
Depth 71 mm	Depth 71 mm
Width 17.5 mm	Width 35 mm



3-pole	4-pole
Depth 71 mm	Depth 71 mm
Width 52.5 mm	Width 70 mm



Miniature Circuit-Breakers, MCB Enclosures, Fuse Enclosures

Miniature Circuit-Breakers, MCB Enclosures, Fuse Enclosures



Type: **FAZ-B10/1**
 Article No.: **278531**

Instantaneous release response current $3 - 5 \times I_n$

Ordering information

Rated current	I_n	A	10
---------------	-------	---	----

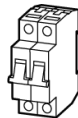
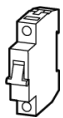
Notes concerning the product group

Switching capacity
 (IEC/EN 60898) 10 kA

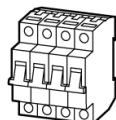
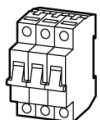
Switching capacity
 (IEC/EN 60947-2) 15 kA

FAZ-B4/1-HI, FAZ-B4/2-HSSpecial miniature circuit-breakers with much reduced let-through energy to prevent contact welding of 1 **auxiliary contacts**.

1-pole	2-pole; 1N-pole
Depth 71 mm	Depth 71 mm
Width 17.5 mm	Width 35 mm



3-pole	4-pole; 3-pole + N
Depth 71 mm	Depth 71 mm
Width 52.5 mm	Width 70 mm



Accessories

Auxiliary contacts
Voltage releases
Mounting accessories

Electrical			
Standards			IEC/EN 61131-2
Rated operational voltage			
Rated operating voltage		V AC	230/400
		V DC	48 (per pole)
Rated switching capacity		kA	15
Operational switching capacity		kA	7,5
Characteristic			B, C, D, K, Z, S
Max. back-up fuse		A gL/gG	125
Selectivity Class			3
Lifespan	Operations		> 10000
Direction of incoming supply			As required
Mechanical			
Standard front dimension		mm	45
Enclosure height		mm	80
Terminal protection			Finger and back-of-hand proof to BGV A2
Mounting width per pole		mm	17,5
Mounting			IEC/EN 60715 top-hat rail
Protection type			IP20, IP40 (when fitted)
Terminals top and bottom			Twin-purpose terminals
Terminal capacities			
		mm ²	1 × 25
		mm ²	2 × 10
Thickness of busbar material		mm	0.8 – 2
Mounting position			As required

Moeller GmbH, Hein-Moeller-Str. 7-11, D-53115 Bonn
E-Mail: catalog@moeller.net, Internet: www.moeller.net, <http://catalog.moeller.net>
Copyright 2006 by Moeller GmbH. Subject to modifications. HPL-C2006G V2.2