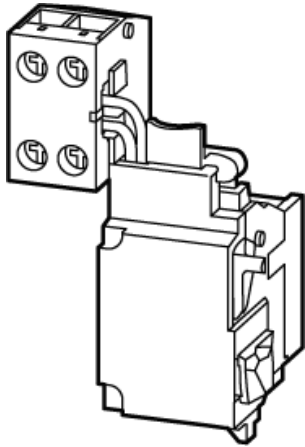


Type: **NZM1-XA208-250AC/DC**

Article No.: **259726**

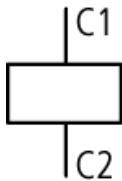
Sales text **Shunt release**



Switches are tripped by a voltage pulse or by the application of uninterrupted voltage.

Ordering information

For use with			NZM1(-4), N(S)1(-4)
Rated control voltage	U_s	V	208 V – 250 V AC/DC



Notes concerning the product group

When the undervoltage release is de-energized, accidental contact with the main contacts of the switch during attempts to switch on, is safely prevented.

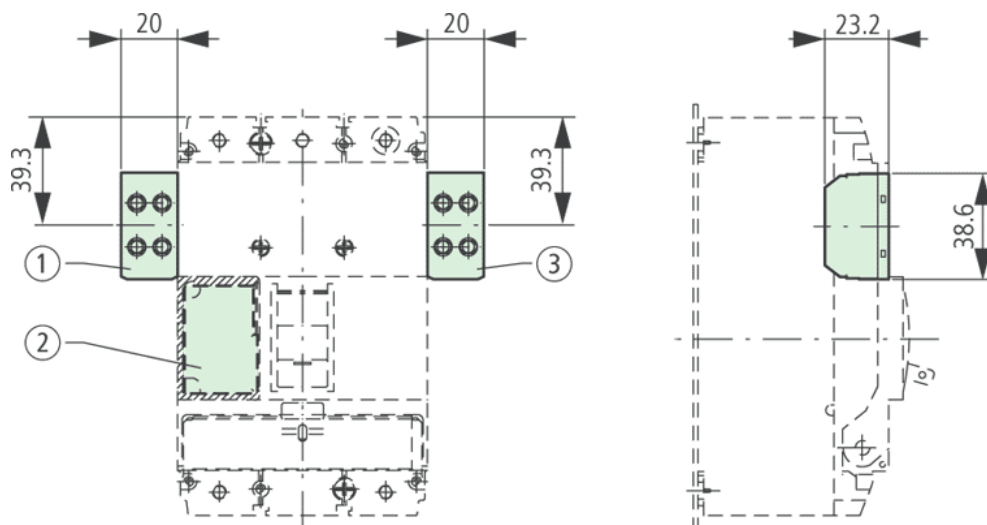
Shunt release cannot be installed simultaneously with NZM...-XHIV... early-make auxiliary contact or NZM...-XU... undervoltage release.

Shunt release

Rated control voltage			
AC	U_s	V AC	12...440
DC	U_s	V DC	12...440
Frequency range		Hz	0 – 400
Operating range			
AC		$\times U_s$	0,7...1,1

DC		$\times U_s$	0,7...1,1
Power consumption			
Pick-up AC/DC		VA/W	2,5
Sealing AC/DC		VA/W	2,5
Maximum opening delay (response time until opening of the main contacts)		ms	Approx. 20
Maximum duty factor		% DF	
Minimum command time		ms	Approx. 10 ... 15
Terminal capacities			
Solid or flexible conductor with ferrule		mm ²	1 × (0.75 ... 2.5) 2 × (0.75 ... 2.5)
		AWG	1 × (18 ... 14) 2 × (18 ... 14)

Dimensions



Moeller GmbH, Hein-Moeller-Str. 7-11, D-53115 Bonn
 E-Mail: catalog@moeller.net, Internet: www.moeller.net, <http://catalog.moeller.net>
 Copyright 2006 by Moeller GmbH. HPL-C2007G V2.1