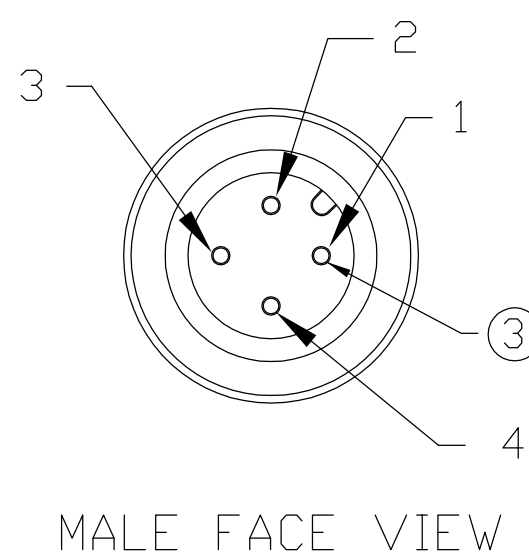
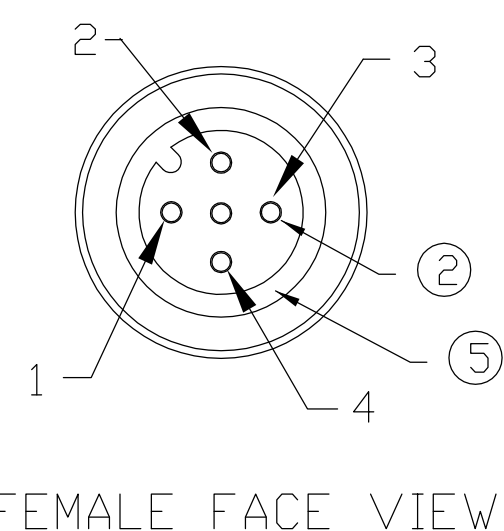
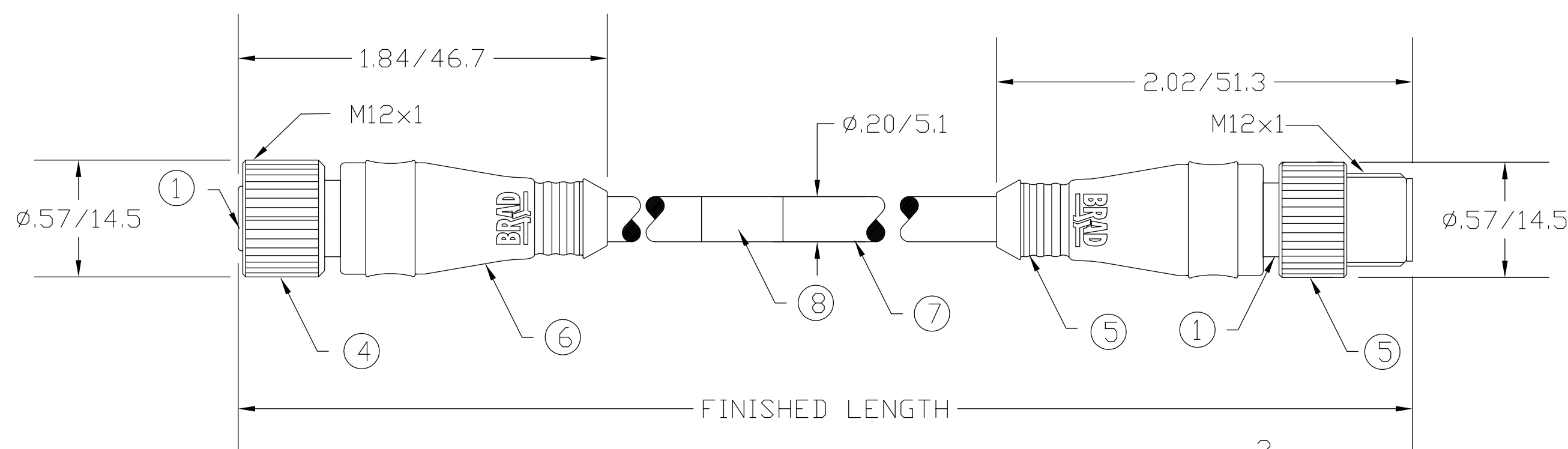
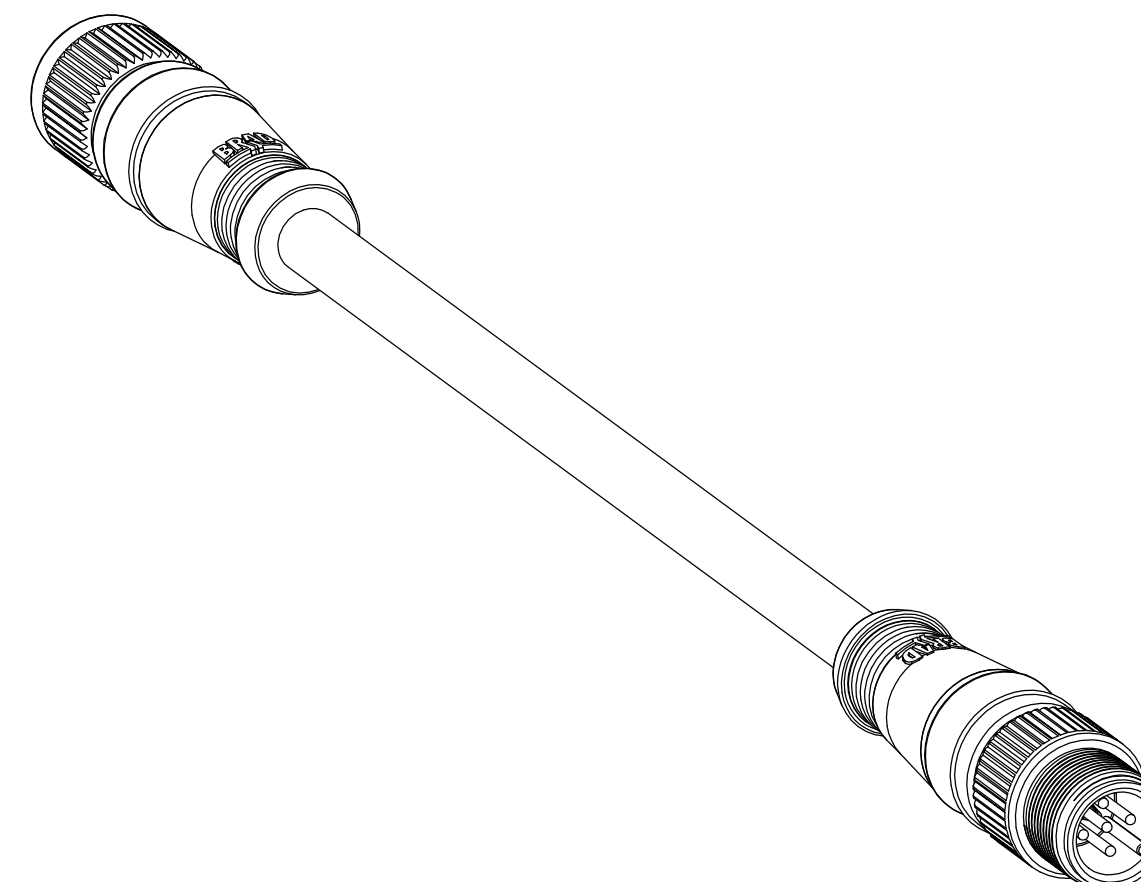


MATERIAL NUMBER	OLD PART NUMBER	FINISHED LENGTH
120066-0259	884030A09M003	.98' +.75" -0 [.3M +19.1 -0]
120066-0262	884030A09M006	1.97' +1.75" -0 [.6M +44.5 -0]
120066-0266	884030A09M010	3.27' +2.19" -0 [1.0M +55.6 -0]
120066-0271	884030A09M020	6.56' +3.50" -0 [2.0M +88.9 -0]
120066-0277	884030A09M030	9.84' +3.50" -0 [3.0M +88.9 -0]
120066-0279	884030A09M040	13.12' +6.50" -0 [4.0M +165.1 -0]
120066-0284	884030A09M050	16.40' +6.50" -0 [5.0M +165.1 -0]
120066-0297	884030A09M100	32.81' +12.50" -0 [10.0M +317.5 -0]
120066-0313	884030A09M200	65.62' +24.50" -0 [20.0M +622.3 -0]



1	BROWN	1
2	WHITE	2
3	BLUE	3
4	BLACK	4

WIRING DIAGRAM

VOLTAGE RATING	250 VAC/VDC
AMPERAGE RATING	4 AMPS
PROTECTION	IP67
OPERATING TEMPERATURE	-20°C TO 105°C
UL CERTIFICATIONS	UL RECOGNIZED, FILE NO. E152210
CSA CERTIFICATIONS	CSA CERTIFIED, FILE NO. LR6837

ITEM	COMPONENT	MATERIAL	FINISH
1	INSERT	PUR	BLACK
2	CONTACT SOCKET	COPPER ALLOY	GOLD OVER NICKEL
3	CONTACT PIN	COPPER ALLOY	GOLD OVER NICKEL
4	COUPLING NUT	BRASS	NICKEL PLATED
5	O-RING	VITON	RED
6	OVERMOLD	PUR	YELLOW
7	CABLE-22 AWG, 26 x #36 COPPER STRANDING, 4 CONDUCTOR, 300V	PVC	YELLOW
8	LABEL	MYLAR	BLACK/YELLOW

RLSO DRAWING EC NO: WNA2009-0631 DRWN: BWOODMAN 3/27/09 CH'KD: JM APPR: JFMURPHY 2009/04/01	QUALITY SYMBOL	GENERAL TOLERANCES (UNLESS SPECIFIED)	DIMENSION STYLE	SCALE	DESIGN UNITS	THIRD ANGLE PROJECTION														
	$\blacktriangledown = 0$ $\triangle C = 0$	<table border="1"> <tr> <th></th> <th>mm</th> <th>INCH</th> </tr> <tr> <td>4 PLACES</td> <td>±---</td> <td>±---</td> </tr> <tr> <td>3 PLACES</td> <td>±---</td> <td>±---</td> </tr> <tr> <td>2 PLACES</td> <td>±---</td> <td>±.01</td> </tr> <tr> <td>1 PLACE</td> <td>±0.3</td> <td>±---</td> </tr> </table>		mm	INCH		4 PLACES	±---	±---	3 PLACES	±---	±---	2 PLACES	±---	±.01	1 PLACE	±0.3	±---	IN/MM	---
		mm	INCH																	
	4 PLACES	±---	±---																	
3 PLACES	±---	±---																		
2 PLACES	±---	±.01																		
1 PLACE	±0.3	±---																		
DESCRIPTION	ANGULAR ±---°	DRAFT WHERE APPLICABLE MUST REMAIN WITHIN DIMENSIONS	DRAWN BY: BW DATE: 2009/03/27 CHECKED BY: TW DATE: 2009/03/27 APPROVED BY: _____ DATE: _____	TITLE: MICRO-CHANGE CORDSET 4 POLE MALE/FEMALE PVC CABLE MOLEX INCORPORATED																
REV			SEE CHART	MATERIAL NO.	DOCUMENT NO.	SHEET NO.														
A			C		SD-120066-005	1 OF 1														

THIS DRAWING CONTAINS INFORMATION THAT IS PROPRIETARY TO MOLEX INCORPORATED AND SHOULD NOT BE USED WITHOUT WRITTEN PERMISSION

Mouser Electronics

Authorized Distributor

Click to View Pricing, Inventory, Delivery & Lifecycle Information:

[Molex:](#)

[1200660284](#)