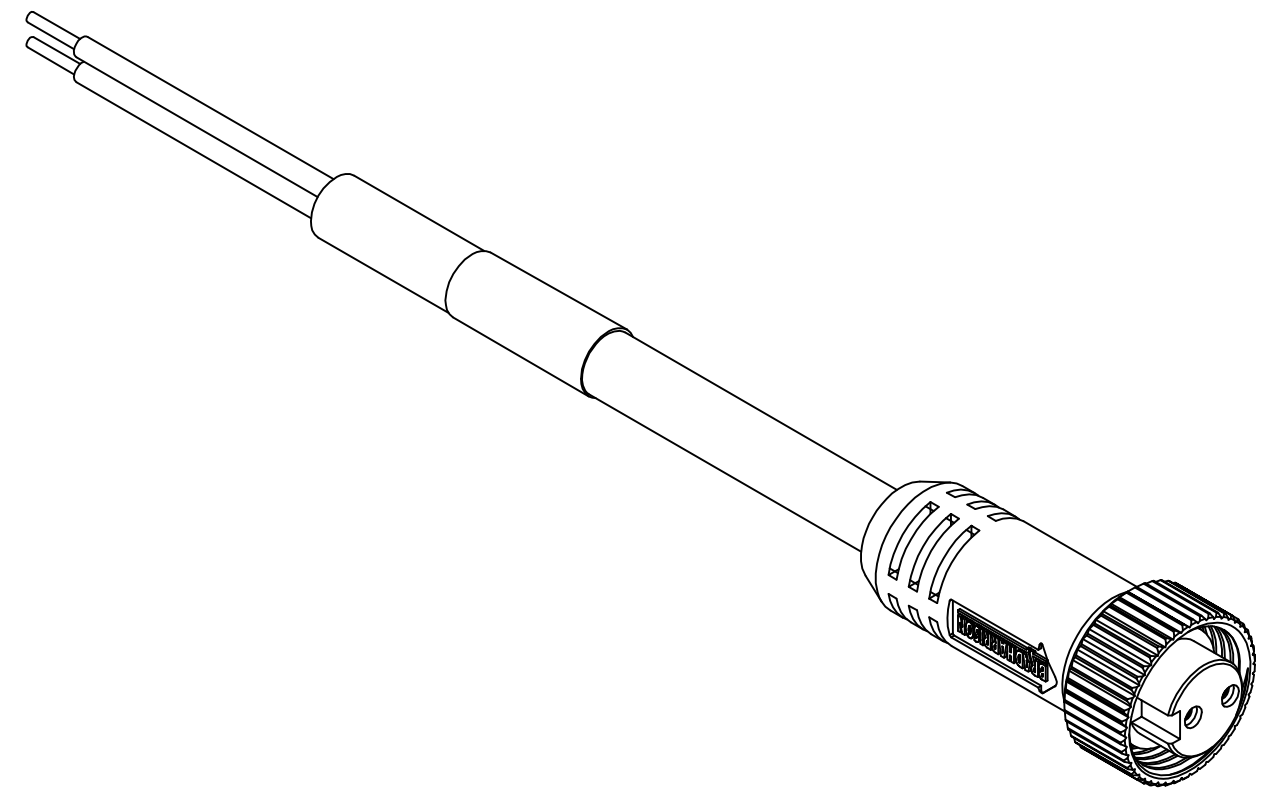
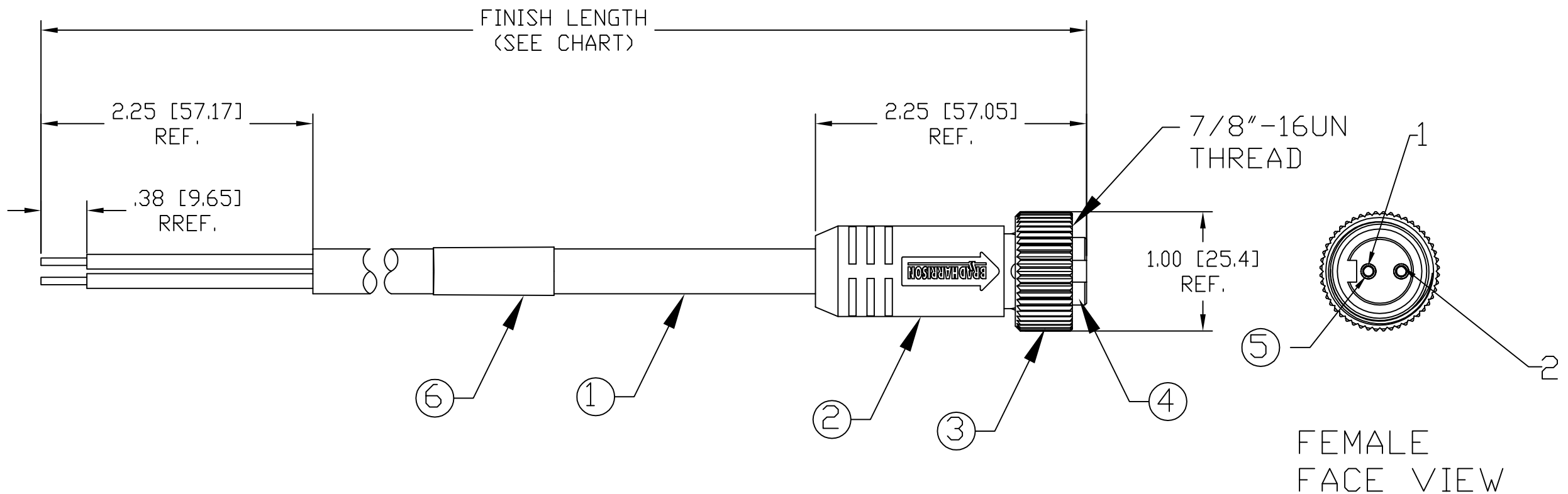


13	12	11	10	9	8	7	6	5	4	3	2	1
PART NUMBER	ENGINEERING NUMBER	FINISH LENGTH										
1300060088	102000A01F030	3.00' +1.75" -0 [.9M +44.5 -0]										
1300060091	102000A01F060	6.00' +3.50" -0 [1.8M +88.9 -0]										
1300060096	102000A01F120	12.00' +6.50" -0 [3.7M +165.1 -0]										
1300060099	102000A01F150	15.00' +6.50" -0 [4.6M +165.1 -0]										
1300060102	102000A01F200	20.00' +6.50" -0 [6.1M +165.1 -0]										
1300060105	10200A01F250	25.00' +12.50" -0 [7.6M +317.5 -0]										
1300060108	102000A01F300	30.00' +12.50" -0 [9.1M +317.5 -0]										
1300060111	102000A01F400	40.00' +12.50" -0 [12.2M +317.5 -0]										
1300060112	102000A01F500	50.00' +24.50" -0 [15.2M +622.3 -0]										



NOTE

- 1) MATERIAL: SEE TABLE
- 2) FINISHES: SEE TABLE
- 3) WRAP LABEL IS MARKED WITH P/N, DATE CODE, VOLTAGE & AMPERAGE
- 4) MATES WITH: MINI CHANGE, 2 POLE RECEPTACLE
- 5) ELECTRICAL DATA:  
 INLINE CORDSET  
 FEMALE A-SIZE WITH FLYING LEADS  
 16AWG UNSHIELDED  
 POLES: 2  
 MAX. VOLTAGE: 600V  
 MAX. CURRENT 13A  
 PROTECTION IP67  
 TEMPERATURE RANGE: -20°C TO 105°C
- 6) PACKAGING:  
 CABLE ASSEMBLIES ARE BAGGED SEPERATELY  
 IN POLY BAGS WITH BAR CODE LABEL ATTACHED  
 TO OUTSIDE OF BAG.
- 7) ASSEMBLY IS RoHS COMPLIANT.
- 8) CERTIFICATION  
 UL RECOGNIZED, FILE NO. E152210  
 CSA CERTIFIED, FILE NO. LR6837



P1

1	WHITE
2	BLACK

WIRING DIAGRAM

ITEM	QTY.	DESCRIPTION	MATERIAL	FINISH
6	1	LABEL	PLASTIC FILM	BLACK/YELLOW
5	2	CONTACT SOCKET	COPPER ALLOY	GOLD PLATED
4	1	INSERT	PVC	YELLOW
3	1	COUPLING NUT	ZINC DIE CAST	BLACKE-COATED
2	1	OVERMOLD	PVC	YELLOW
1	1	CABLE, 16AWG-2 TYPE STOOD	PVC	YELLOW

RELEASE EC NO: WNA2010-0025 DRWN: TWOLDEGE 7/9/09 CH'KD: BWOODMAN APPR: JFMURPHY 2009/08/10	DESCRIPTION REV	<b>QUALITY SYMBOL</b> ▽=0 ▽=0	<b>GENERAL TOLERANCES (UNLESS SPECIFIED)</b>		<b>DIMENSION STYLE</b> IN/MM		SCALE 1:1	DESIGN UNITS INCH	THIRD ANGLE PROJECTION	
			4 PLACES ±--- ±---	mm INCH	DRAWN BY TWOLDEGE	DATE 2009/07/09	<b>MINI CHANGE ASSEMBLY          2-POLE FEMALE ST          16/2AWG PVC</b>			
			3 PLACES ±.005 ±.005	2 PLACES ±.013 ±.010	CHECKED BY BWOODMAN	DATE 2009/07/09				
			1 PLACE ±.025 ±.020	ANGULAR ±1/2°	APPROVED BY -----	DATE -----	MOLEX	<b>MOLEX INCORPORATED</b>		
DRAFT WHERE APPLICABLE MUST REMAIN WITHIN DIMENSIONS			MATERIAL NO. <b>SEE CHART</b>		DOCUMENT NO. <b>SD-130006-007</b>		SHEET NO. <b>1 OF 1</b>			
			THIS DRAWING CONTAINS INFORMATION THAT IS PROPRIETARY TO MOLEX INCORPORATED AND SHOULD NOT BE USED WITHOUT WRITTEN PERMISSION							

# Mouser Electronics

Authorized Distributor

Click to View Pricing, Inventory, Delivery & Lifecycle Information:

[Molex:](#)

[1300060091](#)