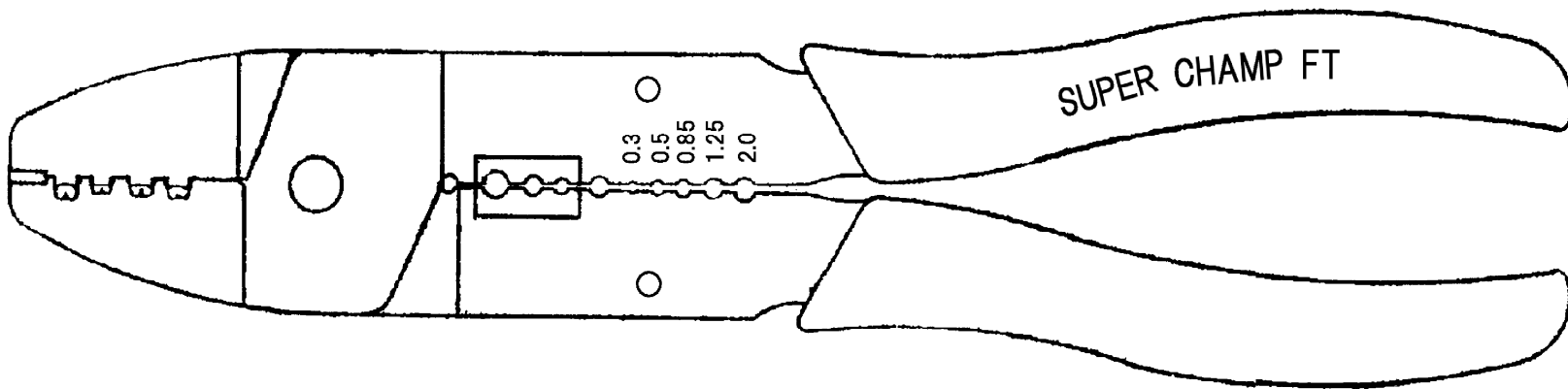
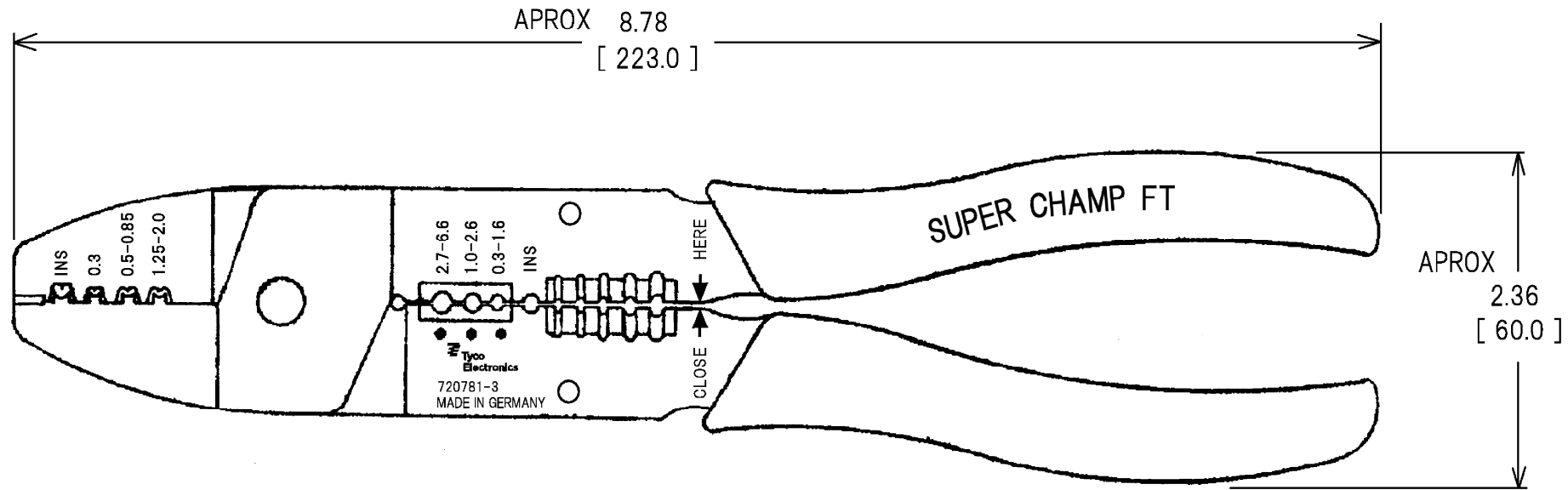

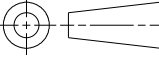


P	LTR	DESCRIPTION	DATE	DWN	APVD
	A1	REVISED PER ECO-11-005140	16APR11	RK	HMR



INSTRUCTION SHEET ; 411-5031

<small>THIS DRAWING IS A CONTROLLED DOCUMENT FOR TYCO ELECTRONICS CORPORATION IT IS SUBJECT TO CHANGE AND THE CONTROLLING ENGINEERING ORGANIZATION SHOULD BE CONTACTED FOR THE LATEST REVISION.</small>		DWN J. KOGA 14APR2009	 TE Connectivity
DIMENSIONS: mm		CHK J. KOGA 14APR2009	
		APVD S. YABE 14APR2009	
TOLERANCES UNLESS OTHERWISE SPECIFIED: 0 PLC ±- 1 PLC ±- 2 PLC ±- 3 PLC ±- 4 PLC ±- ANGLES ±-		PRODUCT SPEC -	NAME SERVICE TOOL ASSY
MATERIAL - FINISH -		APPLICATION SPEC -	RESTRICTED TO -
		WEIGHT -	SIZE A3 CAGE CODE 00779 DRAWING NO ©=C720781-3
CUSTOMER DRAWING			SCALE - SHEET OF REV A1

Mouser Electronics

Authorized Distributor

Click to View Pricing, Inventory, Delivery & Lifecycle Information:

[TE Connectivity:](#)

[720781-3](#)