

# DATA SHEET

## **SURFACE-MOUNT CERAMIC MULTILAYER CAPACITORS**

General purpose & High capacitance

Class 2, Y5V

6.3 V TO 50 V

10 nF to 47  $\mu$ F

RoHS compliant & Halogen Free



SCOPE

This specification describes Y5V series chip capacitors with lead-free terminations.

APPLICATIONS

- Consumer electronics, for example:
  - Tuners
  - Television receivers
  - Video recorders
  - All types of cameras
  - Mobile telephones

FEATURES

- Supplied in tape on reel
- Nickel-barrier end termination
- RoHS compliant
- Halogen Free compliant

ORDERING INFORMATION-GLOBAL PART NUMBER, PHYCOMP

CTC & I2NC

All part numbers are identified by the series, size, tolerance, TC material, packing style, voltage, process code, termination and capacitance value.

**YAGEO BRAND ordering code**

**GLOBAL PART NUMBER (PREFERRED)**

**CC** XXXX X X **Y5V** X **BB** XXX  
 (1) (2) (3) (4) (5)

**(1) SIZE – INCH BASED (METRIC)**

- 0201 (0603)
- 0402 (1005)
- 0603 (1608)
- 0805 (2012)
- 1206 (3216)
- 1210 (3225)

**(2) TOLERANCE**

- M = ±20%
- Z = -20% to +80%

**(3) PACKING STYLE**

- R = Paper/PE taping reel; Reel 7 inch
- K = Blister taping reel; Reel 7 inch
- P = Paper/PE taping reel; Reel 13 inch
- F = Blister taping reel; Reel 13 inch
- C = Bulk case

**(4) RATED VOLTAGE**

- 5 = 6.3 V
- 6 = 10 V
- 7 = 16 V
- 8 = 25 V
- 9 = 50 V

**(5) CAPACITANCE VALUE**

2 significant digits+number of zeros  
 The 3rd digit signifies the multiplying factor, and letter R is decimal point  
 Example: 103 = 10 × 10<sup>3</sup> = 10,000 pF = 10 nF

**PHYCOMP BRAND ordering codes**

GLOBAL PART NUMBER (preferred), PHYCOMP CTC (for North America) and I2NC (traditional) codes are acceptable to order Phycomp brand products.

**GLOBAL PART NUMBER (PREFERRED)**

For detailed information of GLOBAL PART NUMBER and ordering example, please refer to page 2.

**I2NC CODE**

	2 2 X X X X 9 X X X		
<p><b>Carrier type</b></p> <ul style="list-style-type: none"> <li>50 = Blister (6.3 V)</li> <li>55 = Paper/PE (6.3 V)</li> <li>22 = Blister</li> <li>38 = Paper/PE</li> <li>54 = Bulk</li> </ul>	<p><b>Capacitance value<sup>(1)</sup></b></p> <p><b>Tolerance</b></p> <ul style="list-style-type: none"> <li>7 = ±20%</li> <li>8 = -20 to +80%</li> </ul>	<p><b>Voltage</b></p> <ul style="list-style-type: none"> <li>20 = 6.3 V</li> <li>24 = 10 V</li> <li>78 = 16 V</li> <li>91 = 25 V</li> <li>58 = 50 V</li> </ul>	<p><b>Packaging<sup>(2)</sup></b></p> <ul style="list-style-type: none"> <li>1 = reel: Ø180 mm; 7"</li> <li>5 = reel: Ø330 mm; 13"</li> <li>4 = bulk case</li> </ul> <p><b>Size</b></p> <ul style="list-style-type: none"> <li>8 = 0201</li> <li>7 = 0402</li> <li>6 = 0603</li> <li>0 = 0805</li> <li>1 = 1206</li> <li>2 = 1210</li> </ul>
	YNM0009		
<p>(1) Please refer to "Last 2-digit of I2NC" in "CAPACITANCE RANGE &amp; THICKNESS FOR Y5V"</p> <p>(2) Quantity on reel depends on thickness classification; see table 5</p>			

**PHYCOMP CTC CODE (FOR NORTH AMERICA)**

Example: I2062F105M8B B 0 D

I206	2F	105	M	8	B	B	0	D
Size code	Temp. Char.	Capacitance in pF	Tolerance	Voltage	Termination	Packing	Marking	Range identifier
0201	2F = Y5V	101 = 100 pF;	M = ±20%	5 = 6.3 V	B = NiSn	2 = 180 mm	0 = no marking	D = Class 2 MLCC
0402		the third digit	Z = -20% to +80%	6 = 10 V		7" Paper/PE		
0603		signifies the		7 = 16 V		3 = 330 mm		
0805		multiplying factor:		8 = 25 V		13" Paper/PE		
1206		0 = × 1		9 = 50 V		B = 180 mm		
1210		1 = × 10				7" Blister		
		2 = × 100				F = 330 mm		
		3 = × 1,000				13" Blister		
		4 = × 10,000				P = Bulk case		
		5 = × 100,000						
		6 = × 1,000,000						

**CONSTRUCTION**

The capacitor consists of a rectangular block of ceramic dielectric in which a number of interleaved metal electrodes are contained. This structure gives rise to a high capacitance per unit volume.

The inner electrodes are connected to the two end terminations and finally covered with a layer of plated tin (NiSn). The terminations are lead-free. A cross section of the structure is shown in Fig.1.

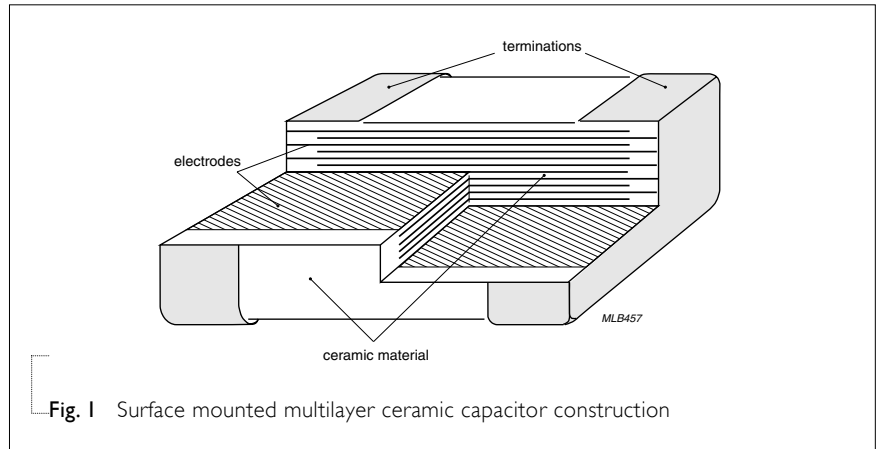


Fig. 1 Surface mounted multilayer ceramic capacitor construction

**DIMENSION**

Table I For outlines see fig. 2

TYPE	L <sub>1</sub> (mm)	W (mm)	T (MM)	L <sub>2</sub> / L <sub>3</sub> (mm)		L <sub>4</sub> (mm)
				min.	max.	min.
0201	0.6 ±0.03	0.3 ±0.03	Refer to table 2 to 4	0.10	0.20	0.20
0402	1.0 ±0.05	0.5 ±0.05		0.20	0.30	0.40
0603	1.6 ±0.10	0.8 ±0.10		0.20	0.60	0.40
0805	2.0 ±0.10 <sup>(1)</sup>	1.25 ±0.10 <sup>(1)</sup>		0.25	0.75	0.55
	2.0 ±0.20 <sup>(2)</sup>	1.25 ±0.20 <sup>(2)</sup>				
1206	3.2 ±0.15 <sup>(1)</sup>	1.6 ±0.15 <sup>(1)</sup>		0.25	0.75	1.40
	3.2 ±0.30 <sup>(2)</sup>	1.6 ±0.20 <sup>(2)</sup>				
1210	3.2 ±0.20 <sup>(1)</sup>	2.5 ±0.20 <sup>(1)</sup>		0.25	0.75	1.40
	3.2 ±0.40 <sup>(2)</sup>	2.5 ±0.30 <sup>(2)</sup>				
1812	4.5 ±0.20 <sup>(1)</sup>	3.2 ±0.20 <sup>(1)</sup>		0.25	0.75	2.20
	4.5 ±0.40 <sup>(2)</sup>	3.2 ±0.40 <sup>(2)</sup>				

**NOTE**

1. Dimension for size 0805 to 1812, C ≤ 100 nF
2. Dimension for size 0805 to 1812, C > 100 nF

**OUTLINES**

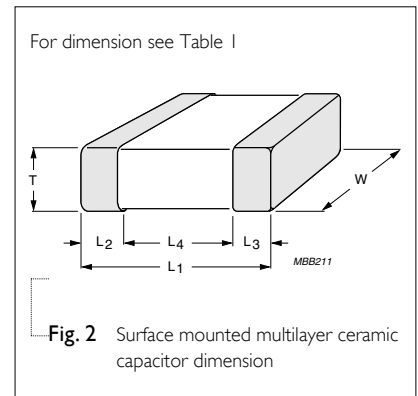


Fig. 2 Surface mounted multilayer ceramic capacitor dimension

**CAPACITANCE RANGE & THICKNESS FOR Y5V**

**Table 2** Sizes from 0201 to 0402

CAP.	Last 2-digit of 12NC		0201		0402					
	≤ 25 V	50 V	6.3 V	25 V	6.3 V	10 V	16 V	25 V	50 V	
10 nF	36	05		0.3±0.03						0.5±0.05
22 nF	41	07								
47 nF	45	09							0.5±0.05	
100 nF	49	12	0.3±0.03			0.5±0.05	0.5±0.05			
220 nF	52	14			0.5±0.05					
470 nF	58	16								
1.0 μF	63	18								
2.2 μF	67									
4.7 μF	72									
10 μF	76									
22 μF	81									
47 μF	85									

**Table 3** Sizes from 0603 to 0805

CAP.	Last 2-digit of 12NC		0603				0805					
	≤ 25 V	50 V	6.3 V	10 V	16 V	25 V	50 V	6.3 V	10 V	16 V	25 V	50 V
10 nF	36	05										
22 nF	41	07										
47 nF	45	09				0.8±0.1	0.8±0.1				0.6±0.1	0.6±0.1
100 nF	49	12										
220 nF	52	14								0.6±0.1		0.85±0.1
470 nF	58	16			0.8±0.1						0.85±0.1	
1.0 μF	63	18		0.8±0.1						0.85±0.1		1.25±0.2
2.2 μF	67		0.8±0.1						0.85±0.1		1.25±0.2	
4.7 μF	72							0.85±0.1	0.85±0.1	1.25±0.2		
10 μF	76									1.25±0.2		
22 μF	81							1.25±0.2	1.25±0.2			
47 μF	85											

**NOTE**

1. Values in shaded cells indicate thickness class in mm
2. Capacitance value of non E-3 series is on request

**CAPACITANCE RANGE & THICKNESS FOR Y5V**

**Table 4** Sizes from 1206 to 1210

CAP.	Last 2-digit of 12NC		1206				1210				
	≤ 25 V	50 V	6.3 V	10 V	16 V	25 V	50 V	6.3 V	10 V	16 V	25 V
10 nF	36	05									
22 nF	41	07									
47 nF	45	09				0.6±0.1	0.6±0.1				
100 nF	49	12									
220 nF	52	14									
470 nF	58	16									
1.0 μF	63	18				0.85±0.1	0.85±0.1				
2.2 μF	67										
4.7 μF	72			0.85±0.1	0.85±0.1						
10 μF	76		0.85±0.1		1.15±0.1				1.5±0.1	1.5±0.1	1.5±0.1
22 μF	81		1.6±0.2	1.6±0.2	1.6±0.2	1.6±0.2			1.6±0.2	1.6±0.2	
47 μF	85							2.0±0.2			

**NOTE**

1. Values in shaded cells indicate thickness class in mm
2. Capacitance value of non E-3 series is on request

**THICKNESS CLASSES AND PACKING QUANTITY**

Table 5

SIZE CODE	THICKNESS CLASSIFICATION	TAPE WIDTH QUANTITY PER REEL	Ø180 MM / 7 INCH		Ø330 MM / 13 INCH		QUANTITY PER BULK CASE
			Paper	Blister	Paper	Blister	
0201	0.3 ±0.03 mm	8 mm	15,000	---	50,000	---	---
0402	0.5 ±0.05 mm	8 mm	10,000	---	50,000	---	50,000
0603	0.8 ±0.1 mm	8 mm	4,000	---	15,000	---	15,000
0805	0.6 ±0.1 mm	8 mm	4,000	---	20,000	---	10,000
	0.85 ±0.1 mm	8 mm	4,000	---	15,000	---	8,000
	1.25 ±0.2 mm	8 mm	---	3,000	---	10,000	5,000
1206	0.6 ±0.1 mm	8 mm	4,000	---	20,000	---	---
	0.85 ±0.1 mm	8 mm	4,000	---	15,000	---	---
	1.00 / 1.15 ±0.1 mm	8 mm	---	3,000	---	10,000	---
	1.25 ±0.2 mm	8 mm	---	3,000	---	10,000	---
	1.6 ±0.15 mm	8 mm	---	2,500	---	10,000	---
1210	1.6 ±0.2 mm	8 mm	---	2,000	---	10,000	---
	0.6 / 0.7 ±0.1 mm	8 mm	---	4,000	---	15,000	---
	0.85 ±0.1 mm	8 mm	---	4,000	---	10,000	---
	1.15 ±0.1 mm	8 mm	---	3,000	---	10,000	---
	1.15 ±0.15 mm	8 mm	---	3,000	---	10,000	---
	1.25 ±0.2 mm	8 mm	---	3,000	---	---	---
	1.5 ±0.1 mm	8 mm	---	2,000	---	---	---
	1.6 / 1.9 ±0.2 mm	8 mm	---	2,000	---	---	---
1808	2.0 ±0.2 mm	8 mm	---	2,000 1,000	---	---	---
	2.5 ±0.2 mm	8 mm	---	1,000 500	---	---	---
	1.15 ±0.15 mm	12 mm	---	3,000	---	---	---
	1.25 ±0.2 mm	12 mm	---	3,000	---	---	---
	1.35 ±0.15 mm	12 mm	---	2,000	---	---	---
	1.5 ±0.1 mm	12 mm	---	2,000	---	---	---
	1.6 ±0.2 mm	12 mm	---	2,000	---	---	---
1812	2.0 ±0.2 mm	12 mm	---	2,000	---	---	---
	0.6 / 0.85 ±0.1 mm	12 mm	---	2,000	---	---	---
	1.15 ±0.1 mm	12 mm	---	1,000	---	---	---
	1.25 ±0.2 mm	12 mm	---	1,000	---	---	---
	1.5 ±0.1 mm	12 mm	---	1,000	---	---	---
	1.6 ±0.2 mm	12 mm	---	1,000	---	---	---
	2.0 ±0.2 mm	12 mm	---	1,000	---	---	---
2.5 ±0.2 mm	12 mm	---	500	50,000	---	---	

ELECTRICAL CHARACTERISTICS

**Y5V DIELECTRIC CAPACITORS; NISN TERMINATIONS**

Unless otherwise specified, all test and measurements shall be made under standard atmospheric conditions for testing as given in 5.3 of IEC 60068-1:

- Temperature: 15 °C to 35 °C
- Relative humidity: 25% to 75%
- Air pressure: 86 kPa to 106 kPa

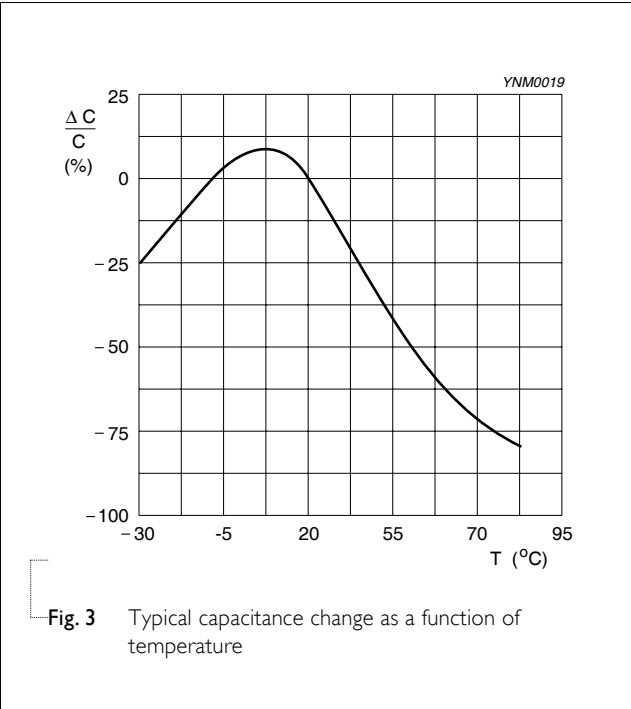
Before the measurements are made, the capacitor shall be stored at the measuring temperature for a time sufficient to allow the entire capacitor to reach this temperature.

The period as prescribed for recovery at the end of a test is normally sufficient for this purpose.

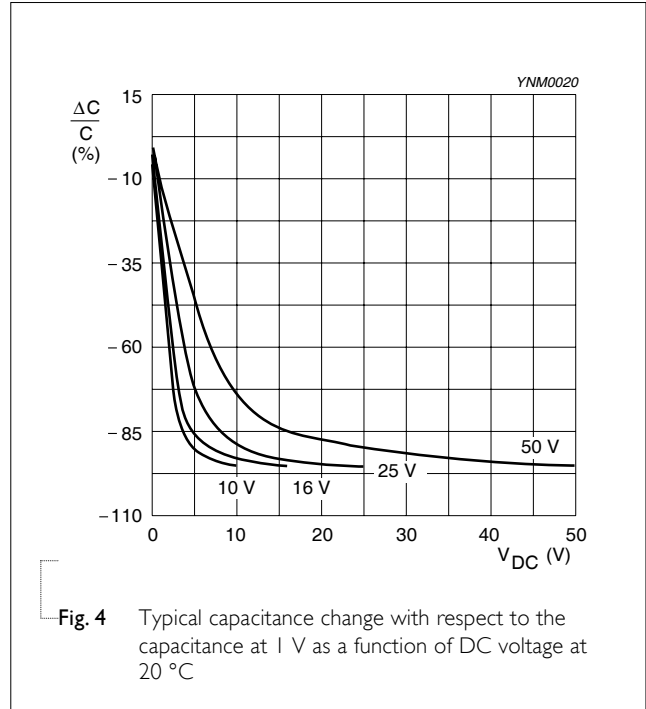
Table 6

DESCRIPTION	VALUE
Capacitance range	10 nF to 47 µF
Capacitance tolerance	±20% -20% to +80%
Dissipation factor (D.F.)	
≤ 6.3 V	≤ 15%
Exception: 0805 ≥ 22 µF	≤ 20%
10 V	≤ 12.5%
Exception: 0402 ≥ 680 nF; 0603 ≥ 2.2 µF;	≤ 15%
0805 ≥ 10 µF; 1206 ≥ 10 µF	≤ 20%
16 V	≤ 12.5%
Exception: 0603 ≥ 4.7 µF	≤ 15%
≥ 25 V	≤ 9%
Exception: 0201 ≥ 10 nF	≤ 12.5%
Insulation resistance after 1 minute at $U_r$ (DC)	$R_{ins} \geq 10 \text{ G}\Omega$ or $R_{ins} \times C_r \geq 500$ seconds whichever is less
Maximum capacitance change as a function of temperature (temperature characteristic/coefficient):	+22% to -82%
Operating temperature range:	-30 °C to +85 °C

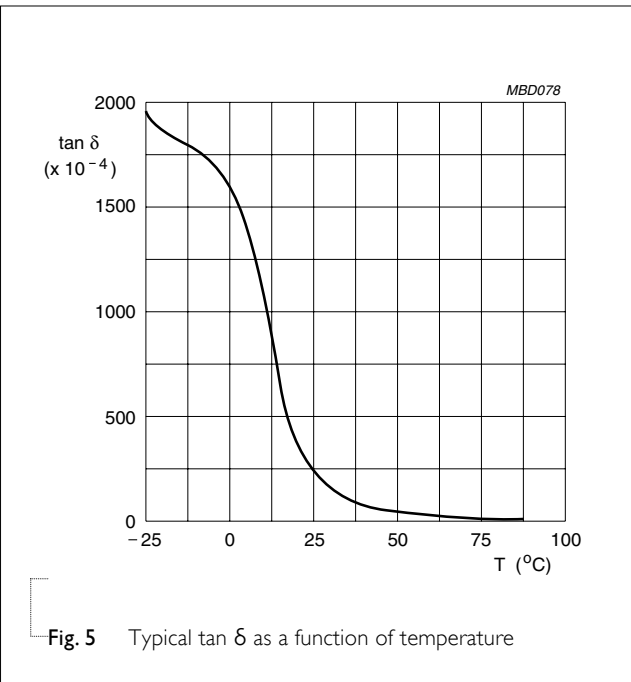




**Fig. 3** Typical capacitance change as a function of temperature



**Fig. 4** Typical capacitance change with respect to the capacitance at 1 V as a function of DC voltage at 20 °C



**Fig. 5** Typical tan δ as a function of temperature

**SOLDERING RECOMMENDATION**

Table 7

SOLDERING METHOD	SIZE 0402	0603	0805	1206	≥ 1210
Reflow	≥ 0.1 μF	≥ 1.0 μF	≥ 2.2 μF	≥ 4.7 μF	Reflow only
Reflow/Wave	< 0.1 μF	< 1.0 μF	< 2.2 μF	< 4.7 μF	---

**TESTS AND REQUIREMENTS**
**Table 8** Test procedures and requirements

TEST	TEST METHOD	PROCEDURE	REQUIREMENTS
Mounting	IEC 60384-21/22 4.3	The capacitors may be mounted on printed-circuit boards or ceramic substrates	No visible damage
Visual inspection and dimension check	4.4	Any applicable method using $\times 10$ magnification	In accordance with specification
Capacitance <sup>(1)</sup>	4.5.1	Class 2: At 20 °C, 24 hrs after annealing $f = 1 \text{ KHz}$ for $C \leq 10 \mu\text{F}$ , rated voltage $> 6.3 \text{ V}$ , measuring at voltage $1 V_{\text{rms}}$ at 20 °C $f = 1 \text{ KHz}$ , for $C \leq 10 \mu\text{F}$ , rated voltage $\leq 6.3 \text{ V}$ , measuring at voltage $0.5 V_{\text{rms}}$ at 20 °C $f = 120 \text{ Hz}$ for $C > 10 \mu\text{F}$ , measuring at voltage $0.5 V_{\text{rms}}$ at 20 °C	Within specified tolerance
Dissipation factor (D.F.) <sup>(1)</sup>	4.5.2	Class 2: At 20 °C, 24 hrs after annealing $f = 1 \text{ KHz}$ for $C \leq 10 \mu\text{F}$ , rated voltage $> 6.3 \text{ V}$ , measuring at voltage $1 V_{\text{rms}}$ at 20 °C $f = 1 \text{ KHz}$ , for $C \leq 10 \mu\text{F}$ , rated voltage $\leq 6.3 \text{ V}$ , measuring at voltage $0.5 V_{\text{rms}}$ at 20 °C $f = 120 \text{ Hz}$ for $C > 10 \mu\text{F}$ , measuring at voltage $0.5 V_{\text{rms}}$ at 20 °C	In accordance with specification
Insulation resistance	4.5.3	At $U_r$ (DC) for 1 minute	In accordance with specification
Temperature characteristic	4.6	Class 2: Between minimum and maximum temperature Y5V: -30 °C to +85 °C Normal Temperature: 20 °C	<General purpose series> $\Delta C/C$ Class 2: Y5V: 22% to -82%  <High Capacitance series> $\Delta C/C$ Class 2: Y5V: 22% to -82%
Adhesion	4.7	A force applied for 10 seconds to the line joining the terminations and in a plane parallel to the substrate	Force size $\geq 0603$ : 5N size = 0402: 2.5N size = 0201: 1N

**NOTE:**

1. For individual product specification, please contact local sales.

TEST	TEST METHOD	PROCEDURE	REQUIREMENTS
Bond strength of plating on end face	IEC 60384-21/22	4.8 Mounting in accordance with IEC 60384-22 paragraph 4.3	No visible damage
		Conditions: bending 1 mm at a rate of 1 mm/s, radius jig 340 mm	<p>&lt;General purpose series&gt;</p> <p><math>\Delta C/C</math></p> <p>Class2:</p> <p>Y5V: <math>\pm 10\%</math></p> <p>&lt;High Capacitance series&gt;</p> <p><math>\Delta C/C</math></p> <p>Class2:</p> <p>Y5V: <math>\pm 10\%</math></p>
Resistance to soldering heat	4.9	Precondition: 150 $\pm 10$ °C for 1 hour, then keep for 24 $\pm 1$ hours at room temperature	Dissolution of the end face plating shall not exceed 25% of the length of the edge concerned
		Preheating: for size $\leq$ 1206: 120 °C to 150 °C for 1 minute Preheating: for size $>$ 1206: 100 °C to 120 °C for 1 minute and 170 °C to 200 °C for 1 minute Solder bath temperature: 260 $\pm 5$ °C Dipping time: 10 $\pm 0.5$ seconds Recovery time: 24 $\pm 2$ hours	
			<p>&lt;General purpose series&gt;</p> <p><math>\Delta C/C</math></p> <p>Class2:</p> <p>Y5V: <math>\pm 20\%</math></p> <p>&lt;High Capacitance series&gt;</p> <p><math>\Delta C/C</math></p> <p>Class2:</p> <p>Y5V: <math>\pm 20\%</math></p>
			<p>D.F. within initial specified value</p> <p><math>R_{ns}</math> within initial specified value</p>
Solderability	4.10	Preheated the temperature of 80 °C to 140 °C and maintained for 30 seconds to 60 seconds.  Test conditions for lead containing solder alloy Temperature: 235 $\pm 5$ °C Dipping time: 2 $\pm 0.2$ seconds Depth of immersion: 10 mm Alloy Composition: 60/40 Sn/Pb Number of immersions: 1  Test conditions for leadfree containing solder alloy Temperature: 245 $\pm 5$ °C Dipping time: 3 $\pm 0.3$ seconds Depth of immersion: 10 mm Alloy Composition: SAC305 Number of immersions: 1	The solder should cover over 95% of the critical area of each termination

TEST	TEST METHOD	PROCEDURE	REQUIREMENTS
Rapid change of temperature	IEC 60384-21/22	4.11 Preconditioning: 150 +0/-10 °C for 1 hour, then keep for 24 ±1 hours at room temperature  5 cycles with following detail: 30 minutes at lower category temperature 30 minutes at upper category temperature  Recovery time 24 ±2 hours	No visual damage <hr/> <b>&lt;General purpose series&gt;</b> $\Delta C/C$ Class2: Y5V: ±20%  <b>&lt;High Capacitance series&gt;</b> $\Delta C/C$ Class2: Y5V: ±20% <hr/> D.F. meet initial specified value $R_{ins}$ meet initial specified value
Damp heat with $U_r$ load	4.13	1. Preconditioning, class 2 only: 150 +0/-10 °C /1 hour, then keep for 24 ±1 hour at room temp 2. Initial measure: Spec: refer initial spec C, D, IR 3. Damp heat test: 500 ±12 hours at 40 ±2 °C; 90 to 95% R.H. 1.0 $U_r$ applied 4. Recovery: Class 2: 24 ±2 hours 5. Final measure: C, D, IR  P.S. If the capacitance value is less than the minimum value permitted, then after the other measurements have been made the capacitor shall be precondition according to "IEC 60384 4.1" and then the requirement shall be met.	No visual damage after recovery <hr/> <b>&lt;General purpose series&gt;</b> $\Delta C/C$ Class2: Y5V: ±30% D.F. Class2: Y5V: ≤ 15% $R_{ins}$ Class2: Y5V: ≥ 500 MΩ or $R_{ins} \times C_r \geq 25s$ whichever is less  <b>&lt;High Capacitance series&gt;</b> $\Delta C/C$ Class2: Y5V: ±30% D.F. Class2: Y5V: 2 × initial value max $R_{ins}$ Class2: Y5V: 500 MΩ or $R_{ins} \times C_r \geq 25s$ whichever is less

TEST	TEST METHOD	PROCEDURE	REQUIREMENTS
Endurance	IEC 60384-21/22 4.14	<p>1. Preconditioning, class 2 only: 150 +0/-10 °C /1 hour, then keep for 24 ±1 hour at room temp</p> <p>2. Initial measure: Spec: refer initial spec C, D, IR</p> <p>3. Endurance test: Temperature: Y5V: 85 °C Specified stress voltage applied for 1,000 hours: Applied 2.0 × U<sub>r</sub> for general product. Applied 1.5 × U<sub>r</sub> for high cap. product.</p> <p>4. Recovery time: 24 ±2 hours</p> <p>5. Final measure: C, D, IR</p> <p>P.S. If the capacitance value is less than the minimum value permitted, then after the other measurements have been made the capacitor shall be precondition according to "IEC 60384 4.1" and then the requirement shall be met.</p>	<p>No visual damage</p> <hr/> <p>&lt;General purpose series&gt; ΔC/C Class2: Y5V: ±30% D.F. Class2: Y5V: ≤ 15% R<sub>ins</sub> Class2: Y5V: ≥ 1,000 MΩ or R<sub>ins</sub> × C<sub>r</sub> ≥ 50s whichever is less</p> <p>&lt;High Capacitance series&gt; ΔC/C Class 2: Y5V: ±30% D.F. Class 2: Y5V: 2 × initial value max R<sub>ins</sub> Class 2: Y5V: 1,000 MΩ or R<sub>ins</sub> × C<sub>r</sub> ≥ 50s whichever is less</p>
Voltage proof	IEC 60384-1 4.6	<p>Specified stress voltage applied for 1 minute</p> <p>U<sub>r</sub> ≤ 100 V: series applied 2.5 U<sub>r</sub> 100 V &lt; U<sub>r</sub> ≤ 200 V series applied (1.5 U<sub>r</sub> + 100) 200 V &lt; U<sub>r</sub> ≤ 500 V series applied (1.3 U<sub>r</sub> + 100) U<sub>r</sub> &gt; 500 V: 1.3 U<sub>r</sub> I: 7.5 mA</p>	No breakdown or flashover

REVISION HISTORY

REVISION	DATE	CHANGE NOTIFICATION	DESCRIPTION
Version 5	Jul 29, 2010	-	- Modify the last 2-digit of I2NC
Version 4	Jun 24, 2010	-	- Dimension on I206 case size updated
Version 3	Apr 22, 2010	-	- Dimension updated
Version 2	Feb 04, 2010	-	- The statement of "Halogen Free" on the cover added
Version 1	Nov 04, 2009	-	- Ordering code updated - Dimension updated
Version 0	Apr 15, 2009	-	- New datasheet for general purpose and high capacitance Y5V series with RoHS compliant - Replace the "6.3V to 50V" part of pdf files: Y5V_6.3V_10V_9_Preliminary, Y5V_10V-to-50V_10_Preliminary, Y5V_16V_25V_50V_11 - Combine 0201 from pdf files: UP-NPOX5RX7RY5V_0201_6.3-to-50V_2 and UY-NPOX5RX7RY5V_0201_6.3-to-50V_2 - Define global part number - Description of "Halogen Free compliant" added - Test method and procedure updated

# Mouser Electronics

Authorized Distributor

Click to View Pricing, Inventory, Delivery & Lifecycle Information:

## Yageo:

[CC0402ZRY5V7BB683](#) [CC0402ZRY5V7BB473](#) [CC0402ZRY5V7BB333](#) [CC0402ZRY5V7BB223](#)  
[CC0402ZRY5V7BB104](#) [CC0402ZRY5V7BB103](#) [CC0402ZRY5V6BB474](#) [CC0402ZRY5V6BB224](#)  
[CC0402ZRY5V5BB474](#) [CC0402MRY5V7BB473](#) [CC0402MRY5V7BB104](#) [CC0603JPX7R9BB103](#)  
[CC0603ZRY5V9BB223](#) [CC0603KPX7R9BB103](#) [CC0603KPX7R7BB104](#) [CC0603KPX7R9BB102](#)  
[CC0603KPX7R9BB472](#) [CC0603KPX7R9BB471](#) [CC0603ZRY5V9BB473](#) [CC0603MRY5V8BB104](#)  
[CC0603ZRY5V9BB104](#) [CC0603ZRY5V9BB103](#) [CC0603ZRY5V8BB473](#) [CC0603ZRY5V8BB104](#)  
[CC0603ZRY5V8BB103](#) [CC0603ZRY5V7BB334](#) [CC0603ZRY5V6BB474](#) [CC0603MRY5V7BB224](#)  
[CC0603MRY5V9BB473](#) [CC0603MRY5V9BB104](#) [CC0603MRY5V9BB103](#) [CC0603ZRY5V7BB224](#)  
[CC0805ZRY5V8BB224](#) [CC0805MRY5V9BB104](#) [CC0805ZRY5V9BB473](#) [CC0805ZRY5V9BB224](#)  
[CC0805ZRY5V9BB223](#) [CC0603ZRY5V5BB225](#) [CC0805ZKY5V6BB335](#) [CC0603KRX5R5BB105](#)  
[CC0603ZRY5V6BB225](#) [CC0603ZRY5V6BB105](#) [CC1210ZKY5V6BB226](#) [CC0805ZRY5V7BB334](#)  
[CC1210ZKY5V8BB106](#) [CC0402ZRY5V8BB104](#) [CC0402ZRY5V7BB224](#) [CC0402MRY5V7BB103](#)  
[CC0603JPX7R7BB333](#) [CC0603JPX7R9BB102](#) [CC0603JPX7R9BB222](#) [CC0603KPX7R6BB154](#)  
[CC0603KPX7R7BB473](#) [CC0603KPX7R7BB474](#) [CC0603KPX7R8BB223](#) [CC0603KPX7R8BB473](#)  
[CC0603KPX7R9BB101](#) [CC0603KPX7R9BB104](#) [CC0603KPX7R9BB183](#) [CC0603KPX7R9BB221](#)  
[CC0603KPX7R9BB222](#) [CC0603KPX7R9BB223](#) [CC0603KPX7R9BB272](#) [CC0603KPX7R9BB473](#)  
[CC0603KPX7R9BB682](#) [CC0603ZPY5V9BB104](#) [CC0603ZPY5V9BB473](#) [CC0603ZRY5V8BB224](#)  
[CC0805MRY5V8BB105](#) [CC0805MRY5V8BB474](#) [CC0805MRY5V9BB154](#) [CC0805MRY5V9BB334](#)  
[CC0805ZKY5V6BB475](#) [CC0805ZKY5V7BB475](#) [CC0805ZRY5V6BB225](#) [CC0402MRY5V6BB104](#)  
[CC0402MRY5V8BB104](#) [CC0402ZPY5V6BB334](#) [CC0402ZPY5V7BB104](#) [CC0402ZRY5V6BB684](#)  
[CC0402ZRY5V7BB154](#) [CC0402ZRY5V7BB334](#) [CC0402ZRY5V7BB474](#) [CC0402ZRY5V8BB103](#)  
[CC0402ZRY5V8BB223](#) [CC0402ZRY5V8BB473](#) [CC0603JPX7R9BB101](#) [CC0603JPX7R9BB223](#)  
[CC0603KPX7R6BB224](#) [CC0603KPX7R7BB105](#) [CC0603KPX7R7BB223](#) [CC0603KPX7R7BB333](#)  
[CC0603KPX7R7BB393](#) [CC0603KPX7R7BB823](#) [CC0603KPX7R8BB103](#) [CC0603KPX7R8BB104](#)  
[CC0603KPX7R8BB153](#) [CC0603KPX7R8BB683](#) [CC0603KPX7R9BB152](#) [CC0603KPX7R9BB331](#)