

Sales Outline Drawing

Revision **B**

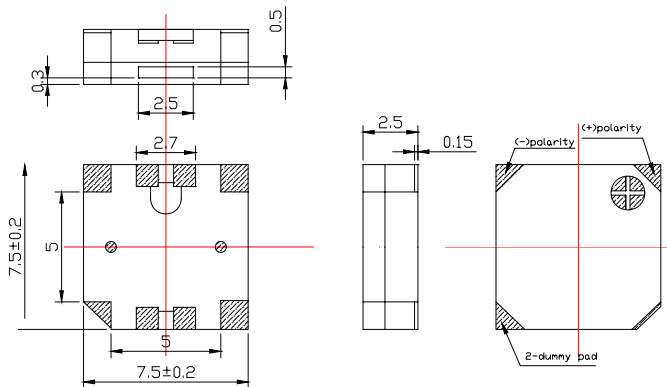
Specifications:

Oscillation Frequency (Hz)	2700
Operating Voltage (Vp-p)	2.5 ~ 4.5
Rated Voltage (Vp-p)	3.6
Current Consumption Max. (mA)	100 at Rated Voltage
Sound Pressure Level (dB/min)	85 at 10cm at Rated Voltage
Coil Resistance (Ω)	15 ± 3
Operating Temperature ($^{\circ}\text{C}$)	$-30 \sim +70$
Storage Temperature ($^{\circ}\text{C}$)	$-40 \sim +80$
Type of Connection Terminal	SMD
Housing	LCP plastic resin (Color : Black)
Weight (Grams)	2.0
Condition by reflow soldering ($^{\circ}\text{C}$)	$245 \pm 5 / 1 \text{ min}$
Condition by hand soldering ($^{\circ}\text{C}$)	$350 \pm 20 / \text{within } 5 \text{ sec}$
Options	For other options contact factory

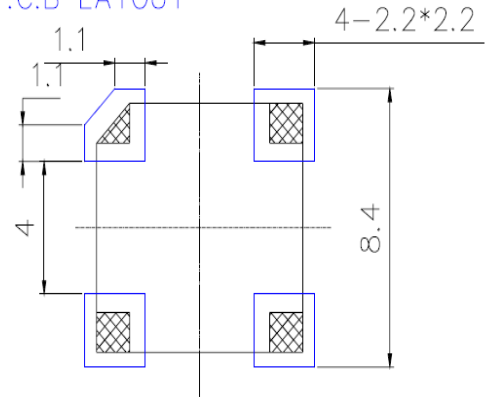
Dimensions: (units: mm)

PS: Vp-p=1/2duty, square wave

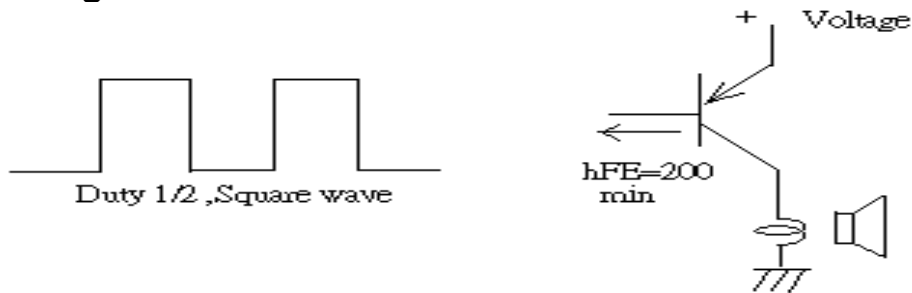
RoHS Compliant



RECOMMENDED P.C.B LAYOUT



Recommend Driving Circuit



Packaging:

Parts are supplied on reels (1000 pcs per tape and reel).
Units do not come with wash label and are not appropriate for aqueous wash.

Frequency Response:

