



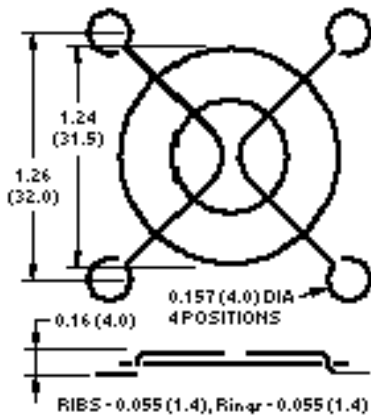
FAN GUARDS

[1.57 \(40\) 1600 Series](#) / [2.36 \(60\) 2400 Series](#) / [3.15 \(80\) 3100 Series](#)
[3.62 \(92\) 3600 Series](#) / [4.69 \(120\) 4700 Series](#) / [6 \(150\) 5900/6800 Series](#)

-
- Designed to insure safety
 - Comply with UL, CSA, and VDE requirements
 - Meets UL/CSA .250/6.35 spacing
 - Plating bright nickel chrome, black electro deposit available
 - Plating thickness of .0005 min.
 - Weld joints withstand 230 lbs. separation force
 - Wire base C1010 steel

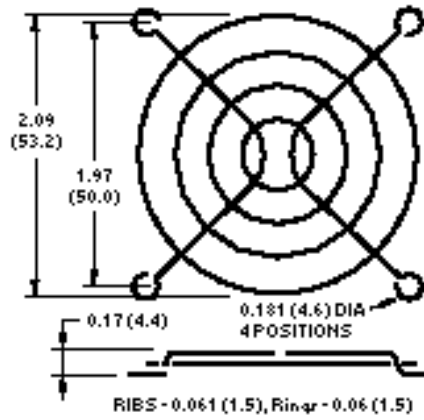
[TOP ▲](#)

055025



1.57 (40)
1600 Series

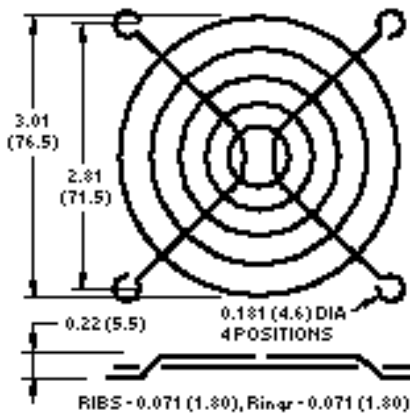
055023



2.36 (60)
2400 Series

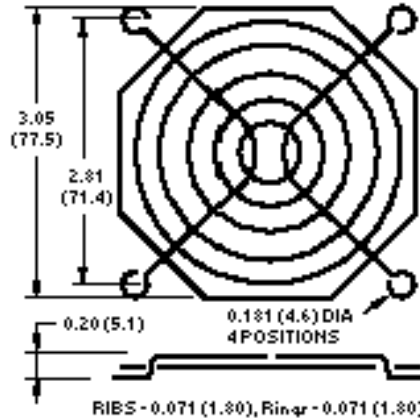
TOP ▲

055018



3.15 (80)
3100 Series

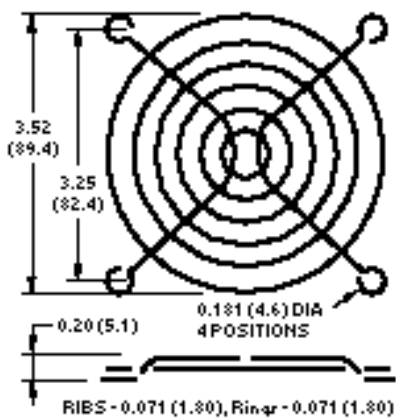
Not Available



3.15 (80)
Not Available

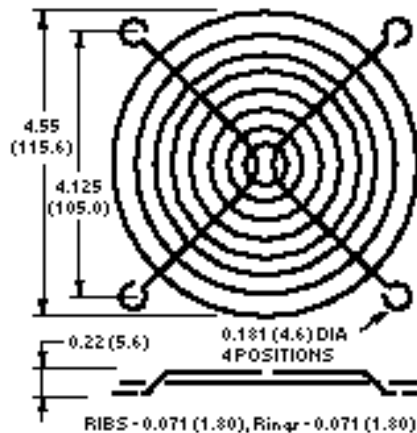
TOP ▲

055013



3.62 (92)
3600 Series

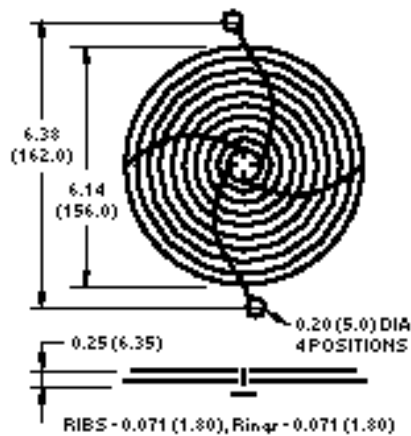
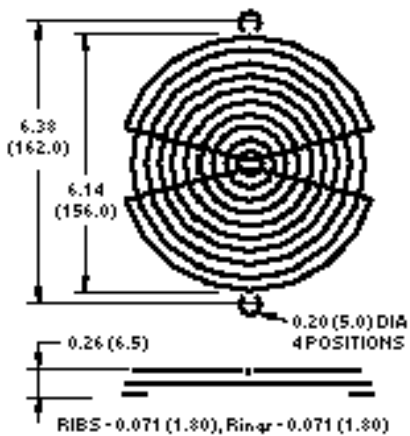
055015



4.69 (120)
4700 Series

055010

055011



6 (150)
5900/6800 Series

6 (150)
5900/6800 Series

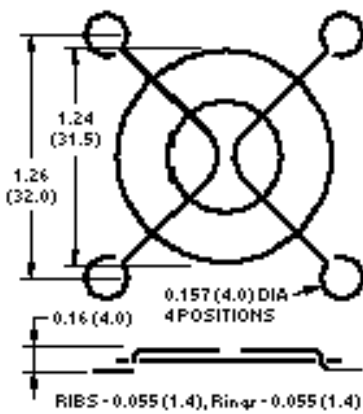
FAN GUARDS

[1.57 \(40\) 1600 Series](#) / [2.36 \(60\) 2400 Series](#) / [3.15 \(80\) 3100 Series](#) / [3.62 \(92\) 3600 Series](#) / [4.69 \(120\) 4700 Series](#) / [6 \(150\) 5900/6800 Series](#) / [1.0 \(25\) 1004 Series](#) / [5.0 \(127\) 5015 Series](#) / [2.0 \(50\) 2004 Series](#)

- Designed to insure safety
- Plating bright nickel chrome, black electro deposite available
- Plating thickness of .0005 min.
- Weld joints withstand 230 lbs. separation force
- Wire base C1010 steel

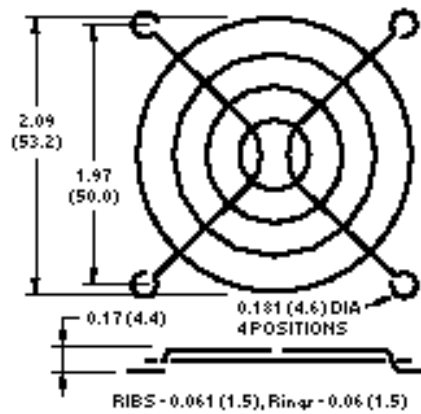
TOP ▲

055025



**1.57 (40)
1600 Series**

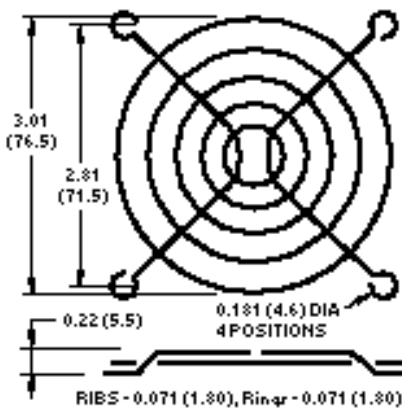
055023



**2.36 (60)
2400 Series**

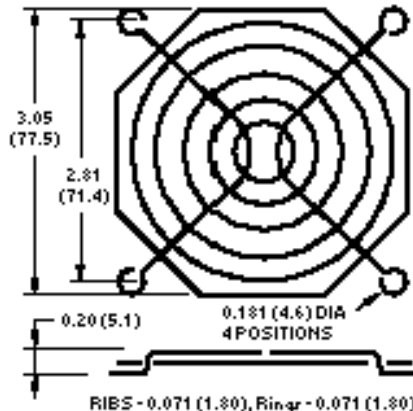
TOP ▲

055018



**3.15 (80)
3100 Series**

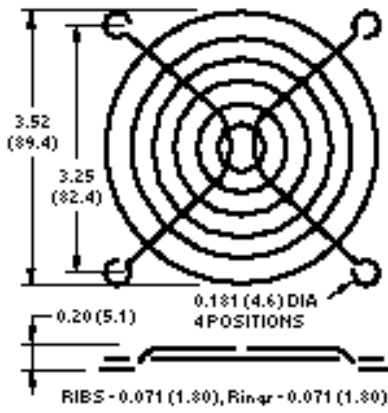
055019



**3.15 (80)
3100 Series**

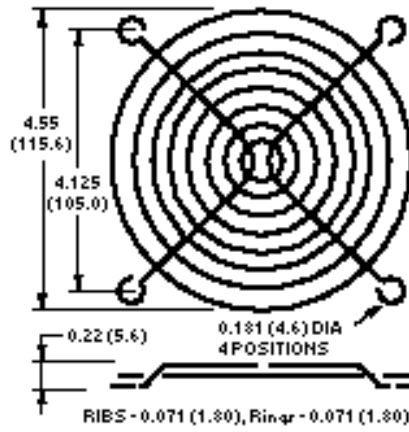
TOP ▲

055013



**3.62 (92)
3600 Series**

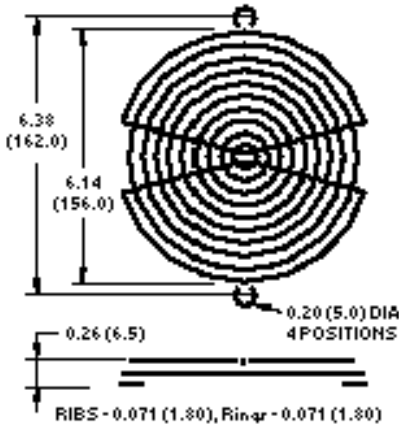
055015



**4.69 (120)
4700 Series**

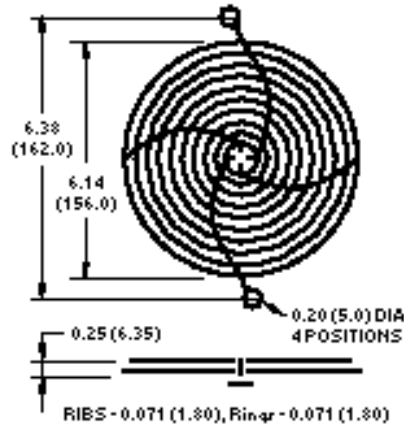
TOP ▲

055010



**6 (150)
5900/6800 Series**

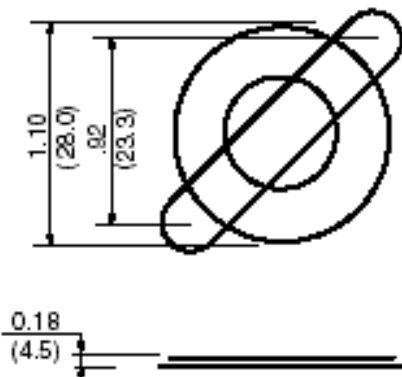
055011



**6 (150)
5900/6800 Series**

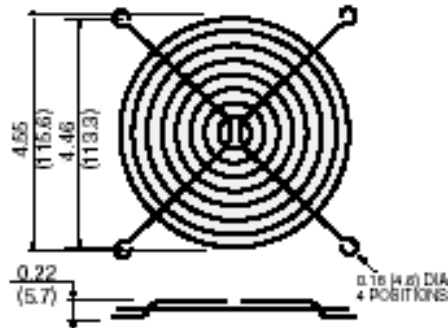
TOP ▲

055030



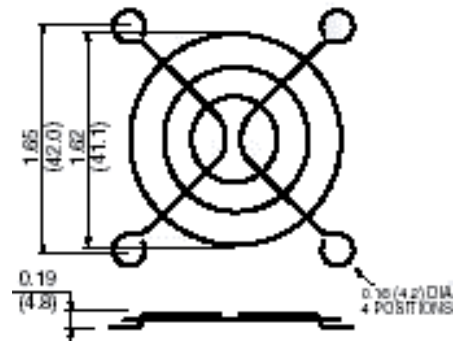
**1.0 (25)
1004 Series**

055015/055032



**5.0 (127)
5015 Series**

055031



**2.0 (50)
2004 Series**

Fan Mode	Fan Guards Part Number										Mounting Clips Part Number			Cord Sets Part Number				
	055010	055011	055013	055015	055018	055019	055023	055025	055030	055031	055032	512011	512020	512021	512023	432000	432002	432021
1004KL																		
1204KL																		
1404KL																		
1604KL																		
1606KL																		
1608KL																		
2004KL																		
2106KL																		
2406KL																		
2408NL																		
2410ML																		
2410ML Vented																		
3108NL																		
3110KL																		
3112KL																		
3610KL																		
3610KL Vented																		
3612KL																		
3615KL																		
4710KL																		
4712KL																		
4715KL																		
4715SL																		
5015KL																		
5020KL																		
5910PL																		
5920PL																		
6820PL																		
2412PS																		
3110PS																		
3115FS																		
3115PS																		
3610PS																		
4710PS																		
4715FS																		
4715MS																		
5915PC																		