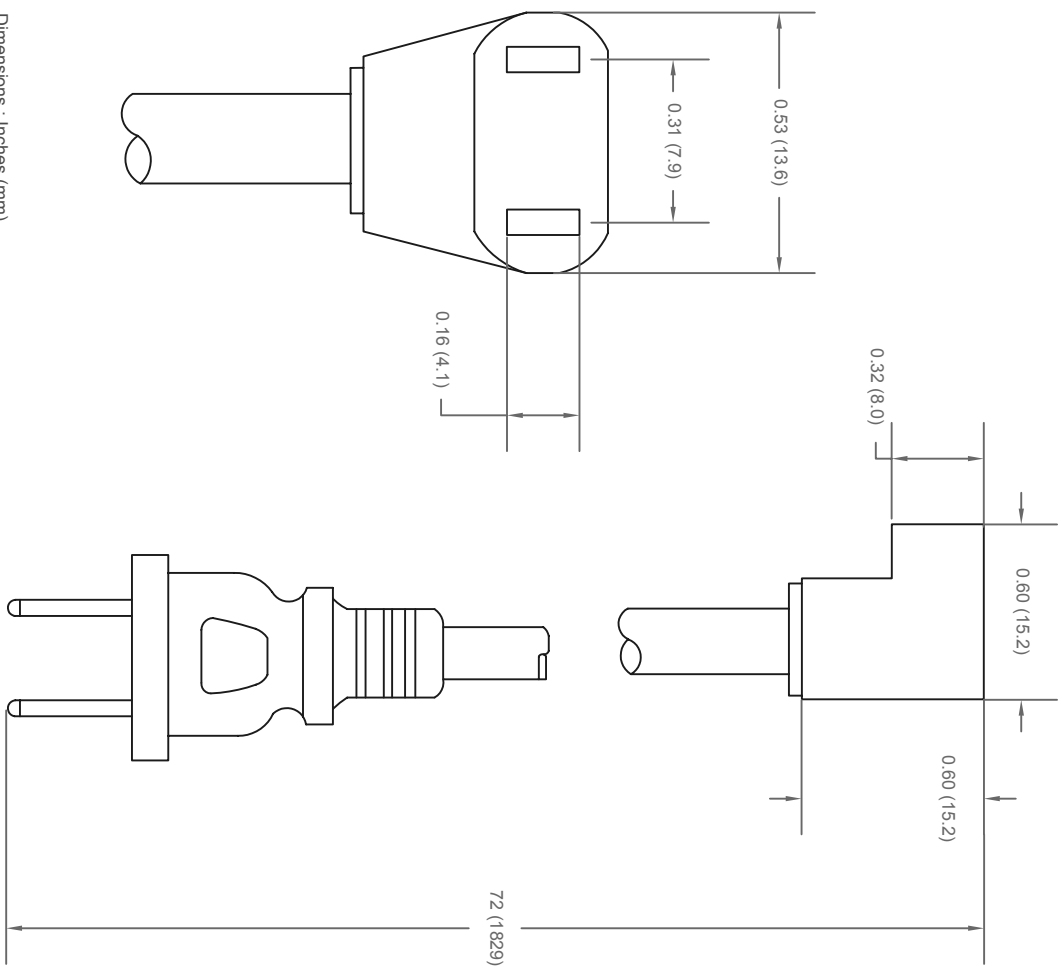
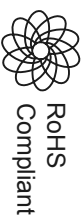




ALL RIGHTS RESERVED. NO PORTION OF THIS PUBLICATION, WHETHER IN WHOLE OR IN PART CAN BE REPRODUCED WITHOUT THE EXPRESS WRITTEN CONSENT OF SPC TECHNOLOGY.

SPC-F005.DWG

REVISIONS		DOC. NO. SPC-F005	* Effective: 7/8/02	* DCP No: 1398				
DCP #	REV	DESCRIPTION	DRAWN	DATE	CHECKD	DATE	APPRVD	DATE
			JAG	19-10-10	M/RD	19-10-10	XXX	02-11-10



Dimensions : Inches (mm)

Notes:
 Wire : SPT1 105°C, 300 volts, Black
 Plug : NEMA 1-15P
 Length : 72 inches (1829mm)

Part Number Table

Description	Part Number
90° Plug	MC32798

DISCLAIMER:
 ALL STATEMENTS AND TECHNICAL INFORMATION CONTAINED HEREIN ARE BASED UPON INFORMATION AND/OR TESTS WE BELIEVE TO BE ACCURATE AND RELIABLE. SINCE CONDITIONS OF USE ARE BEYOND OUR CONTROL, THE USER SHALL DETERMINE THE SUITABILITY OF THE PRODUCT FOR THE INTENDED USE AND ASSUME ALL RISK AND LIABILITY WHATSOEVER IN CONNECTION THEREWITH.

TOLERANCES:
 UNLESS OTHERWISE SPECIFIED, DIMENSIONS ARE FOR REFERENCE PURPOSES ONLY.

DRAWN BY:	JAG	DATE:	19-10-10
CHECKED BY:	M/RD	DATE:	19-10-10
APPROVED BY:	XXX	DATE:	02-11-10

DRAWING TITLE:		90° Plug	
SIZE	DWG. NO.	ELECTRONIC FILE	REV
A	MC32798	56P2994	A
SCALE:	NTS	U.O.M.: Millimeters	SHEET: 1 OF 1