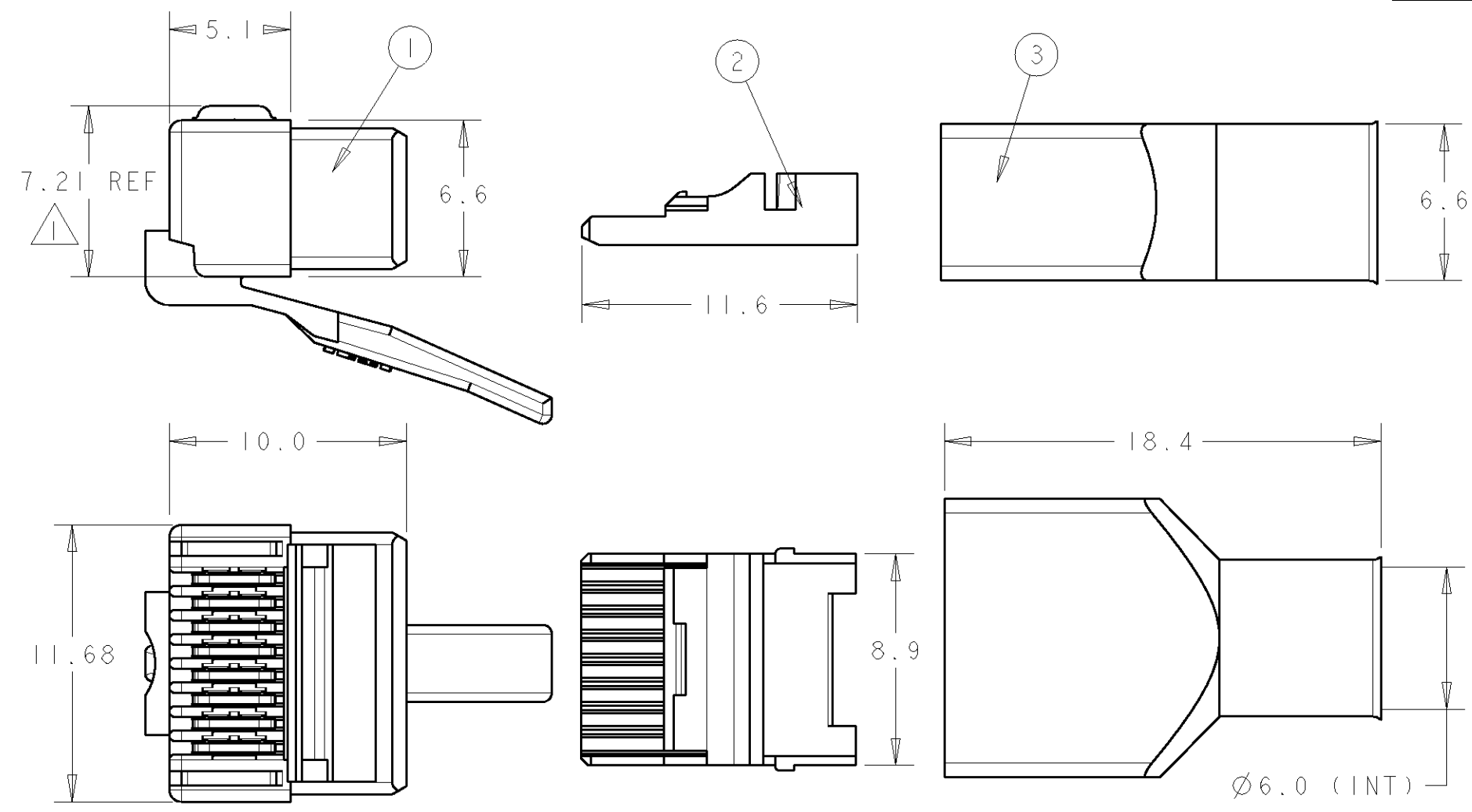
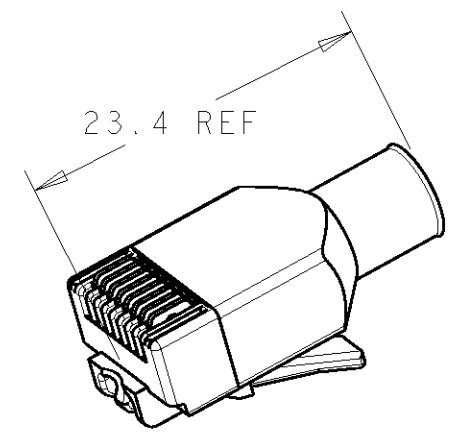


THIS DRAWING IS UNPUBLISHED. RELEASED FOR PUBLICATION 2008
 © COPYRIGHT - BY - ALL RIGHTS RESERVED.

LOC	DIST	REVISIONS					
1K	2	P	LTR	DESCRIPTION	DATE	DWN	APVD
				D1 REVISED PER ECO-11-005150	03MAY11	RK	HMR



- 1 TERMINATED DIMENSION 6.02±0.13
- 2 PACKAGING:
100 SUB-ASSEMBLIES,
100 WIRE HOLDERS AND
100 SHIELDS PER CARTON
- 3 PACKAGING:
1000 SUB-ASSEMBLIES,
1000 WIRE HOLDERS AND
1000 SHIELDS PER CARTON
- 4. CABLE RANGE:
- 4 TWISTED PAIRS
- JACKET DIAMETER: FROM 5.3 TO 6.0
- SHIELDING: FOIL AND/OR BRAID
- 24/26 AWG STRANDED WIRE
- INSULATION DIAMETER: FROM 0.8 TO 1.0
- 5 1.27 MICRONS MIN. THICK GOLD IN LOCALIZED GOLD PLATE AREA, GOLD FLASH ON THE REMAINDER OVER 1.27 MICRONS MIN. THICK NICKEL UNDERPLATE.
- 6. MEET SPECIFICATIONS:
- IEC 60603-7
- TIA/EIA 568-B.2
- 7. FLAMMABILITY RATING: UL 94V-0



		NICKEL	BRASS	SHIELD	3
3	2	---	PC	WIRE HOLDER	2
		CONTACT: 5	PC, PH. BRONZE	ASSY, 8 POSN, SHIELDED, ROUND CABLE, MOD PLUG	1
-2	-1	FINISH	MATERIAL	DESCRIPTION	ITEM

DIMENSIONS: mm		TOLERANCES UNLESS OTHERWISE SPECIFIED: 0 PLC ±- 1 PLC ±0.2 2 PLC ±0.1 3 PLC ±- 4 PLC ±- ANGLES ±- FINISH		DWN L. de Dios 22OCT08 CHK A. Puell 22OCT08 APVD J. Sanabra 22OCT08	TE Connectivity NAME KIT, 8 POSN, SHLD, RND CABLE, MOD PLUG	
MATERIAL SEE TABLE		FINISH SEE TABLE		PRODUCT SPEC 108-19102 APPLICATION SPEC 114-22008 WEIGHT -		
CUSTOMER DRAWING				SCALE 2:1	SHEET 1 OF 1	RESTRICTED TO - REV D1