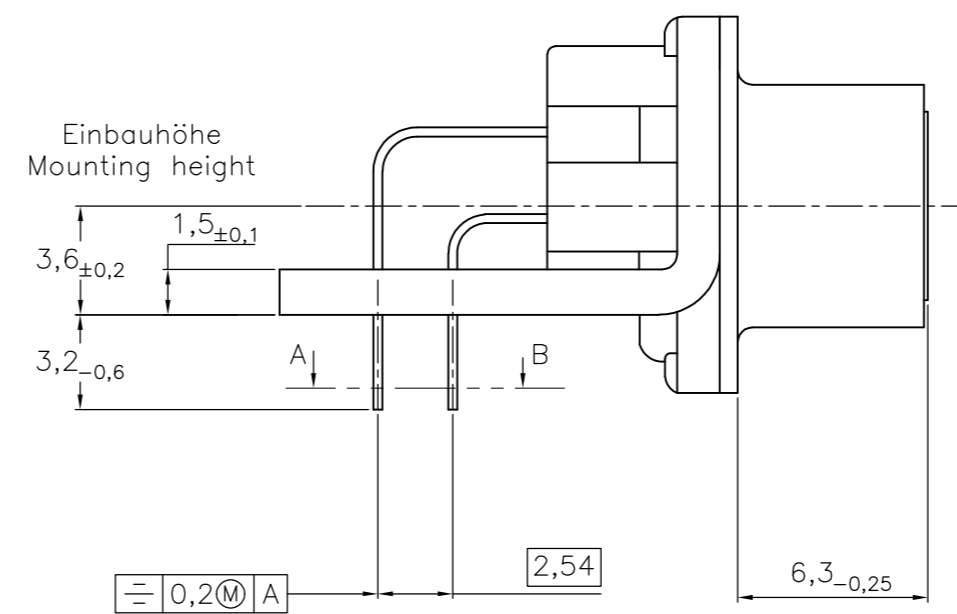
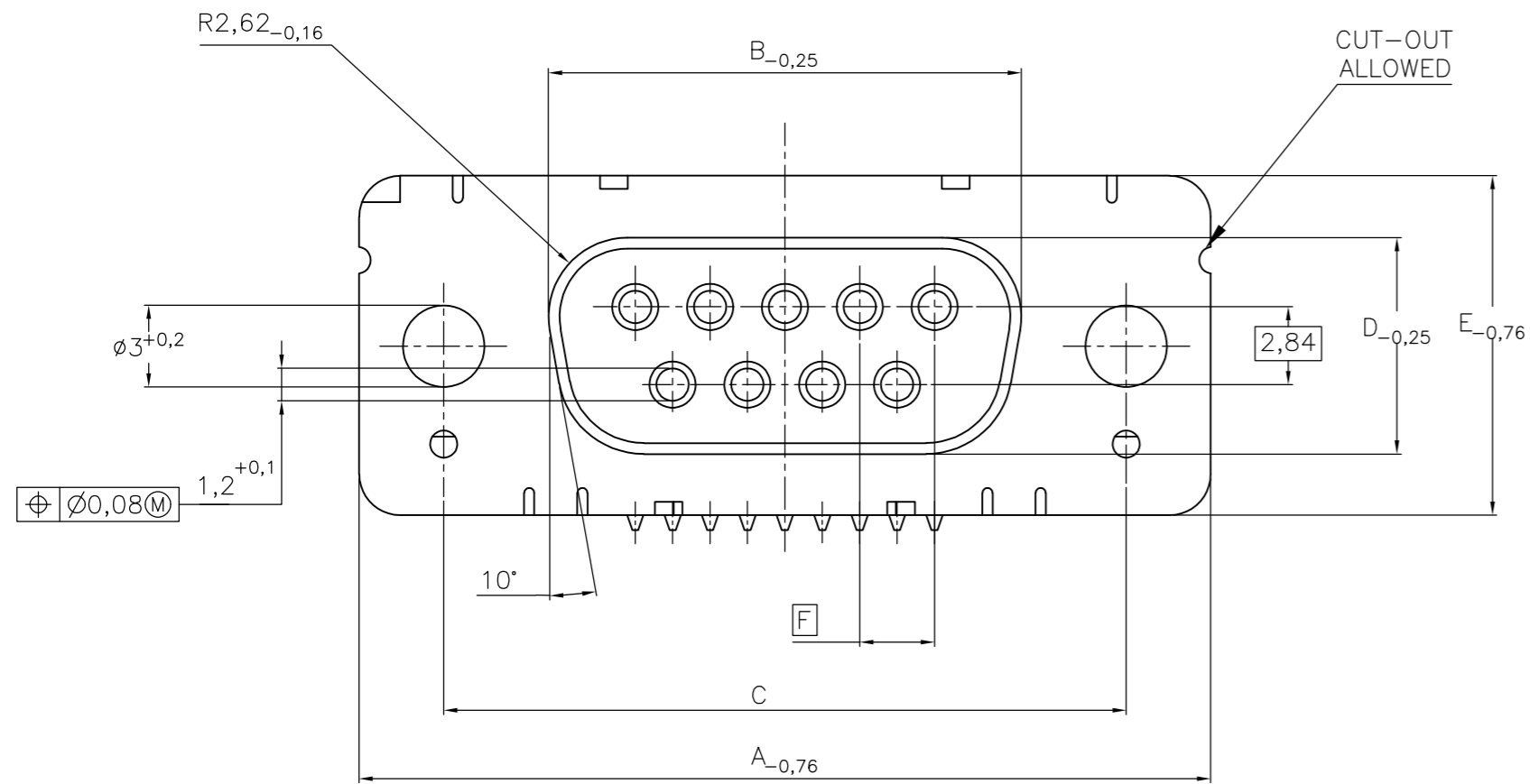


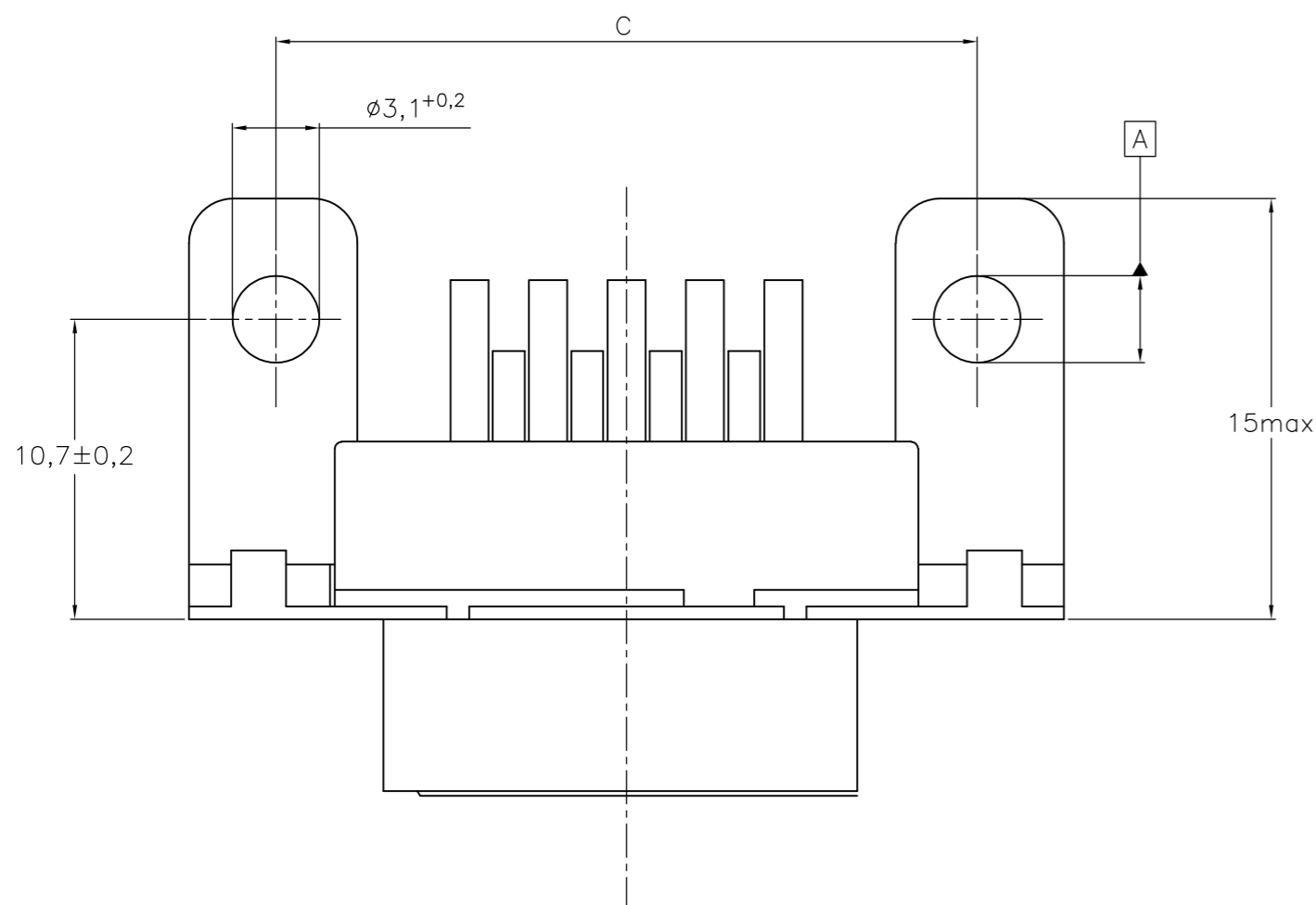
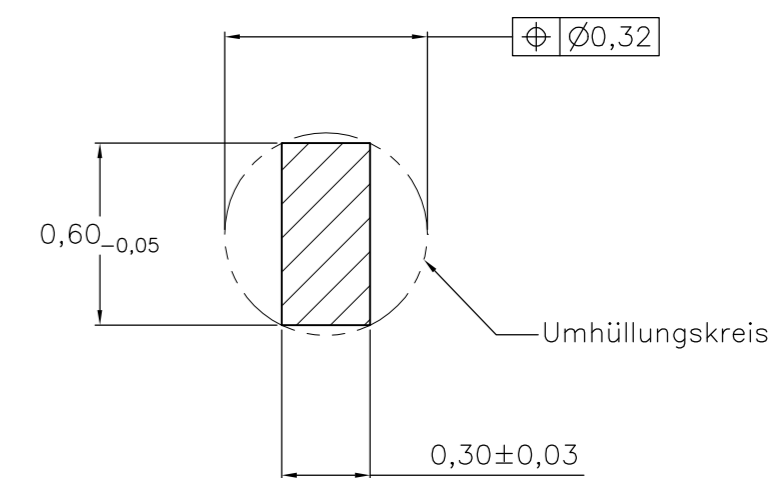
THIS DRAWING IS UNPUBLISHED. RELEASED FOR PUBLICATION
 © COPYRIGHT - By - ALL RIGHTS RESERVED.

LOC		DIST		REVISIONS			
P	LTR	DESCRIPTION	DATE	DWN	APVD		
	A5	REVISED PER ECO-11-005294	05APR11	RK	HMR		

Standardausführung: V23529-Bx121-Bxxx-+
 Standardversion



Schnitt AB des Lötanschlusses
 Cross-section AB of solderpin
 (20:1)



Ordercode Sachnr	Contacts Polzahl	Mass/Dimension					
		A	B	C	D	E	F
..-Bx09-+	09	31,19	16,46	25,0 $\begin{smallmatrix} +0,12 \\ -0,13 \end{smallmatrix}$	8,02	12,93	2,74
..-Bx15-+	15	39,52	24,79	33,3 $\begin{smallmatrix} +0,15 \\ -0,1 \end{smallmatrix}$			2,74
..-Bx25-+	25	53,42	38,5	47,04 $\begin{smallmatrix} +0,13 \\ -0,13 \end{smallmatrix}$			2,76
..-Bx37-+	37	69,7	54,96	63,5 $\begin{smallmatrix} +0,13 \\ -0,13 \end{smallmatrix}$			2,76

Anforderungsstufe/Performance level ¹⁾

1) nach DIN 41652T.2 und T.4
 according to DIN 41652 T.2 AND T.4

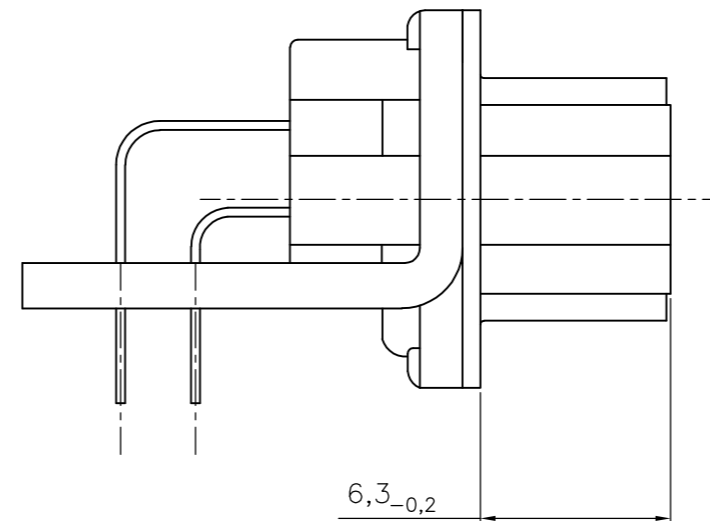
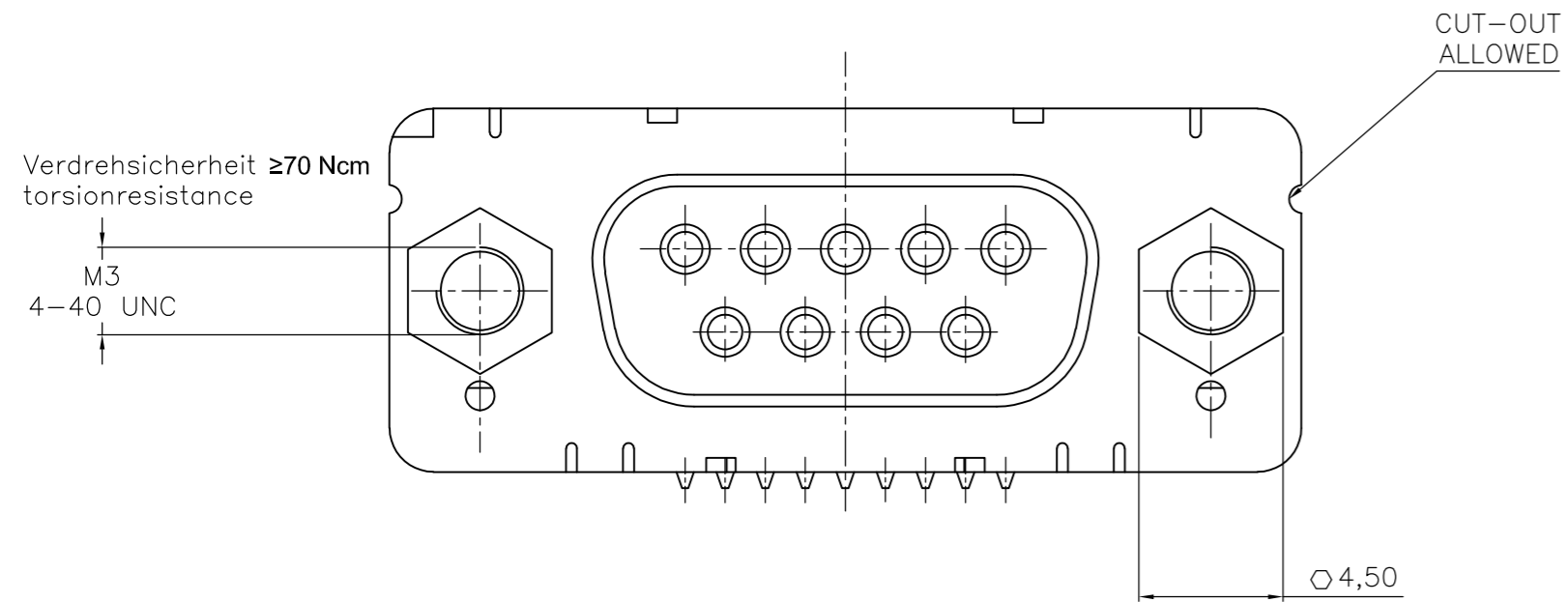
OLD PN: V23529-B****-B***-*-7427

THIS DRAWING IS A CONTROLLED DOCUMENT.		DWN	07JAN10					
		GNANI JADAV A E	-					
DIMENSIONS:		TOLERANCES UNLESS OTHERWISE SPECIFIED:		NAME				
mm		0 PLC ± -		Buchsenleiste ¹⁾				
		1 PLC ± -		Einbauhöhe 3,6 mm (Variante 1)				
		2 PLC ± -		Socketconnector-90° solderversion (Type1) ¹⁾				
		3 PLC ± -		SIZE		CAGE CODE	DRAWING NO	RESTRICTED TO
		4 PLC ± -		WEIGHT		A2	00779	C=1-1393480-7
MATERIAL		FINISH		CUSTOMER DRAWING		SCALE	SHEET	REV
-		-		-		2:1	1 of 6	A5

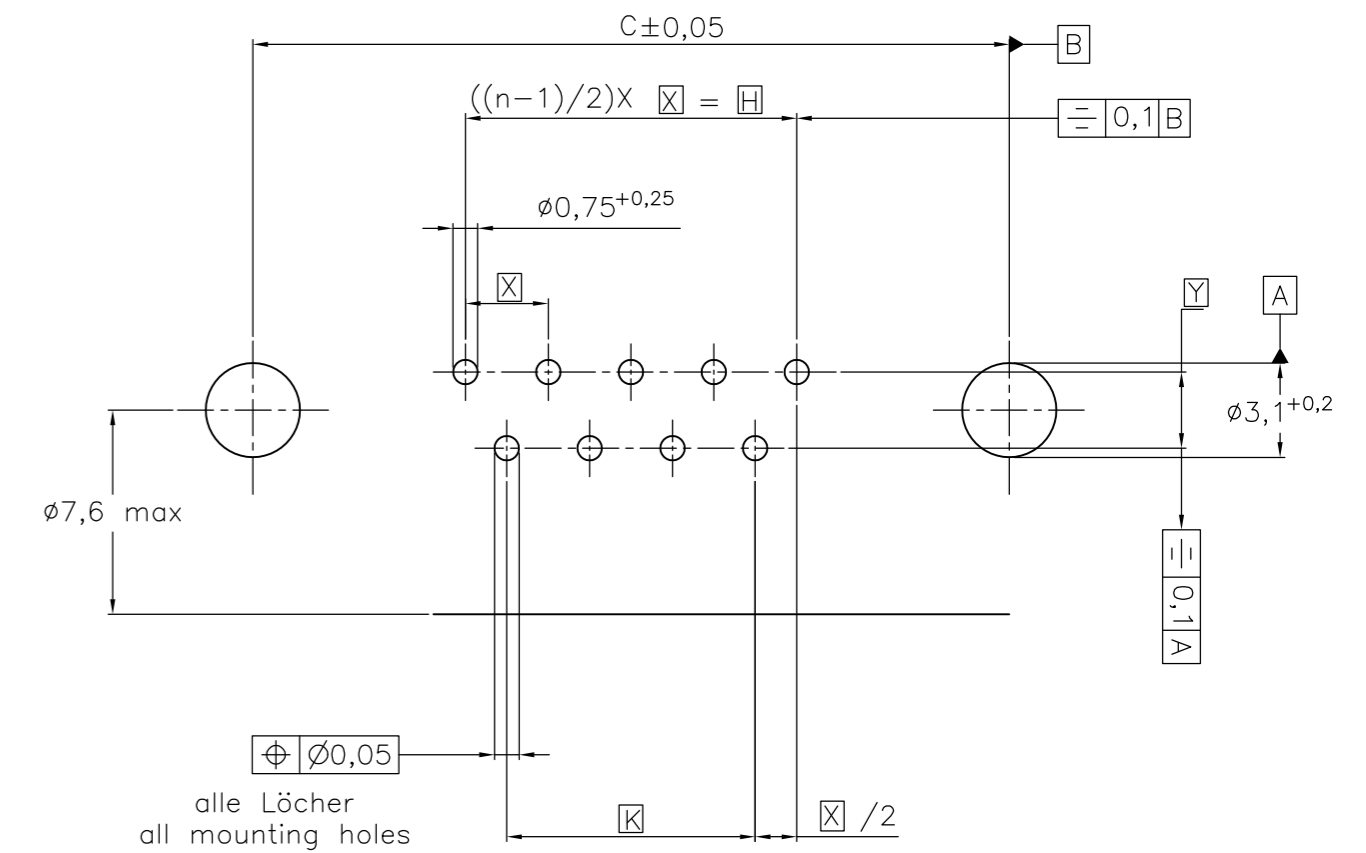
THIS DRAWING IS UNPUBLISHED. RELEASED FOR PUBLICATION
 © COPYRIGHT - By - ALL RIGHTS RESERVED.

LOC		DIST		REVISIONS			
P	LTR	DESCRIPTION	DATE	DWN	APVD		
-	-	SEE SHEET 1	-	-	-	-	-

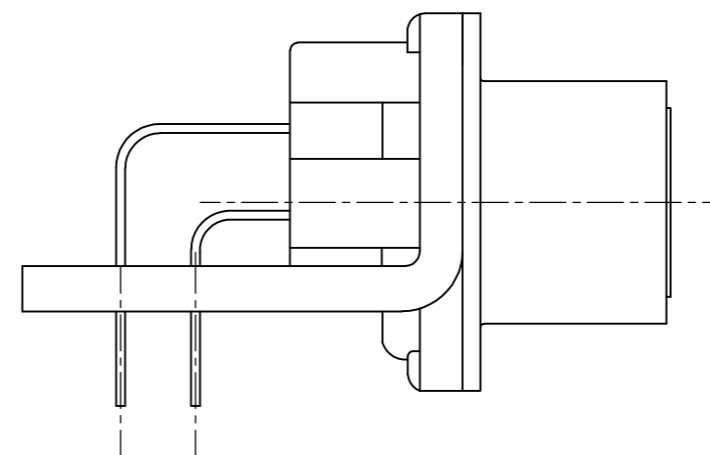
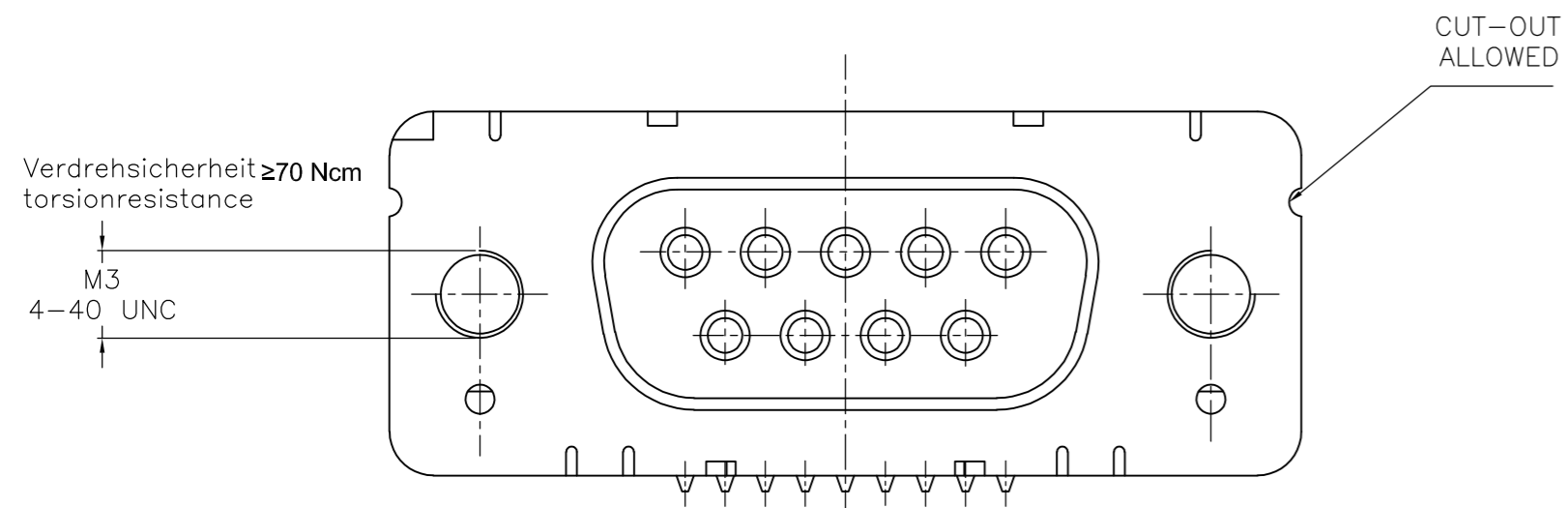
mit Gewindebolzen: M3 V23529-Bxx24-Bxxx-+
 with threadlock 4-40 UNC V23529-Bxx25-Bxxx-+



Leiterplattenbohrung
PCB hole pattern



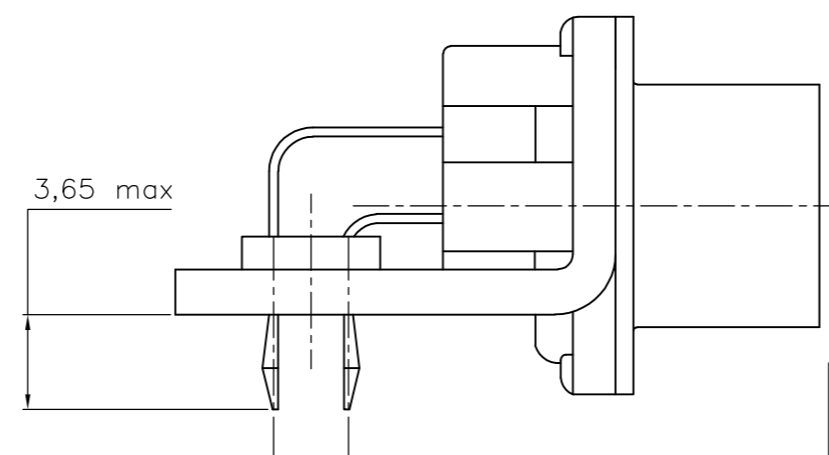
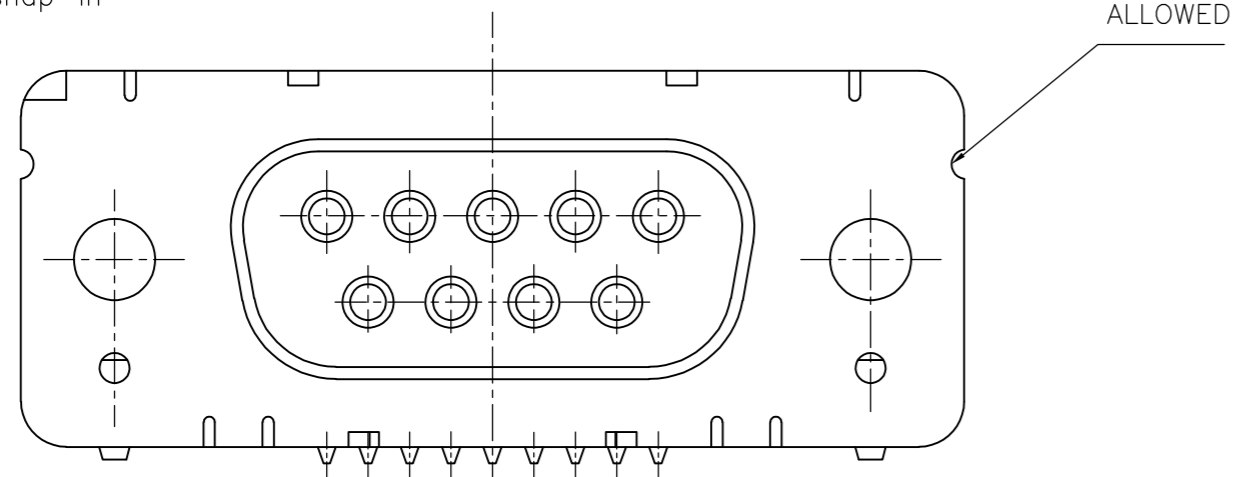
mit Gewinde : M3 V23529-Bxx22-Bxxx-+
 with thread 4-40 UNC V23529-Bxx23-Bxxx-+



Mass Dimension	Polzahl n Number of contacts n			
	9	15	25	37
C	25	33,3	47,04	63,5
H	10,96	19,18	33,12	49,68
K	8,22	16,44	30,36	46,92
X	2,74	2,74	2,76	2,76
Y	2,54			

1) nach DIN 41652.T.2 und T.4
 according to DIN 41652 T.2 AND T.4

mit clipbefestigung V23529-Bx22x-Bxxx-+
 with snap-in



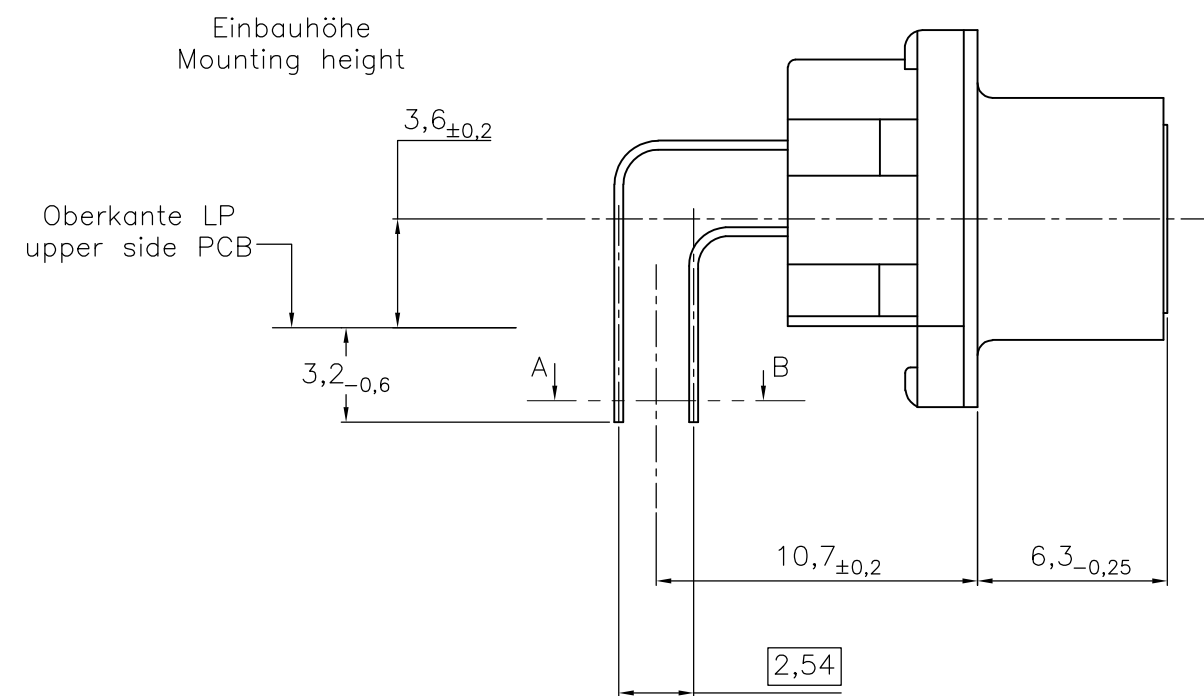
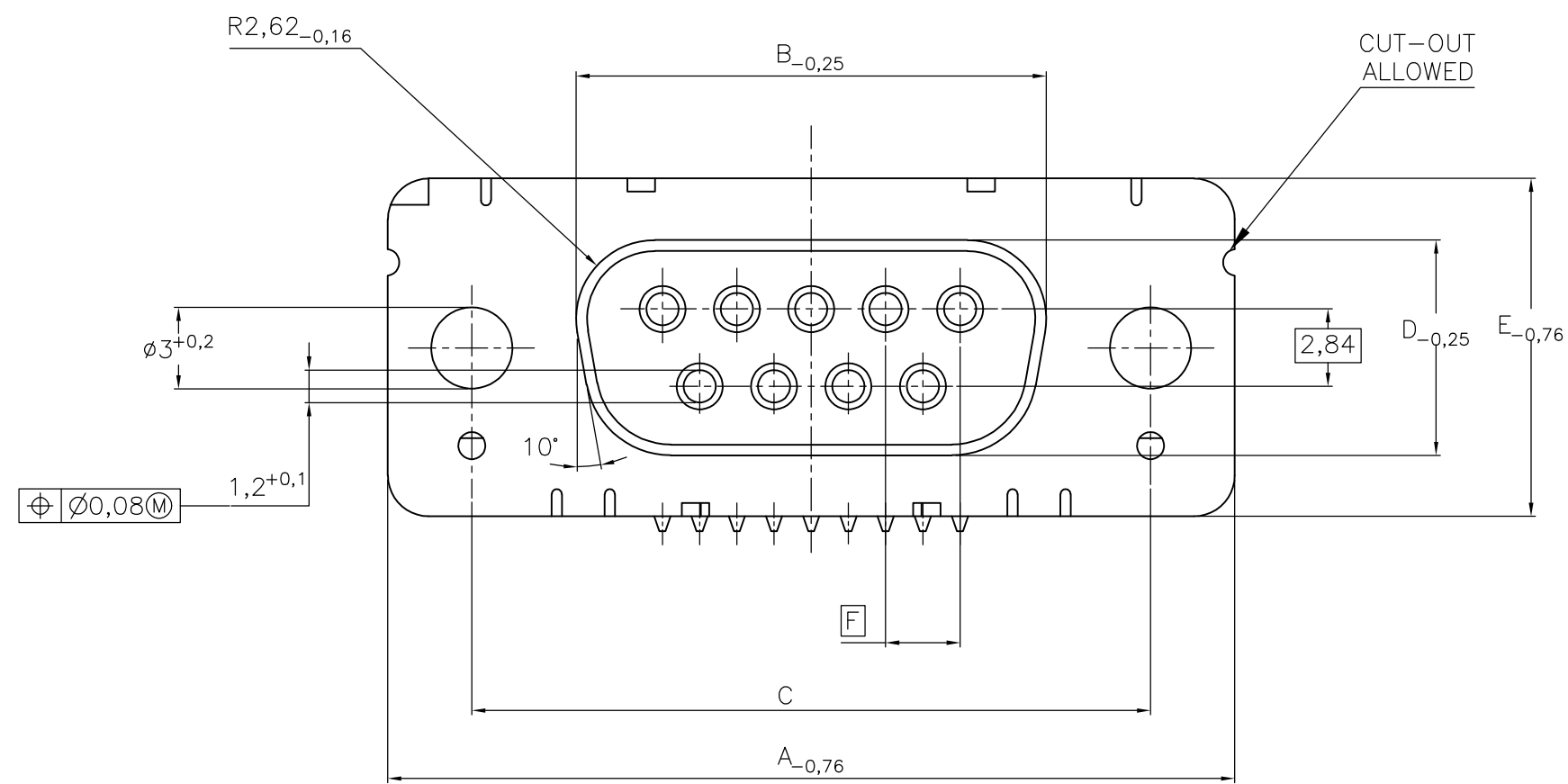
LP-Dicke 1,6±0,13mm, Loch 3,1^{+0,2}
 PC-board-thickness 1,6±0,13mm, Hole 3,1^{+0,2}

OLD PN: V23529-B*****-B***-*-7427

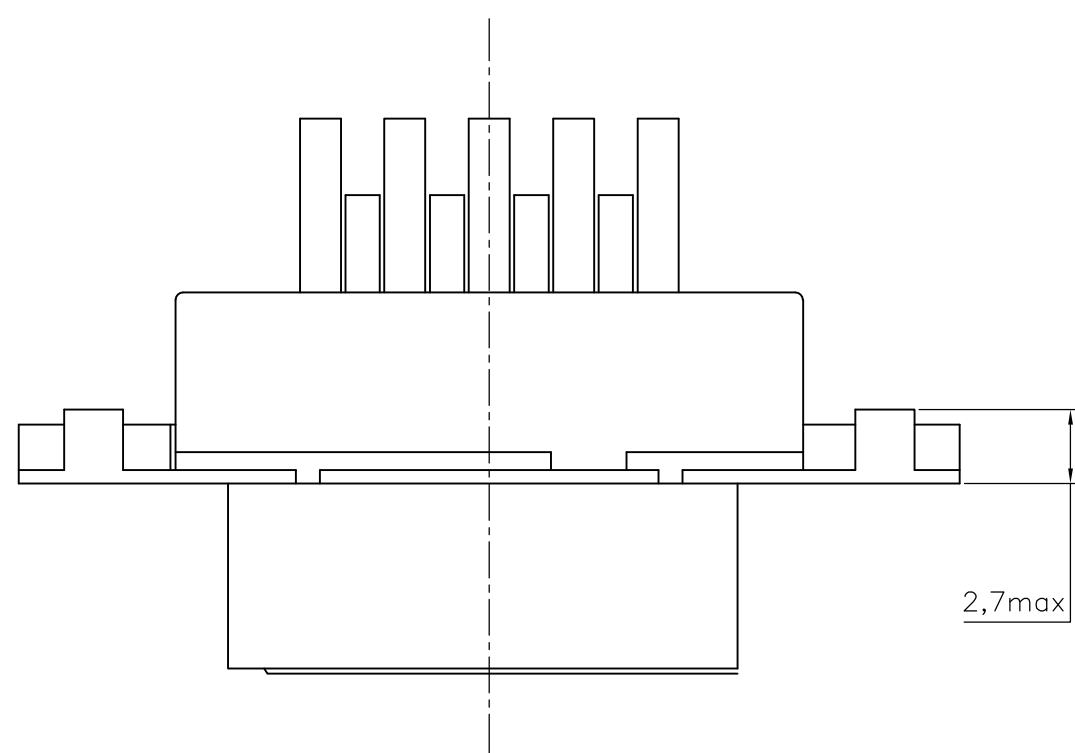
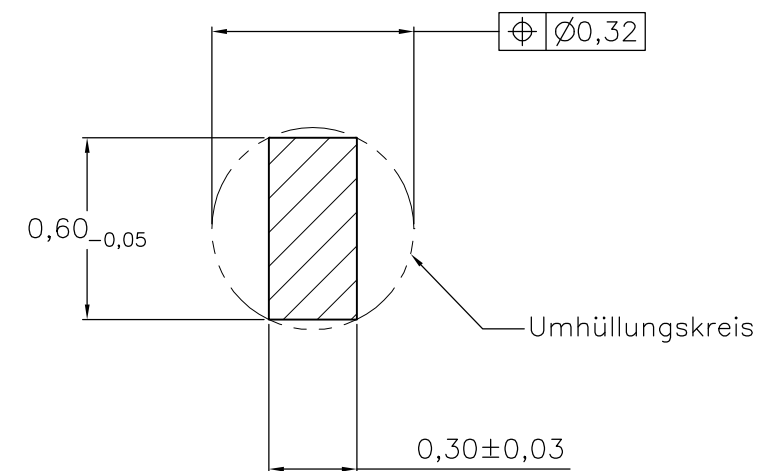
THIS DRAWING IS A CONTROLLED DOCUMENT.		DWN GNANI JADAV A E	07JAN10			TE Connectivity	
DIMENSIONS: mm		CHK K.MALCZYK	-			NAME Buchsenleiste 1) Einbauhöhe 3,6 mm (Variante 1) Socketconnector-90° solderversion (Type1) ¹⁾	
TOLERANCES UNLESS OTHERWISE SPECIFIED:		APVD K.MALCZYK	-		SIZE A2		
0 PLC ± -		PRODUCT SPEC	-		CAGE CODE 00779		
1 PLC ± -		APPLICATION SPEC	-		DRAWING NO C=1-1393480-7		
2 PLC ± -			-		RESTRICTED TO		
3 PLC ± -			-		SCALE 2:1		
4 PLC ± -			-		SHEET 2 of 6		
ANGLES ± -			-		REV A5		
FINISH		WEIGHT	-		CUSTOMER DRAWING		

LOC		DIST		REVISIONS			
P	LTR	DESCRIPTION	DATE	DWN	APVD		
-	-	SEE SHEET 1	-	-	-	-	-

Standardausführung ohne Winkel: V23529-B50x1-Bxxx-+
 Standardversion without bracket



Schnitt AB des Lötanschlusses
 Cross-section AB of solderpin
 (20:1)



Ordercode Sachnr	Contacts Polzahl	Mass/Dimension					
		A	B	C	D	E	F
..-Bx09-+	09	31,19	16,46	25,0 $\begin{smallmatrix} +0,12 \\ -0,13 \end{smallmatrix}$	8,02	12,93	2,74
..-Bx15-+	15	39,52	24,79	33,3 $\begin{smallmatrix} +0,15 \\ -0,1 \end{smallmatrix}$			2,74
..-Bx25-+	25	53,42	38,5	47,04 $\begin{smallmatrix} +0,13 \\ -0,13 \end{smallmatrix}$			2,76
..-Bx37-+	37	69,7	54,96	63,5 $\begin{smallmatrix} +0,13 \\ -0,13 \end{smallmatrix}$			2,76

Anforderungsstufe/Performance level ¹⁾

OLD PN: V23529-B****-B***-*-7427

1) nach DIN 41652 T.2 und T.4
 according to DIN 41652 T.2 AND T.4

THIS DRAWING IS A CONTROLLED DOCUMENT.		DWN GNANI JADAV A E	07JAN10		TE Connectivity	
DIMENSIONS: mm		CHK K.MALCZYK	APVD K.MALCZYK			
TOLERANCES UNLESS OTHERWISE SPECIFIED:		PRODUCT SPEC		APPLICATION SPEC		SIZE
0 PLC ± -		WEIGHT		CAGE CODE		DRAWING NO
1 PLC ± -		CUSTOMER DRAWING		SCALE		SHEET
2 PLC ± -		SCALE		SHEET		REV
3 PLC ± -		SCALE		SHEET		REV
4 PLC ± -		SCALE		SHEET		REV
ANGLES ± -		SCALE		SHEET		REV
FINISH		SCALE		SHEET		REV
FINISH		SCALE		SHEET		REV

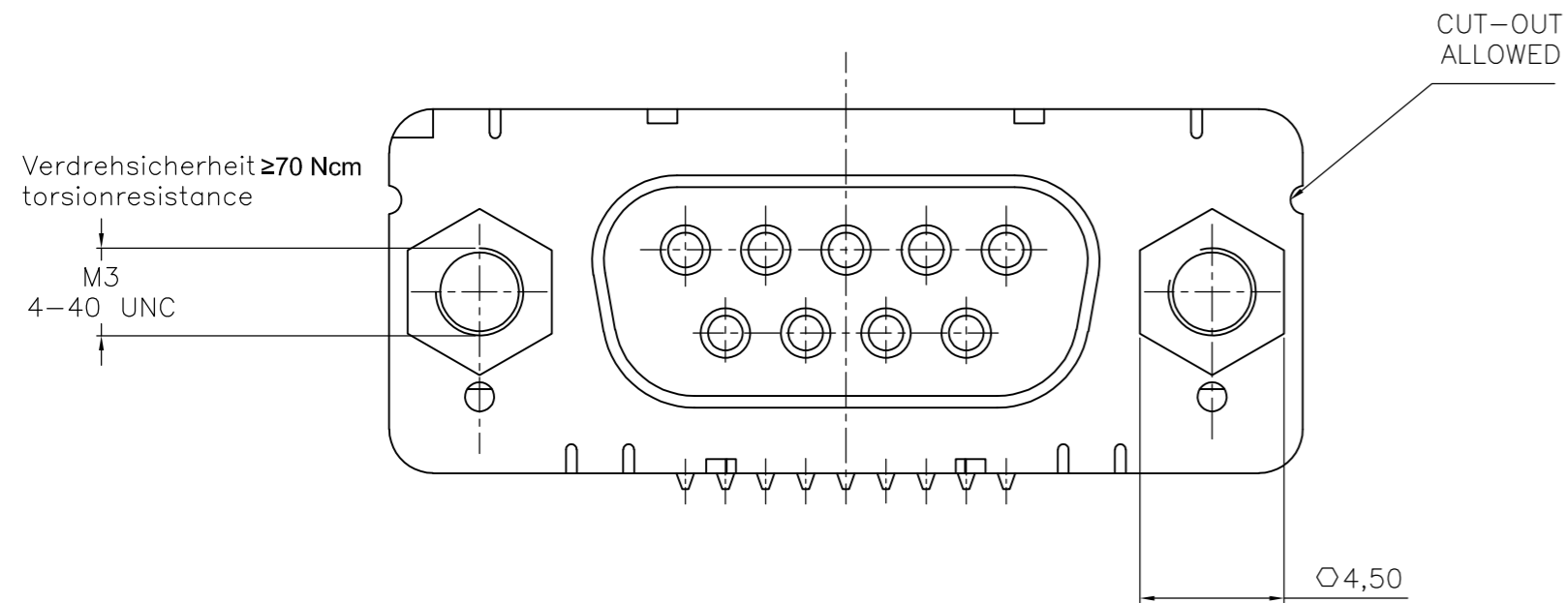
Buchsenleiste ¹⁾
 Einbauhöhe 3,6 mm (Variante 1)
 Socketconnector-90° solderversion (Type1) ¹⁾

SIZE A2 CAGE CODE 00779 DRAWING NO C=1-1393480-7 RESTRICTED TO -
 SCALE 2:1 SHEET 3 of 6 REV A5

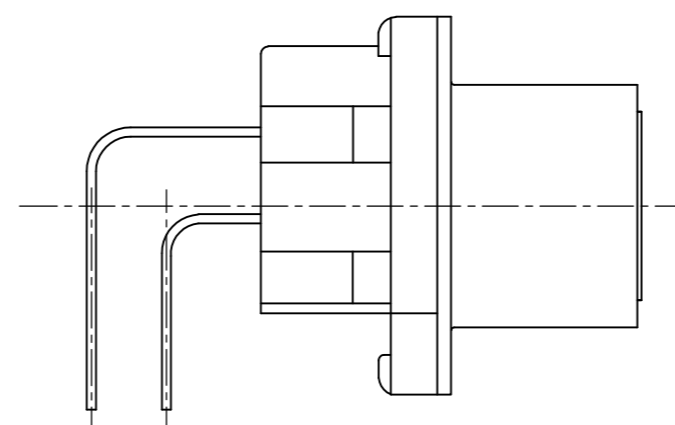
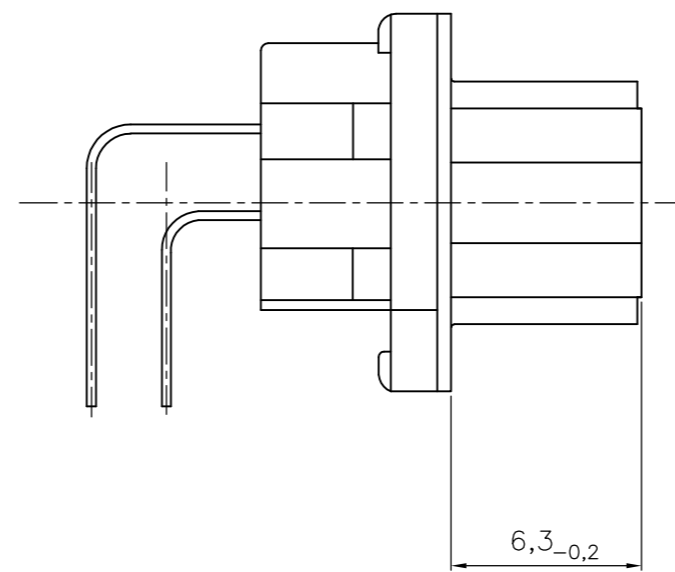
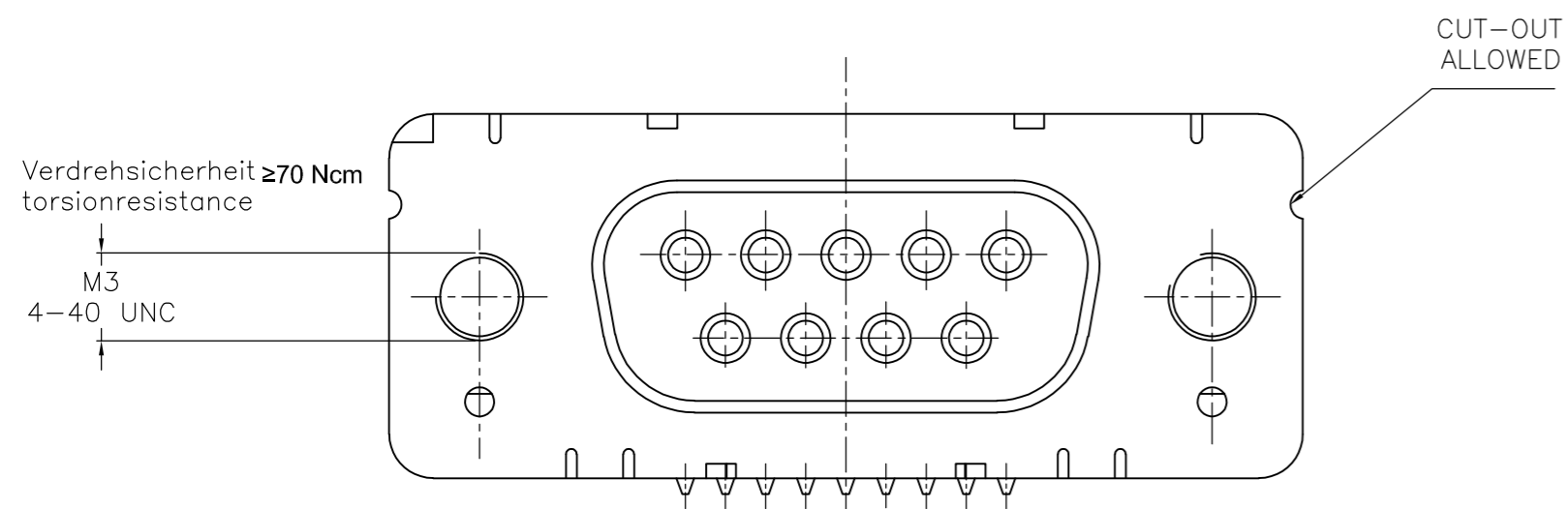
THIS DRAWING IS UNPUBLISHED. RELEASED FOR PUBLICATION
 © COPYRIGHT - By - ALL RIGHTS RESERVED.

LOC		DIST		REVISIONS			
P	LTR	DESCRIPTION	DATE	DWN	APVD		
-	-	SEE SHEET 1	-	-	-		

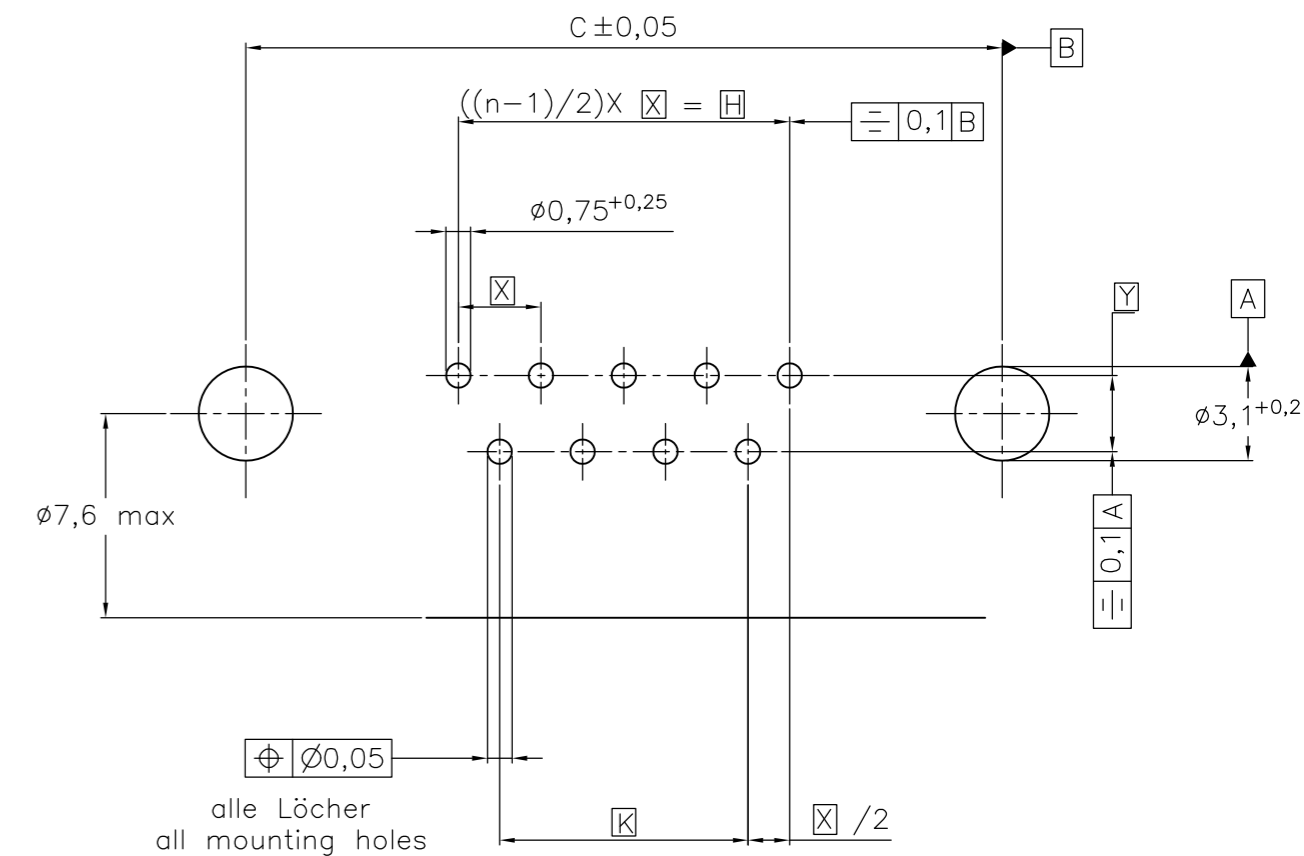
mit Gewindebolzen: M3 V23529-B50x4-Bxxx-+
 with threadlock 4-40 UNC V23529-B50x5-Bxxx-+



mit Gewinde : M3 V23529-B50x2-Bxxx-+
 with thread 4-40 UNC V23529-B50x3-Bxxx-+



Leiterplattenbohrung
PCB hole pattern



Mass Dimension	Polzahl n Number of contacts n			
	9	15	25	37
C	25	33,3	47,04	63,5
H	10,96	19,18	33,12	49,68
K	8,22	16,44	30,36	46,92
X	2,74	2,74	2,76	2,76
Y	2,54			

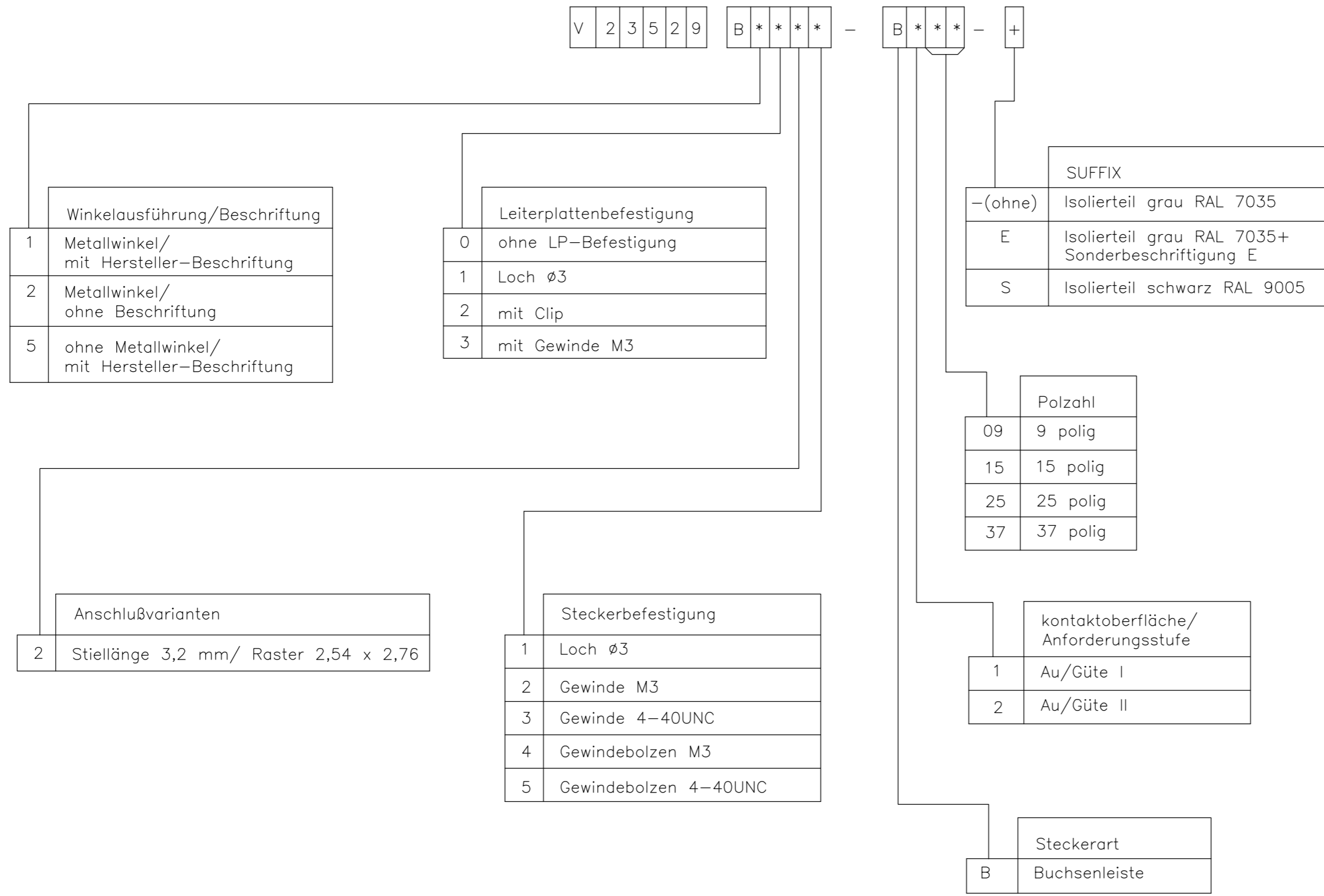
1) nach DIN 41652T.2 und T.4
 according to DIN 41652 T.2 AND T.4

OLD PN: V23529-B****-B***-*-7427

THIS DRAWING IS A CONTROLLED DOCUMENT.		DWN GNANI JADAV A E 07JAN10	TE Connectivity	
DIMENSIONS: mm		CHK K.MALCZYK	NAME Buchsenleiste ¹⁾ Einbauhöhe 3,6 mm (Variante 1) Socketconnector-90° solderversion (Type1) ¹⁾	
TOLERANCES UNLESS OTHERWISE SPECIFIED:		APVD K.MALCZYK	SIZE A2	CAGE CODE 00779
0 PLC ± - 1 PLC ± - 2 PLC ± - 3 PLC ± - 4 PLC ± - ANGLES ± -		PRODUCT SPEC APPLICATION SPEC	DRAWING NO C=1-1393480-7	RESTRICTED TO -
MATERIAL -	FINISH -	WEIGHT -	SCALE 2:1	SHEET 4 of 6
CUSTOMER DRAWING			REV A5	

THIS DRAWING IS UNPUBLISHED. RELEASED FOR PUBLICATION
 © COPYRIGHT - By - ALL RIGHTS RESERVED.

LOC		DIST		REVISIONS			
P	LTR	DESCRIPTION	DATE	DWN	APVD		
-	-	SEE SHEET 1	-	-	-		



1) nach DIN 41652T.2 und T.4 according to DIN 41652 p.2 AND p.4

OLD PN: V23529-B*****-B***-*-7427

THIS DRAWING IS A CONTROLLED DOCUMENT.		DWN	GNANI JADAV A E	07JAN10	TE Connectivity	
DIMENSIONS: mm		CHK	K.MALCZYK	APVD	NAME	
		TOLERANCES UNLESS OTHERWISE SPECIFIED:		Buchsenleiste Einbauhöhe 3,6 mm (Variante 1) ¹⁾ Socketconnector-90° solderversion (Type1) ¹⁾		
MATERIAL		FINISH		WEIGHT		RESTRICTED TO
-		-		-		-
CUSTOMER DRAWING			SCALE	SHEET	REV	
-			2:1	5 of 6	A5	

THIS DRAWING IS UNPUBLISHED. RELEASED FOR PUBLICATION
 © COPYRIGHT - By - ALL RIGHTS RESERVED.

LOC	DIST	REVISIONS					
		P	LTR	DESCRIPTION	DATE	DWN	APVD
GW	-	-	-	SEE SHEET 1	-	-	-


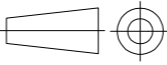
Active part numbers. Contact TE CONNECTIVITY for other configuration availability

Old Part Number	TE CONNECTIVITY Part Number
V23529-B1121-B209	1-1393480-7
V23529-B1121-B215	1-1393480-8
V23529-B1121-B225	1-1393480-9
V23529-B1121-B237	2-1393480-0
V23529-B1122-B209	2-1393480-8
V23529-B1122-B215	2-1393480-9
V23529-B1122-B225	3-1393480-0
V23529-B1122-B237	3-1392010-8
V23529-B1123-B109	3-1393480-4
V23529-B1123-B209	3-1393480-6
V23529-B1123-B215	3-1393480-7
V23529-B1123-B225	3-1393480-8
V23529-B1123-B237	3-1393480-9
V23529-B1125-B209	4-1393480-7
V23529-B1125-B215	4-1393480-8
V23529-B1125-B225	4-1393480-9
V23529-B1125-B237	5-1393480-0
V23529-B1221-B209	5-1393480-5
V23529-B1221-B215	5-1393480-6
V23529-B1221-B225	5-1393480-7
V23529-B1222-B109	6-1393480-4

Old Part Number	TE CONNECTIVITY Part Number
V23529-B1222-B115	6-1393480-5
V23529-B1222-B125	6-1393480-6
V23529-B1222-B209	6-1393480-7
V23529-B1222-B215	6-1393480-8
V23529-B1222-B225	6-1393480-9
V23529-B1222-B237	7-1393480-0
V23529-B1223-B109	7-1393480-8
V23529-B1223-B115	7-1393480-9
V23529-B1223-B125	8-1393480-0
V23529-B1223-B209	8-1393480-1
V23529-B1223-B215	8-1393480-2
V23529-B1223-B225	8-1393480-3
V23529-B1223-B237	8-1393480-4
V23529-B1224-B209	9-1393480-0
V23529-B1224-B215	9-1393480-1
V23529-B1224-B225	9-1393480-2
V23529-B1225-B209	9-1393480-9
V23529-B1225-B215	1393481-1
V23529-B1225-B225	1393481-2
V23529-B1225-B237	3-1392010-7
V23529-B2221-B209	1-1393481-1

1) nach DIN 41652 T.2 und T.4
 according to DIN 41652 p.2 AND p.4

OLD PN: V23529-B****-B***-*-7427

THIS DRAWING IS A CONTROLLED DOCUMENT.		DWN	07JAN10		 TE Connectivity	
DIMENSIONS: mm		CHK	GNANI JADAV A E			NAME Buchsenleiste ¹⁾ Einbauhöhe 3,6 mm (Variante 1) Socketconnector-90° solderversion (Type1) ¹⁾
		APVD	K.MALCZYK			
TOLERANCES UNLESS OTHERWISE SPECIFIED:		PRODUCT SPEC	K.MALCZYK			RESTRICTED TO
0 PLC ± - 1 PLC ± - 2 PLC ± - 3 PLC ± - 4 PLC ± - ANGLES ± -		APPLICATION SPEC	-		SIZE	
MATERIAL		WEIGHT	-		CAGE CODE	
FINISH		-		DRAWING NO	00779	
-		-		DRAWING NO		
-		-		A2 00779 C=1-1393480-7		
-		-		CUSTOMER DRAWING		
-		-		SCALE	2:1	
-		-		SHEET	6 of 6	
-		-		REV	A5	

1-1393480-7