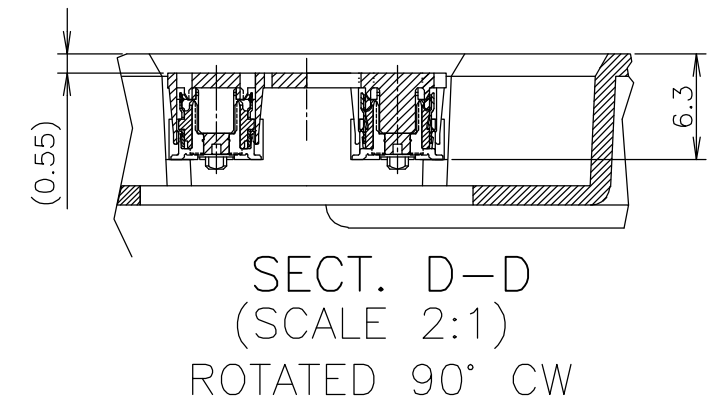
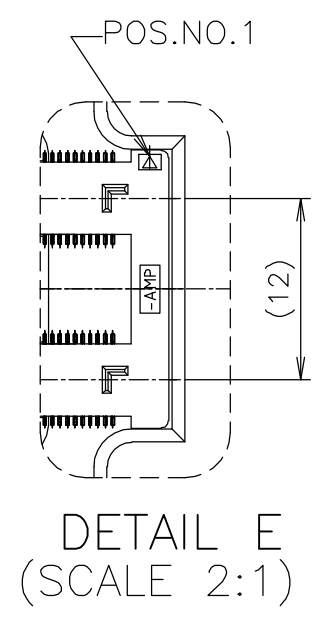
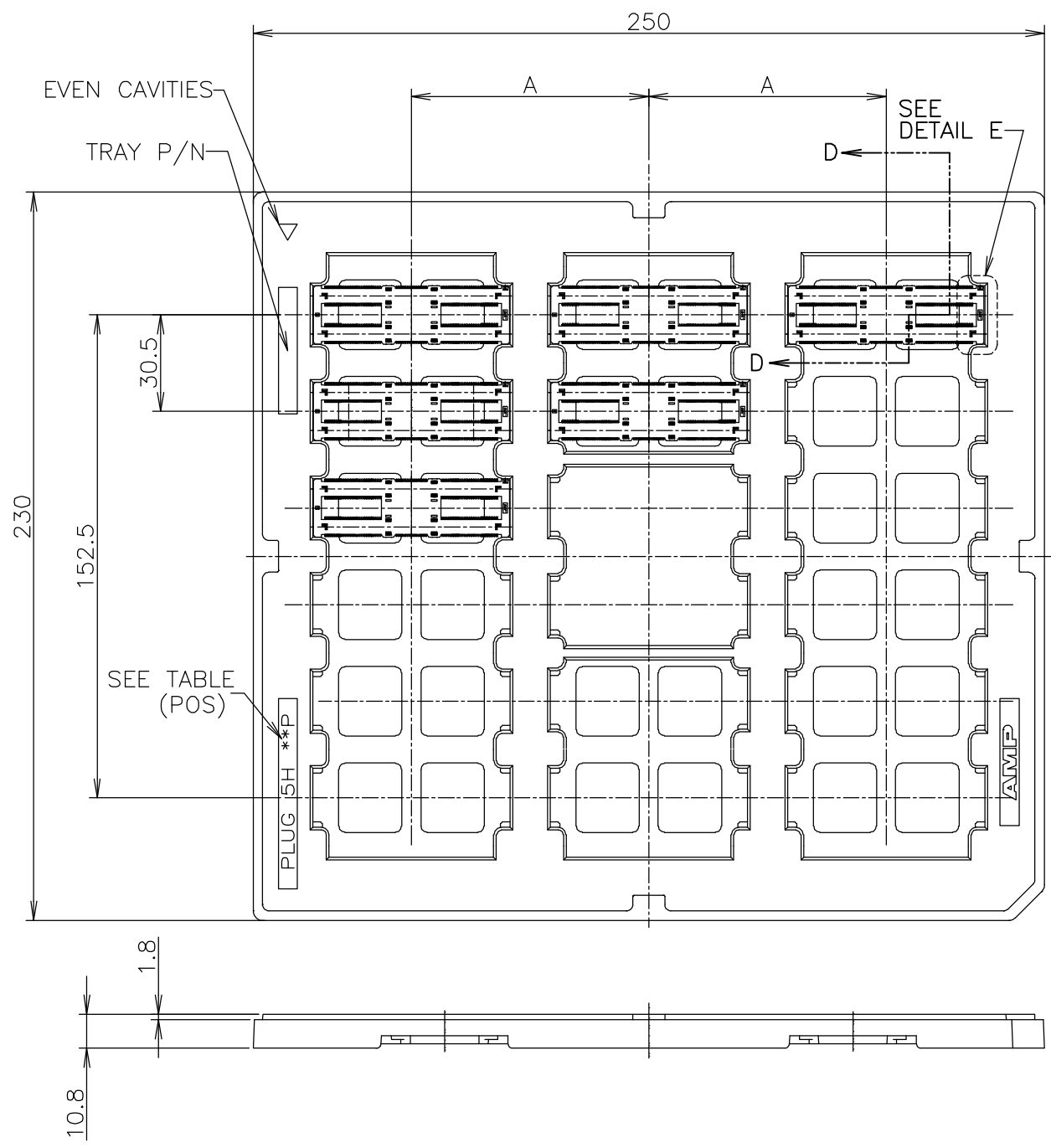


THIS DRAWING IS UNPUBLISHED. RELEASED FOR PUBLICATION ,2005.
 © COPYRIGHT 2005 BY TYCO ELECTRONICS CORPORATION. ALL RIGHTS RESERVED.

LOC	DIST	REVISIONS					
		P	LTR	DESCRIPTION	DATE	DWN	APVD
J		A		RELEASED	18MAY05	S.C	W.K



NO	3	18	75	440	3-1827233-6
SEALANT	ROW	QTY	A	POS.	PART NO.

THIS DRAWING IS A CONTROLLED DOCUMENT.		DWN S.CHIEN 18MAY05	Tyco Electronics AMP K.K. Kawasaki, Japan		
DIMENSIONS: MM		CHK T.FUTATSUGI 18MAY05			
TOLERANCES UNLESS OTHERWISE SPECIFIED:		APVD W.KODAMA 18MAY05	NAME		
0 PLC ± 0.3		PRODUCT SPEC	HARD TRAY ASSY		
1 PLC ± 0.3		APPLICATION SPEC	FH 0.5 BTB CONNECTOR 440POS		
2 PLC ± 0.3		108-5560	PLUG 5H W/G-PLATE ON 2 ROW CAP		
3 PLC ± 0.3		WEIGHT	SIZE	CAGE CODE	DRAWING NO
4 PLC ± 0.3			A3	00779	C-1827233
ANGLES ± 3'			RESTRICTED TO		
FINISH			CUSTOMER DRAWING		
			SCALE	SHEET	REV
			1:2	1 OF 4	A

4

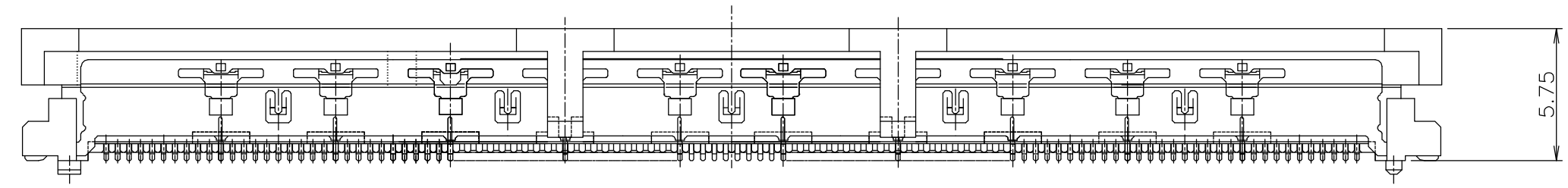
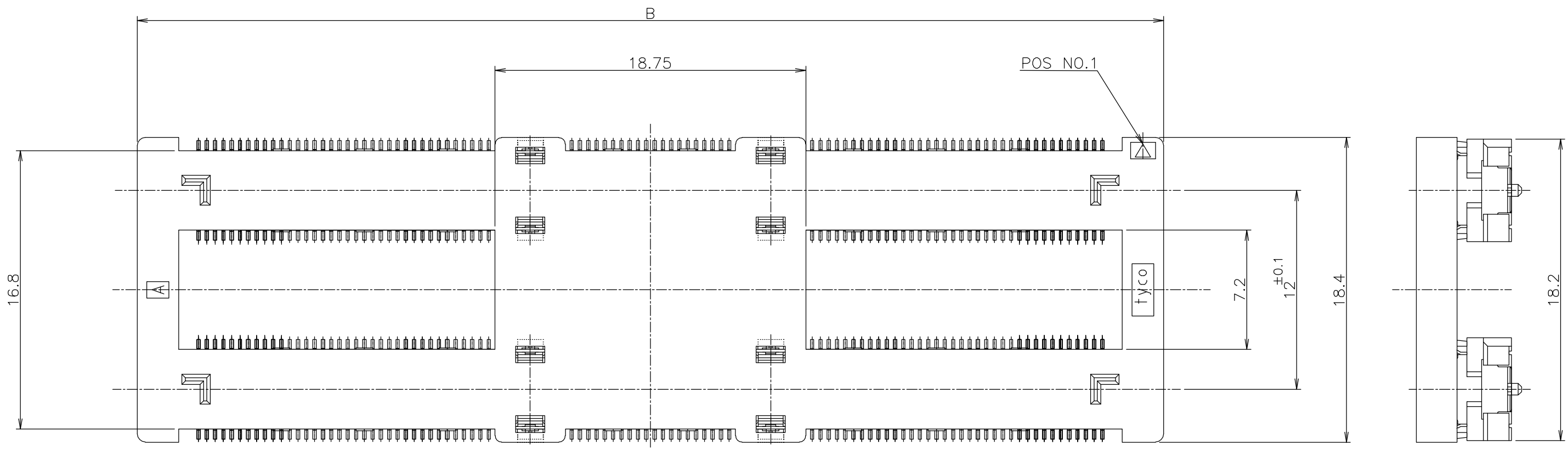
3

2

1

THIS DRAWING IS UNPUBLISHED. RELEASED FOR PUBLICATION ,2002.
 © COPYRIGHT 2002 BY TYCO ELECTRONICS CORPORATION. ALL RIGHTS RESERVED.

LOC J	DIST	REVISIONS		
P	LTR	DESCRIPTION	DATE	DWN
		SEE SHEET 1	-	-
				APVD

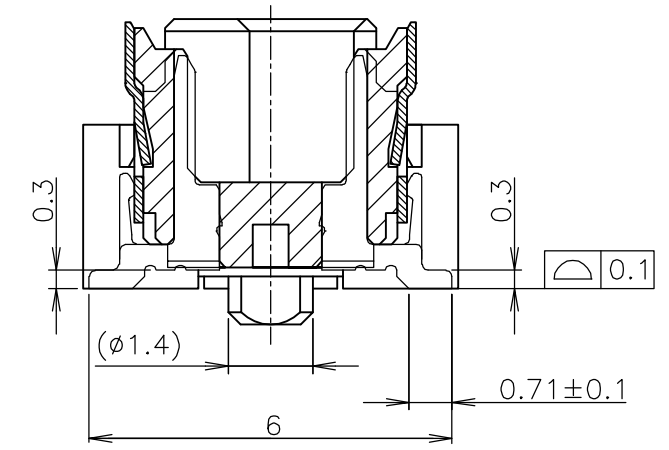
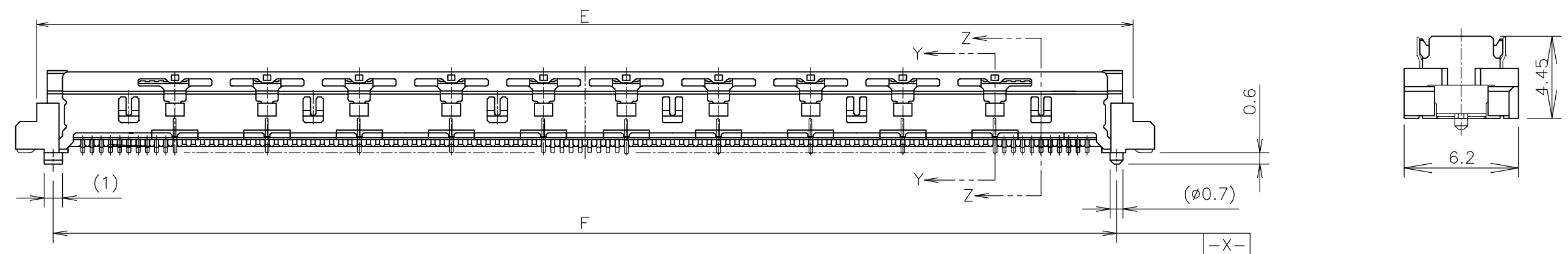
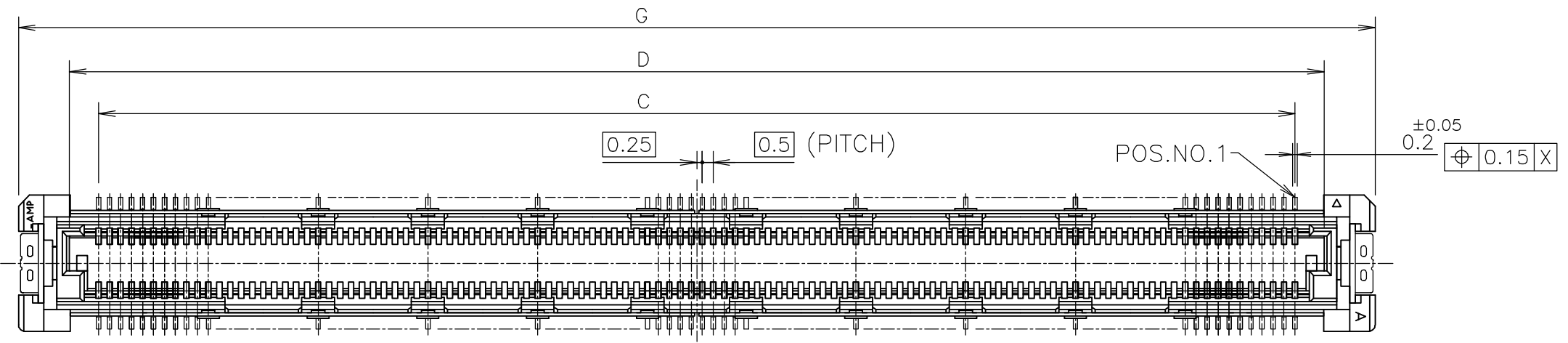


BLACK	61.9	440	3-1827233-6
CAP COLOR	B	POS	PART NO.

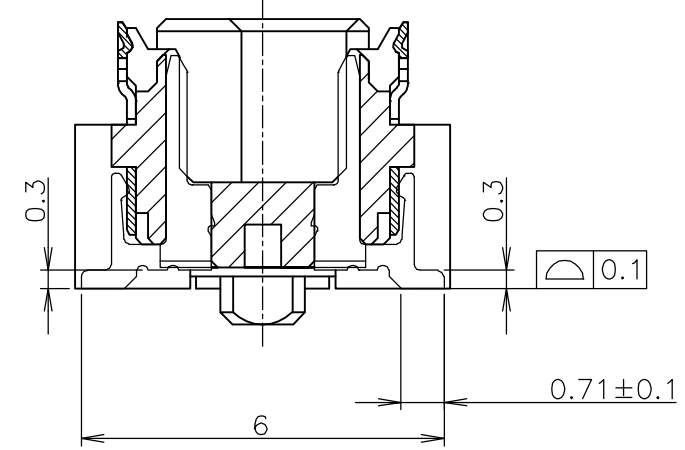
THIS DRAWING IS A CONTROLLED DOCUMENT.		DWN	Tyco Electronics AMP K.K. Kawasaki, Japan	
DIMENSIONS: MM		CHK		
		APVD	NAME	
TOLERANCES UNLESS OTHERWISE SPECIFIED: 0 PLC ± 0.3 1 PLC ± 0.3 2 PLC ± 0.3 3 PLC ± 0.3 4 PLC ± 0.3 ANGLES ± 3°		PRODUCT SPEC	HARD TRAY ASSY	
MATERIAL		APPLICATION SPEC	FH 0.5 BTB CONNECTOR 440POS	
FINISH		WEIGHT	SIZE	RESTRICTED TO
		CUSTOMER DRAWING	A3	
			CAGE CODE	
			DRAWING NO	
			C-1827233	
			SCALE	
			4:1	
			SHEET	
			2	
			OF	
			4	
			REV	
			A	

THIS DRAWING IS UNPUBLISHED. RELEASED FOR PUBLICATION .2002.
 © COPYRIGHT 2002 BY TYCO ELECTRONICS CORPORATION. ALL RIGHTS RESERVED.

LOC	DIST	REVISIONS					
J		P	LTR	DESCRIPTION	DATE	DWN	APVD
		-		SEE SHEET 1	-	-	-



SECT. Z-Z
(SIGNAL POSITION)
(SCALE 8:1)



SECT. Y-Y
(GROUND POSITION)
(SCALE 8:1)

NOTES
 1 MATERIAL ; HOUSING : HIGH TEMP THERMO PLASTIC UL94V-0
 CONTACT : COPPER ALLOY
 SOLDER PEG : COPPER ALLOY
 2 FINISH ; SIGNAL CONTACT : UNDER PL Ni 0.0013mm MIN ALL OVER.
 CONTACT AREA 0.0002mm MIN Au PL.
 SOLDERING AREA 0.00005mm MIN Au PL.
 GROUND CONTACT : UNDER PL Ni 0.0013mm MIN ALL OVER.
 CONTACT AREA 0.0002mm MIN Au PL.
 SOLDERING AREA 0.001mm MIN Sn PL.
 SOLDER PEG : 0.001mm MIN Sn PL. OVER
 0.0013mm MIN Ni PL ALL OVER.
 3 THIS POSITION IS GROUND CIRCUIT.

61.8	57.7	59.5	57.1	54.5	220	BLACK	3-1827233-6
G	F	E	D	C	POS.	HSG COLOR	PART NO.

THIS DRAWING IS A CONTROLLED DOCUMENT.		DWN		Tyco Electronics AMP K.K. Kawasaki, Japan			
DIMENSIONS: MM		CHK					
TOLERANCES UNLESS OTHERWISE SPECIFIED:		APVD		NAME			
0 PLC ± 0.3 1 PLC ± 0.3 2 PLC ± 0.3 3 PLC ± 0.3 4 PLC ± 0.3 ANGLES ± 3°		PRODUCT SPEC		HARD TRAY ASSY			
MATERIAL		APPLICATION SPEC		FH 0.5 BTB CONNECTOR 440POS			
FINISH		WEIGHT		PLUG 5H W/G-PLATE ON 2 ROW CAP			
1		2		SIZE	CAGE CODE	DRAWING NO	RESTRICTED TO
CUSTOMER DRAWING		A3		00779	C-1827233		
		SCALE		SHEET		REV	
		4:1		3 OF 4		A	

