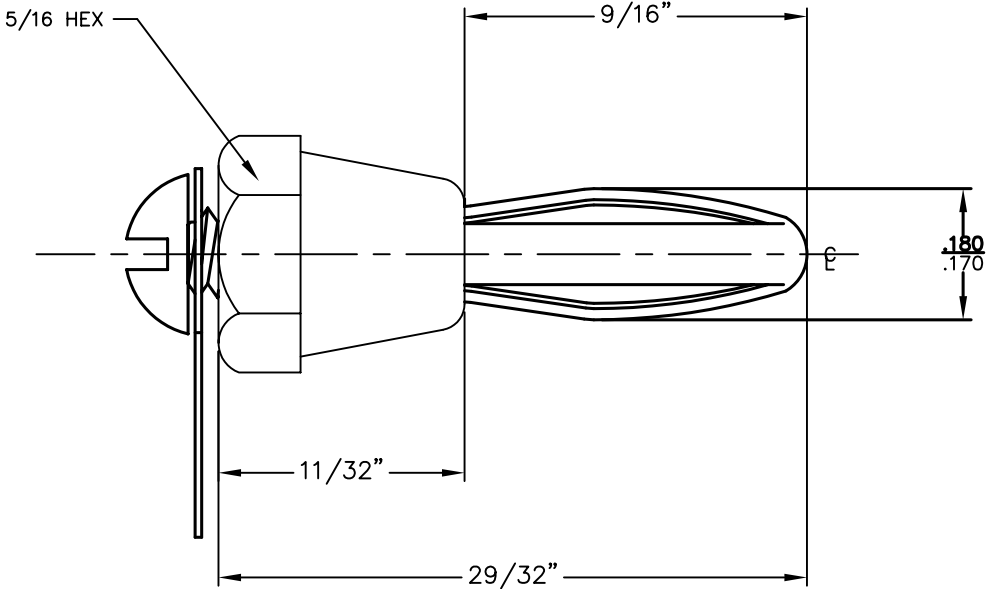


REVISIONS				
SYM	DESCRIPTION	REVISED BY	DATE	APPR



PART#	FINISH
100	NICKEL
100AD	GOLD

**NOTE:**

MATERIAL—  
 BODY: BRASS  
 SPRING: BeCu  
 SCREW: STEEL  
 LUG: BRASS

THIS DRAWING AND THE INFORMATION THEREIN IS THE PROPERTY OF ABBATRON, LLC AND ALL UNAUTHORIZED USE OR REPRODUCTION THEREOF IS PROHIBITED.

MATERIAL: SEE NOTE	FINISH: SEE TABLE	HEAT TREAT: ---	<h1>ABBATRON</h1> <p>Electronic Connectors and Hardware          632 Arch Street, Meadville, Pa. 16335</p>					
DIMENSIONAL TOLERANCES UNLESS OTHERWISE SPECIFIED						TITLE: 100 & 100AD BANANA PLUG -		
.XX	.XXX	.XXXX				DRAWN: T. LORD    DATE: 6/30/06 CHECKED: T. LORD    DATE: 6/30/06 APPROVED: T. LORD    DATE: 6/30/06		
FRACTIONS    ANGLES    SCALE						SIZE: A	DRAWING NUMBER: SD-100	ISSUE: -
SURFACE FINISH: 125 ✓								