

## MPG206R Product Details

[Share](#) [Print](#) [Email](#)



**MPG206R**

TE Internal Number: 5-1437567-3

 Active

[View 3D PDF](#)

### Pushbutton Switches

 [Converted to EU RoHS/ELV Compliant](#)  
(Statement of Compliance)

### Product Highlights:

- Switch
- Not Tactile
- Double Pole - Single Throw Configuration (Pole-Throw)
- Contact Rating = 6A
- Operating Function = Momentary

[View all Features](#)

### Quick Links

- ▶ [Pricing & Availability](#)
- ▶ [Search for Tooling](#)
- ▶ [Product Feature Selector](#)
- ▶ [Contact Us About This Product](#)

[Add to My Part List](#)

[Request Sample](#)

[Find Similar Products](#)

[Buy Product](#)

### Documentation & Additional Information

#### Product Drawings:

- [ALCOSWITCH GREEN SERIES PUSHBUTTON SWITCH, MPG SERIES](#) (PDF, English)

#### Catalog Pages/Data Sheets:

- [2-1773458-6\\_GREEN\\_SERIES\\_SWITCHES](#) (PDF, English)

#### Product Specifications:

- None Available

#### Application Specifications:

- None Available

#### Instruction Sheets:

- None Available

#### CAD Files: (CAD Format & Compression Information)

- [2D Drawing](#) (DXF, Version C)
- [3D Model](#) (IGES, Version C)
- [3D Model](#) (STEP, Version C)

[List all Documents](#)

#### Related Products:

- [Tooling](#)

### Product Features (Please use the Product Drawing for all design activity)

#### Product Type Features:

- Product Type = Switch
- Tactile = No
- Series = MPG
- Mount Angle = Vertical
- Termination Type = Wire Lugs
- Actuator Style = Cap - Supplied

#### Electrical Characteristics:

- Contact Rating = 6A

#### Dimensions:

- Actuator Length (mm [in]) = 8.00 [0.315]
- Bushing Diameter = 15/32

#### Body Features:

- Mount Style = Panel

#### Configuration Features:

- Configuration (Pole-Throw) = Double Pole - Single Throw
- Operating Function = Momentary
- Ganged = No
- ESD Grounding Terminal = Without
- Number of Actuators = Single
- Illuminated = No
- Dust Proof = No
- Support Bracket = Without
- Snap Action = Without

#### Industry Standards:

- [RoHS/ELV Compliance](#) = RoHS compliant, ELV compliant
- [Lead Free Solder Processes](#) = Wave solder capable to 240°C

- Actuator Profile = Extended
- Bushing Style = Threaded
- Case Material = Thermoset

**Contact Features:**

- Contact Plating = Silver Clad with Gold Flash

**Housing Features:**

- Process Sealed = No
- Low Profile = No

- RoHS/ELV Compliance History = Converted to comply with RoHS directive

**Conditions for Usage:**

- Temperature Rating = Standard

**Operation/Application:**

- Actuator Force (g [oz]) = 590.00 - 1224.00 [20.800 - 43.180]

**Packaging Features:**

- Packaging Method = Loose Piece/Bulk

**Other:**

- Brand = Alcoswitch
- Comment = Black cap is supplied.; Other cap colors available (cap model C9).

**Corporate Information**

- [About TE](#)
- [Investors](#)
- [News Room](#)
- [Supplier Portal](#)
- [Careers](#)
- [Terms & Conditions](#)
- [Privacy Policy](#)

**Quick Links**

- [Distributor Inventory](#)
- [Product Cross Reference](#)
- [Documents & Drawings](#)
- [Product Compliance Support Center](#)
- [Site Map](#)

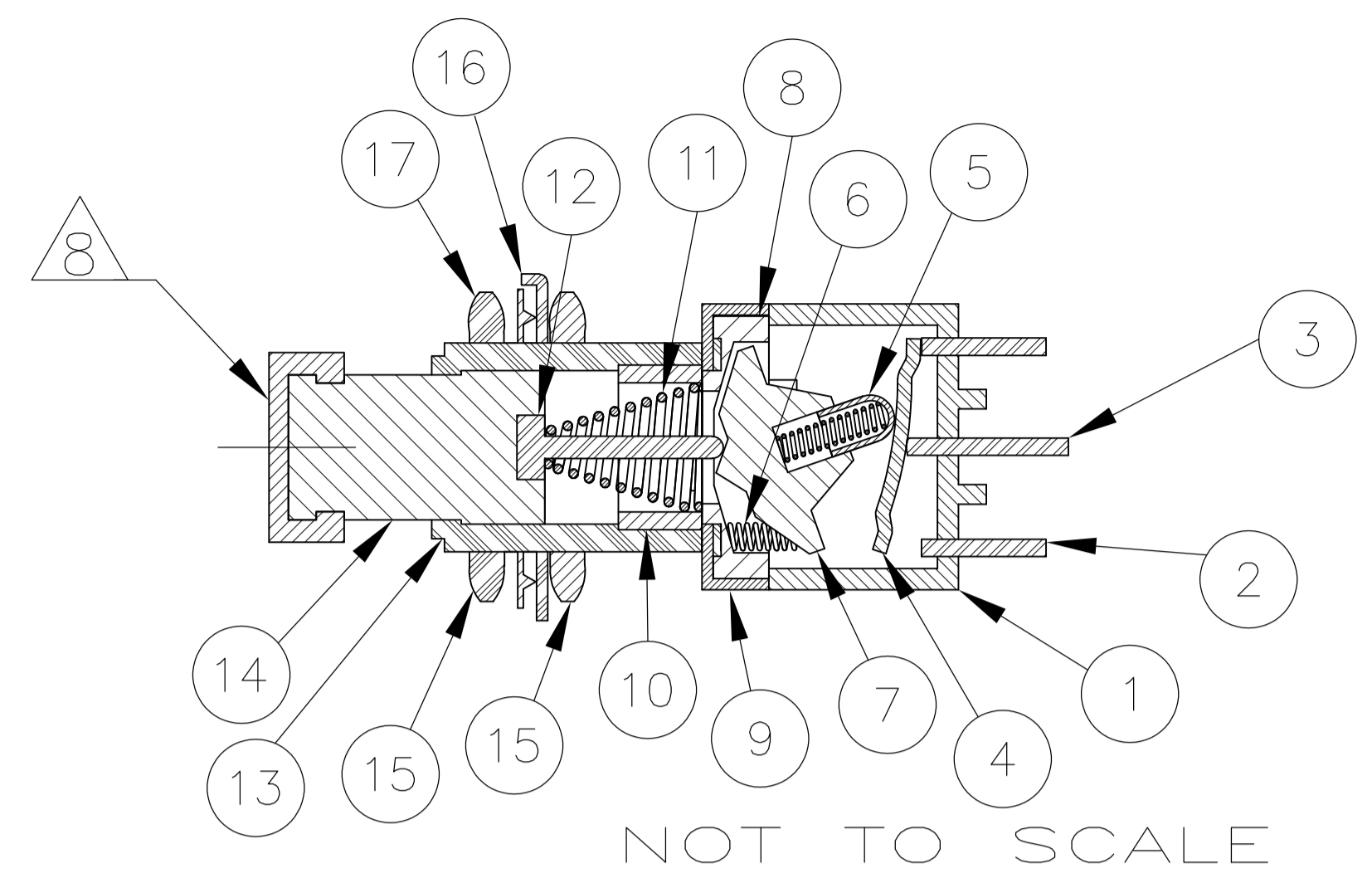
**Customer Support**

- [Email or Chat With Us](#)
- [Find a Phone Number](#)
- [Knowledge Base](#)
- [Manage Your Account](#)

**Keep Me Informed**

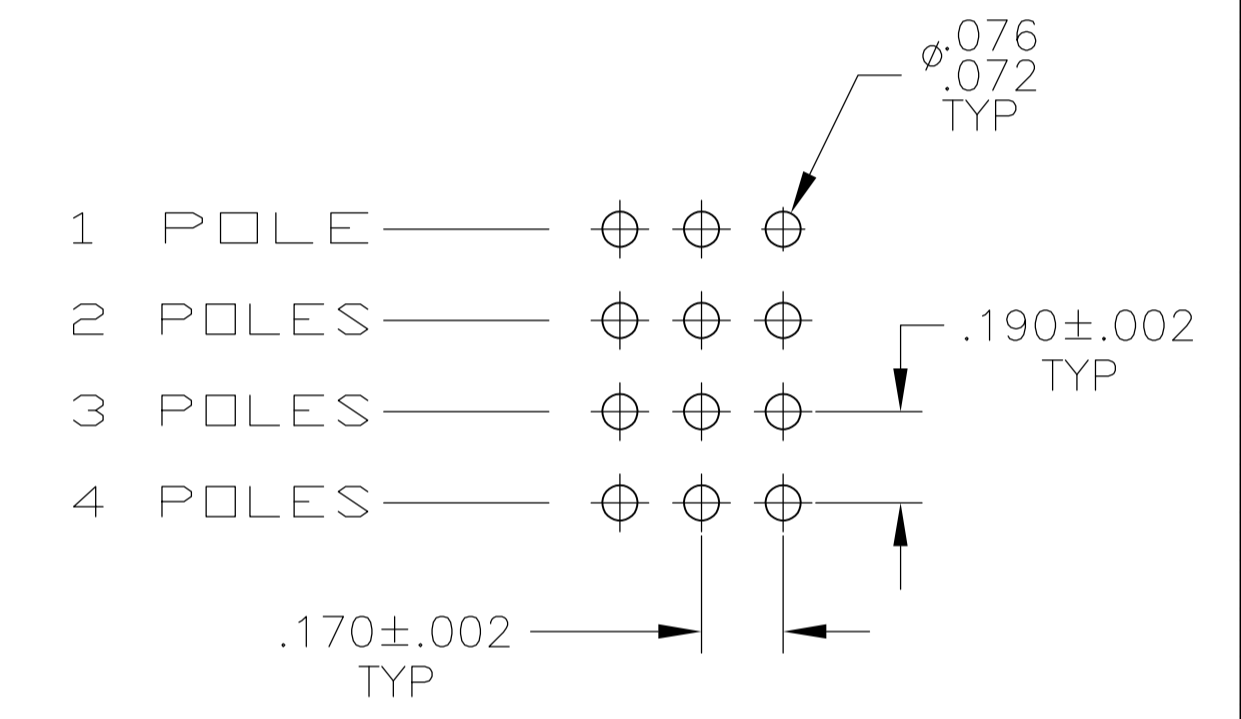
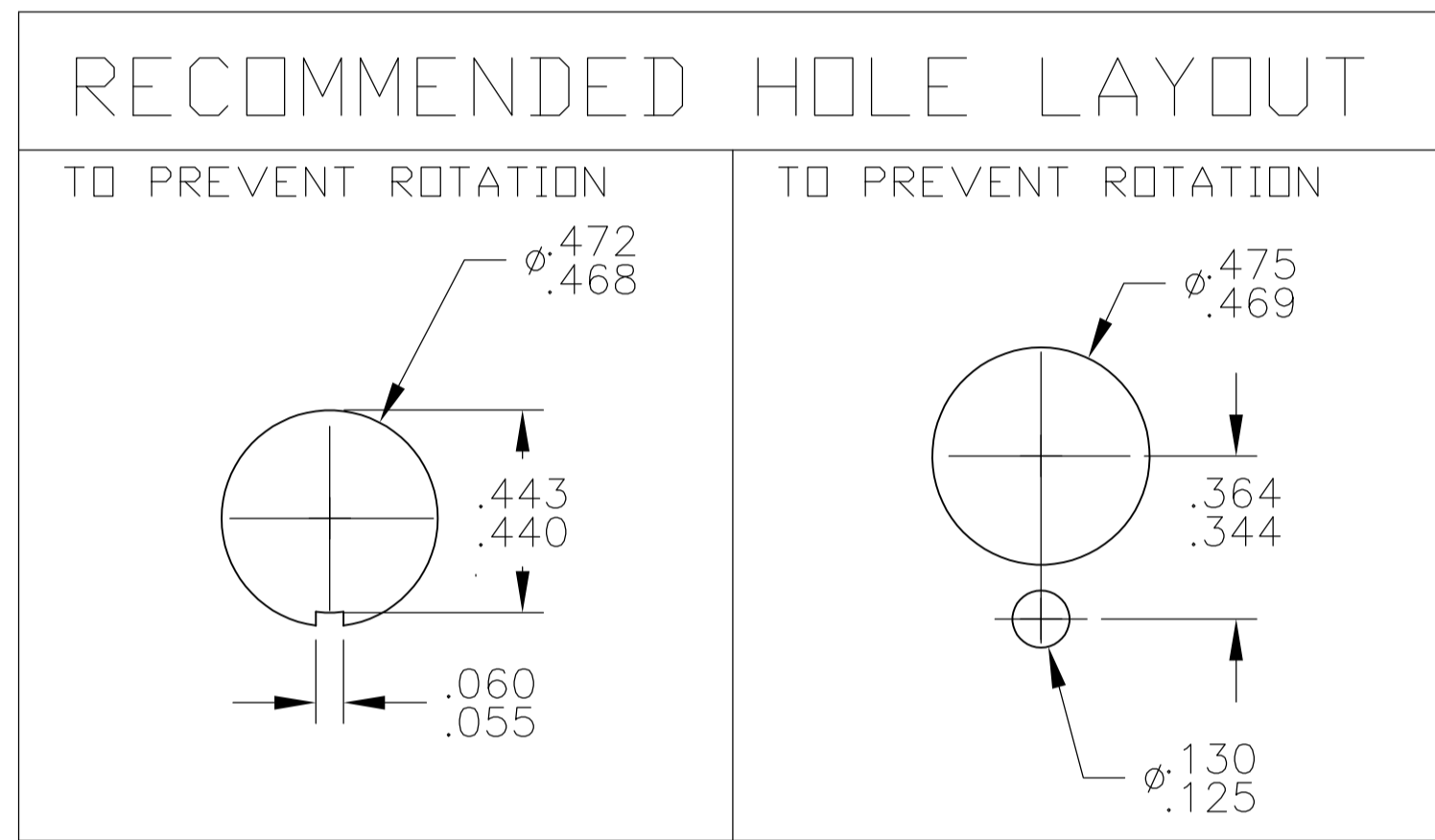


Materials			
No	Component name	Base material	Plating
1	Housing	Diallyl phthalate resin	
2	End terminal	silver clad copper alloy	gold flash
3	Center terminal	copper alloy	gold flash
4	Rocker contact	silver clad copper alloy	gold flash
5	Actuator tip	Phenol resin, UL94 HB	
6	Actuator spring	music wire	
7	Actuator	Phenol resin, UL94 HB	
8	Actuator guide	polymer	
9	Frame	stainless steel 100-77	
10	Retainer/Stopper	polyamid resin	none
11	Plunger spring	music wire	
12	Plunger pin	brass	
13	Bushing	zinc	nickel
14	Plunger	brass	nickel
15	Mounting nuts (2)	brass	nickel
16	Locating ring	cold rolled steel	nickel
17	Internal tooth lockwasher	steel	nickel



NOT TO SCALE

Specifications			
<b>Current rating UL &amp; CSA</b>	6A @ 125 VAC (resistive)		
	3A @ 250 VAC (resistive)		
	4A @ 28 VDC (resistive)		
<b>Initial contact resistance</b>	10 milliohms max @ 2-4 VDC, 1A		
<b>Dielectric strength</b>	1,000 megohms min.		
<b>Withstanding voltage</b>	1,500 VAC		
<b>Travel</b>	.140		
<b>Actuation force</b>	.4 to 2 kgf		
<b>Operating temperature</b>	-20C to +85C		
<b>Storage temperature</b>	-40C to +85C		
<b>Contact timing</b>	break before make		
<b>Terminal seal</b>	over molded		
<b>Durability</b>	<b>Parameter</b>	<b>Push on/ Push off</b>	<b>Momentary</b>
	250 VAC (3A resistive)	30,000	30,000
	125 VAC (6A resistive)	30,000	30,000
	28 VDC (4A resistive)	30,000	30,000



PC BOARD LAYOUT  
PC TERMINAL ONLY

PART NUMBER	Alco P/N	Mark SWITCH	Poles	Throws	Terminal	Function		Connected Terminals	
						MPG xxxx ALCO	MPG xxxx ALCO	MPG xxxx ALCO	MPG xxxx ALCO
5-1437567-8	MPG406R	MPG 406R	4	2	Wire lug	ON	MOM	2-1, 5-4, 8-7, 11-10	2-3, 5-6, 8-9, 11-12
5-1437567-7	MPG406N	MPG 406N	4	2	Wire lug	ON	ON	2-1, 5-4, 8-7, 11-10	2-3, 5-6, 8-9, 11-12
5-1437567-6	MPG306F	MPG 306F	3	2	Wire lug	ON	MOM	2-1, 5-4, 8-7	2-3, 5-6, 8-9
5-1437567-5	MPG306D	MPG 306D	3	2	Wire lug	ON	ON	2-1, 5-4, 8-7	2-3, 5-6, 8-9
5-1437567-4	MPG206RPC	MPG 206RPC	2	2	PC	ON	MOM	2-1, 5-4	2-3, 5-6
5-1437567-3	MPG206R	MPG 206R	2	2	Wire lug	ON	MOM	2-1, 5-4	2-3, 5-6
5-1437567-2	MPG206NPC	MPG 206NPC	2	2	PC	ON	ON	2-1, 5-4	2-3, 5-6
5-1437567-1	MPG206N	MPG 206N	2	2	Wire lug	ON	ON	2-1, 5-4	2-3, 5-6
5-1437567-0	MPG106F	MPG 106F	1	2	Wire lug	ON	MOM	2-1	2-3
4-1437567-9	MPG106D	MPG 106D	1	2	Wire lug	ON	ON	2-1	2-3

- NOTES:
- TERMINAL NUMBERS ARE FOR REFERENCE ONLY AND DO NOT APPEAR ON THE SWITCHES.
  - EACH SWITCH SUPPLIED WITH THE FOLLOWING MOUNTING HARDWARE:
    - (2) 15/32-32 UNS-2B HEX NUTS
    - (1) INTERNAL TOOTH LOCKWASHER
    - (1) LOCATING RING

5 WIRE LUG CONTACTS WILL ACCEPT 2 #20 AWG SOLID OR STRANDED WIRES.  
6 MARK SWITCH

7. ALL MATERIALS AND FINISHES SHALL COMPLY WITH EU DIRECTIVE 2002/95/EC OF 27JAN2003 (ROHS).  
8 BLACK CAP INCLUDED WITH EACH SWITCH IF DIFFERENT COLOR REQUIRED ORDER SEPARATELY DRAWING NUMBER 7-1437627-1

THIS DRAWING IS A CONTROLLED DOCUMENT.

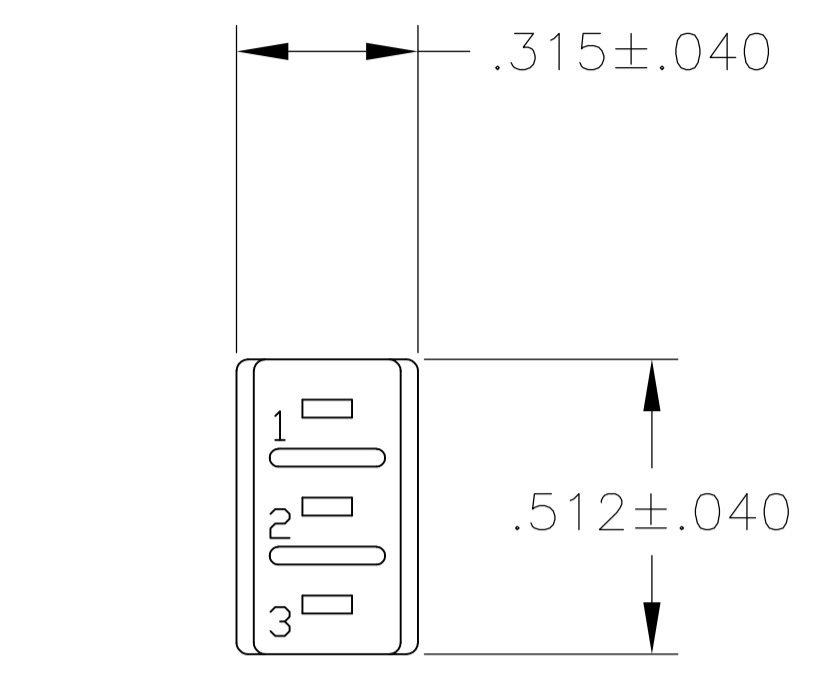
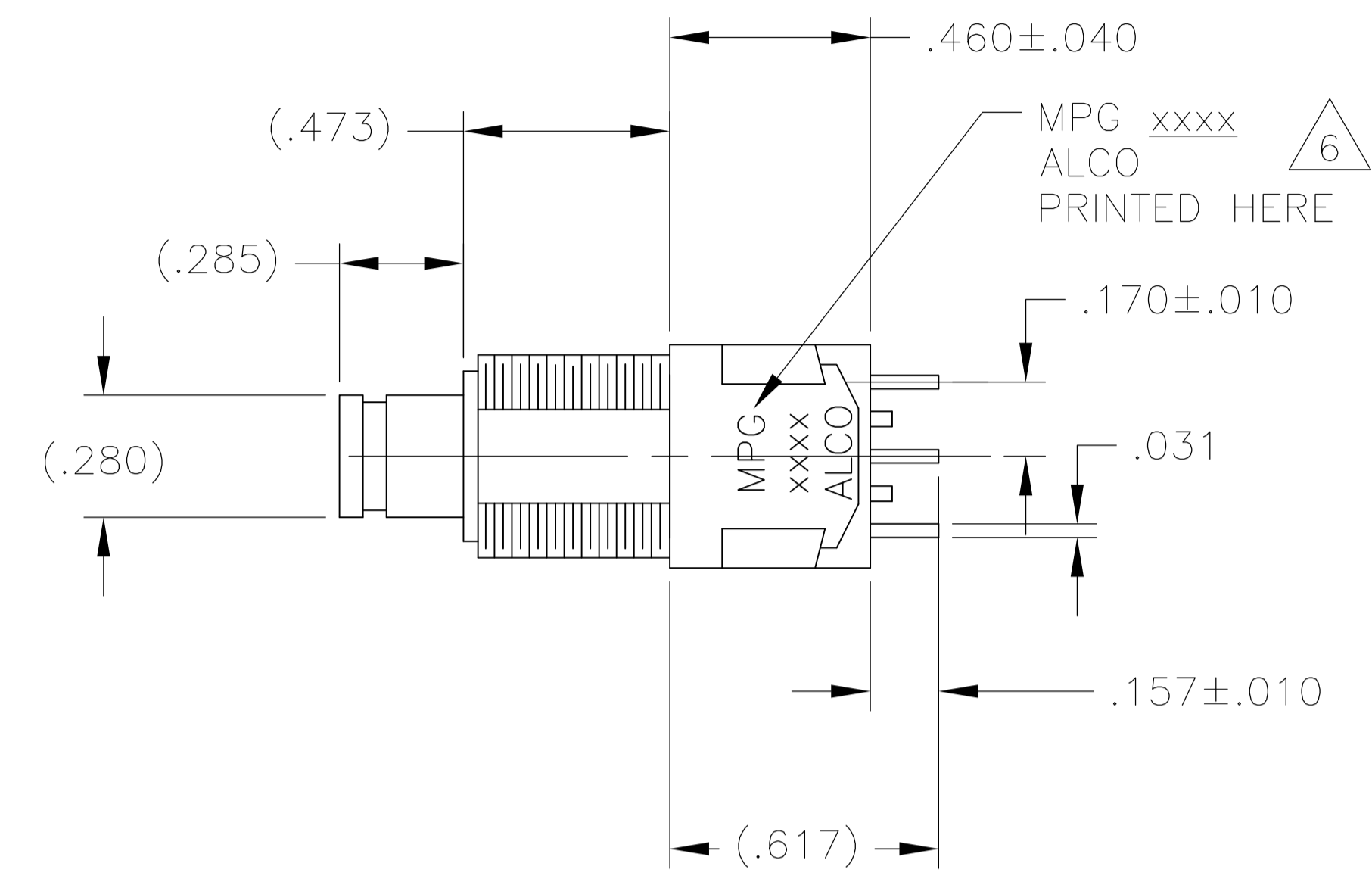
DIMENSIONS: INCHES	TOLERANCES UNLESS OTHERWISE SPECIFIED:	0. PLC ± .010	1. PLC ± .010	2. PLC ± .010	3. PLC ± .010	4. PLC ± .010	ANGLES ± .1
--------------------	--	---------------	---------------	---------------	---------------	---------------	-------------

MATERIAL: - FINISH: -

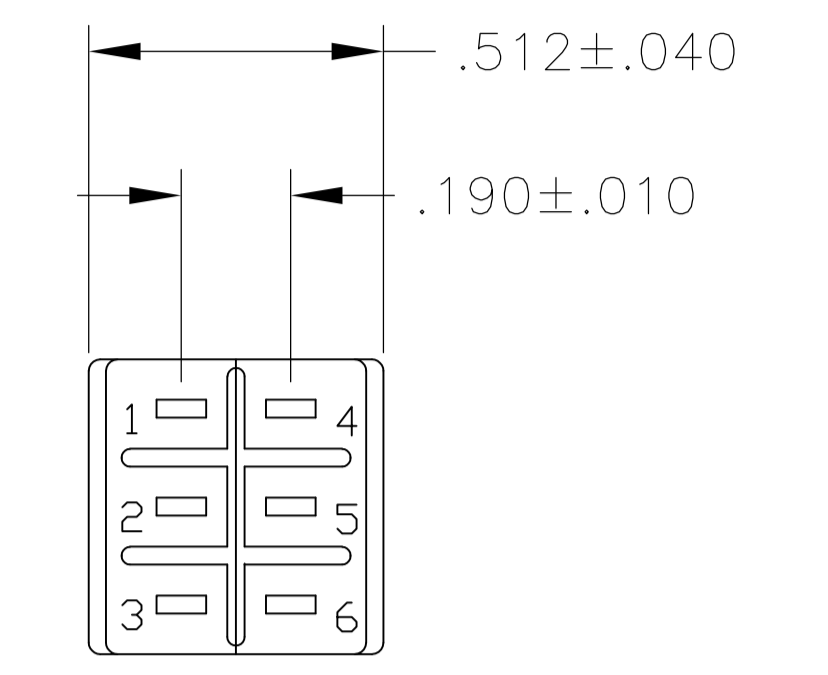
THIS DRAWING IS A CONTROLLED DOCUMENT. DWG: M.BINNER 02MAR09 15NOV04. NAME: M.ZITTO 15NOV04. PRODUCT SPEC: ALCO SWITCH GREEN SERIES PUSHBUTTON SWITCH, MPG SERIES. SIZE: A1. CAGE CODE: 00779. DRAWING NO: 4-1437567-9. WEIGHT: -. RESTRICTED TO: CUSTOMER DRAWING. SCALE: 3:1. SHEET: 1 OF 3. REV: C2.

**STE** TE Connectivity

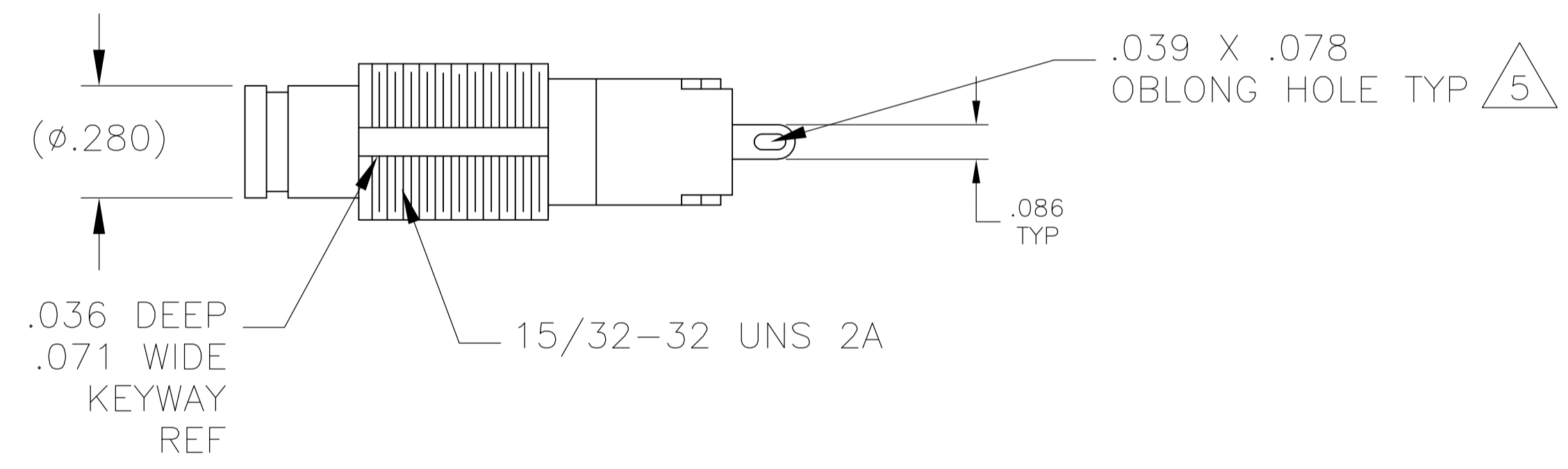
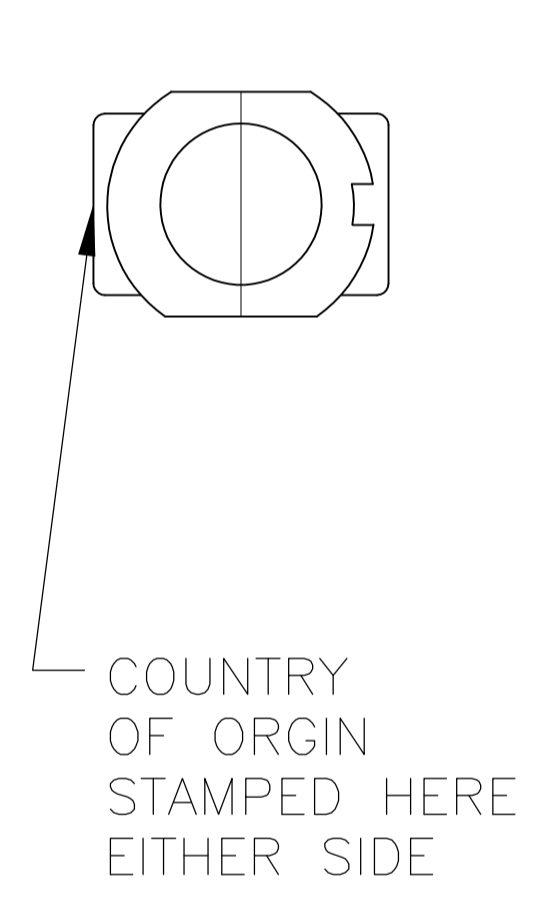
LOC		DIST		REVISIONS			
P	LTR	DESCRIPTION	DATE	DN	APVD		
-	-	SEE SHEET 1	-	-	-	-	-



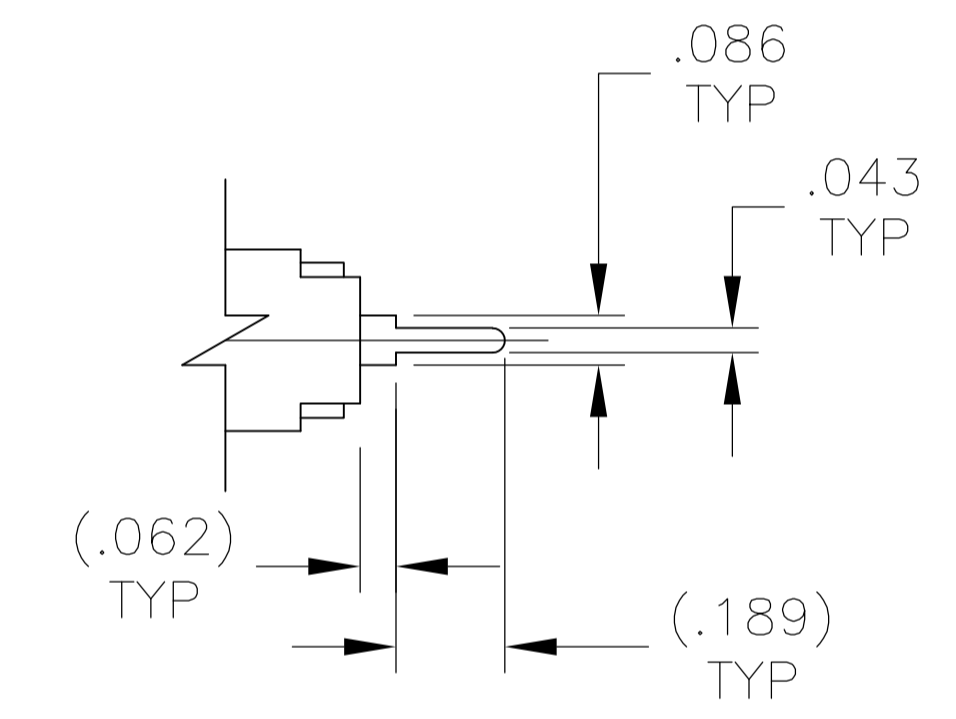
MPG-106



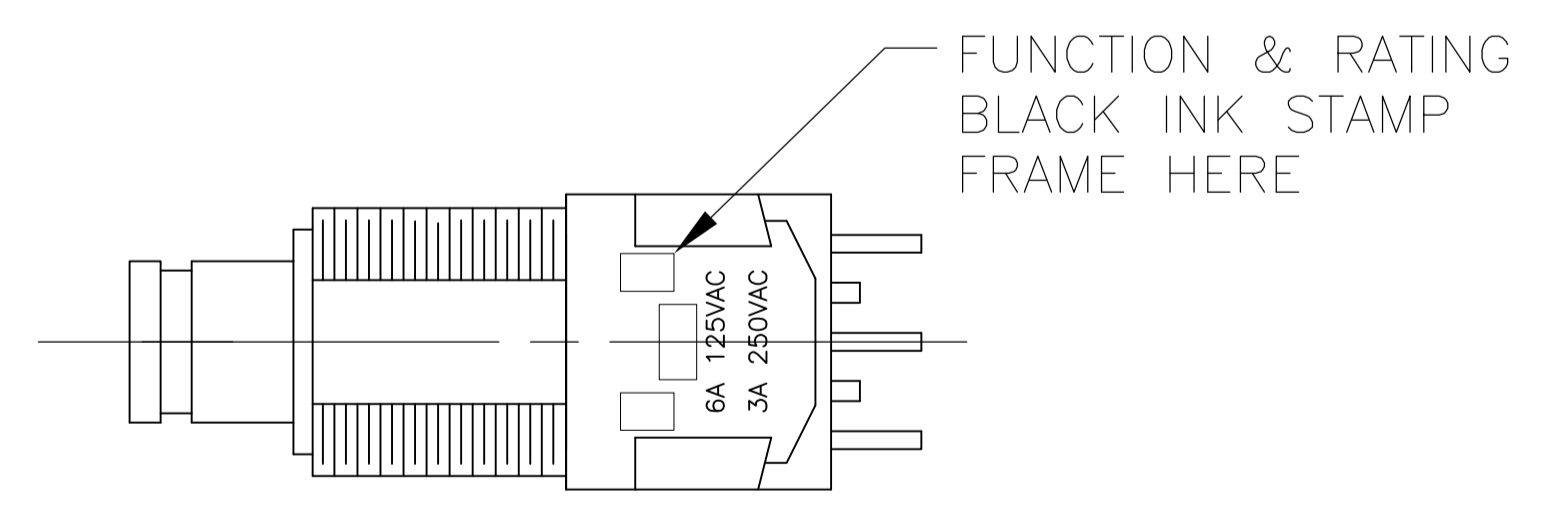
MPG-206



WIRE LUG TERMINAL

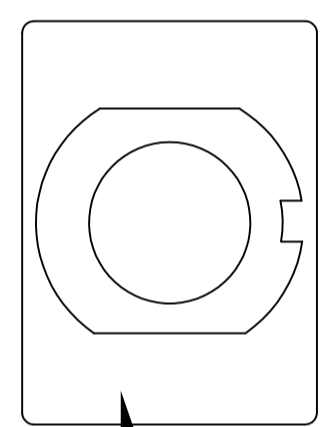
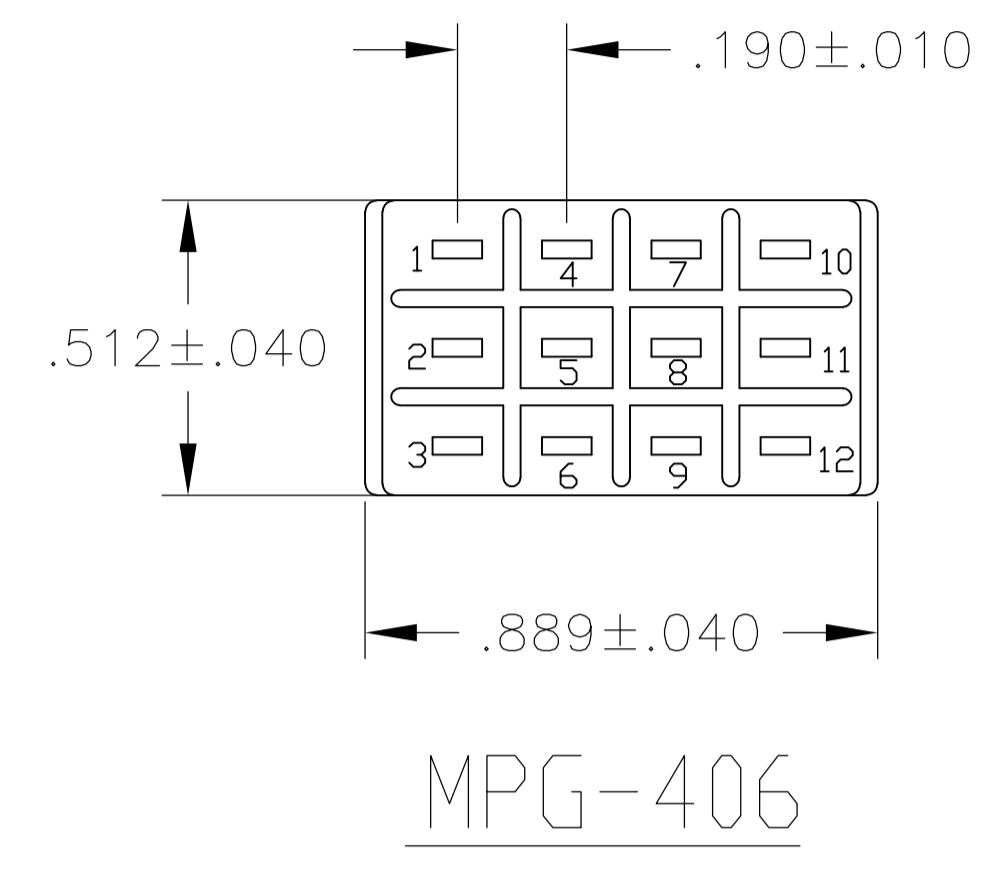
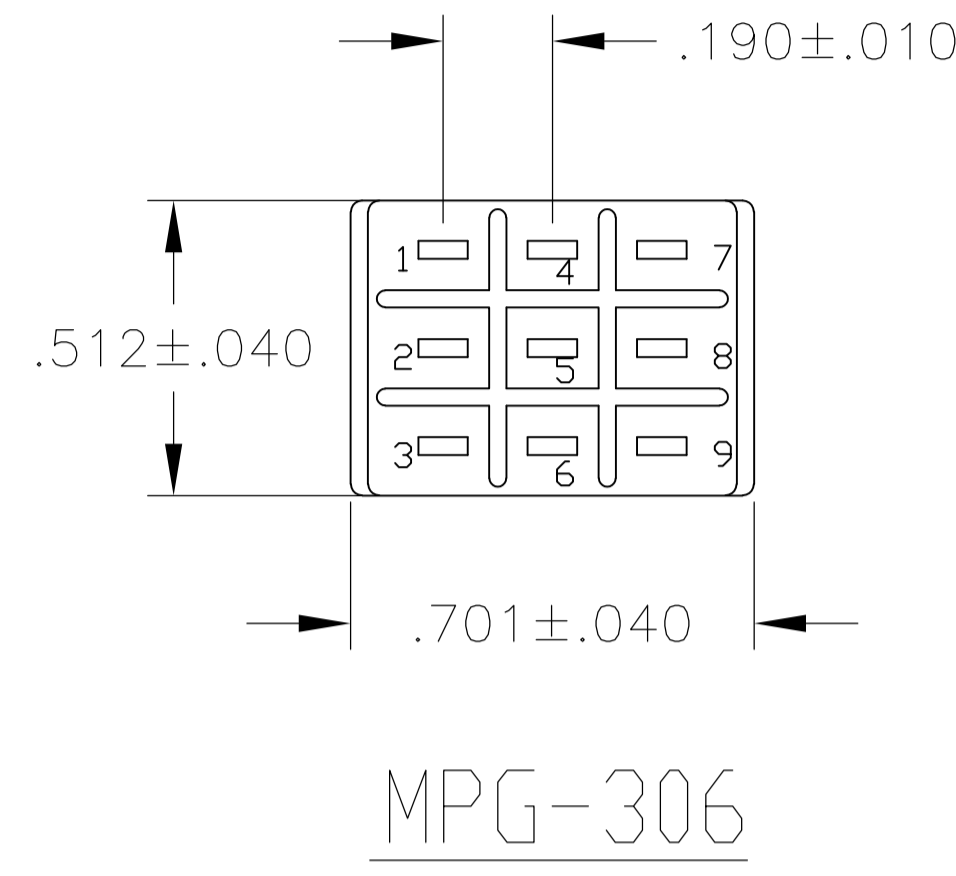
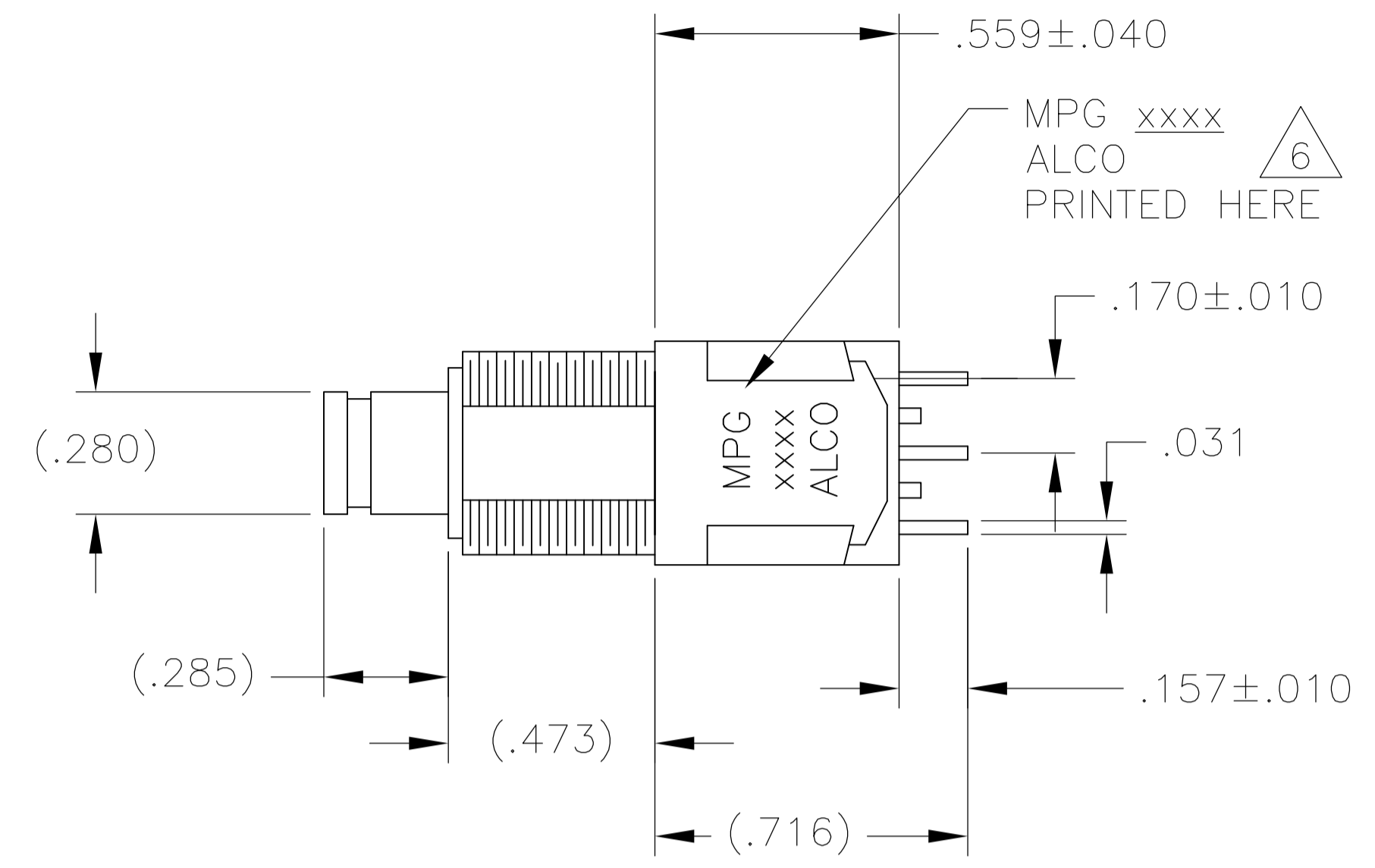


PC TERMINAL

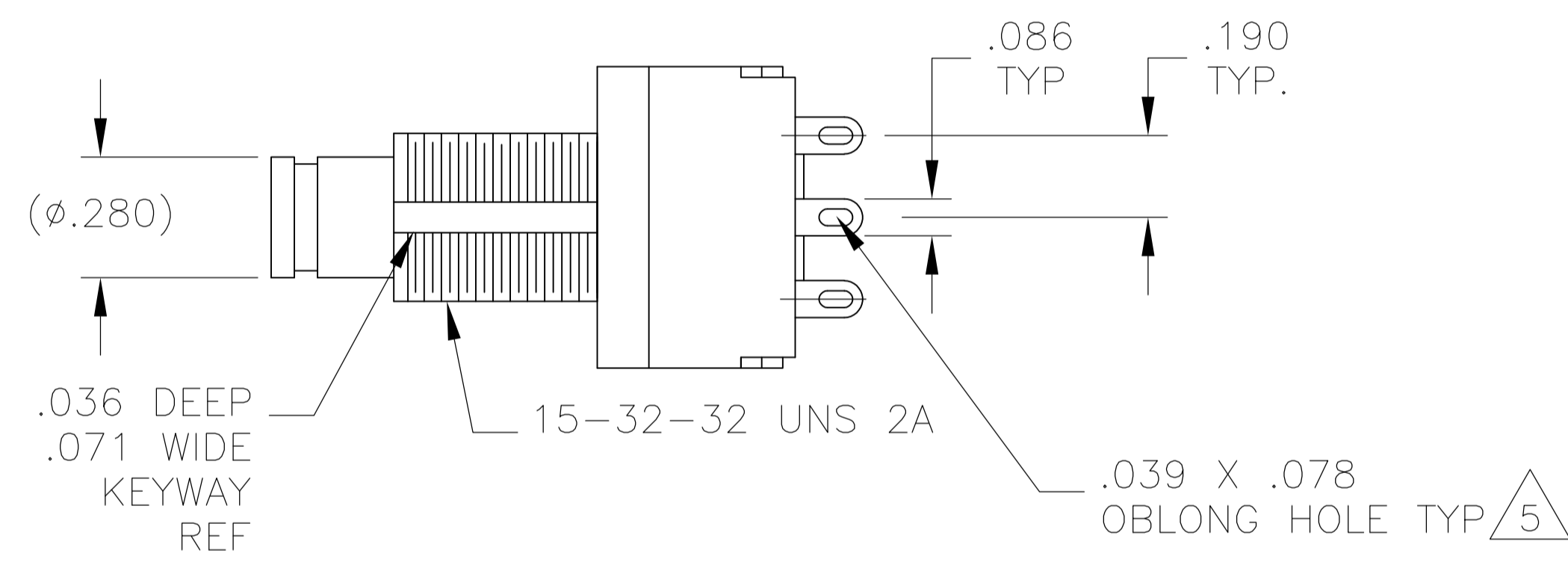


THIS DRAWING IS A CONTROLLED DOCUMENT.		DIN M. BINNER 02MAR09	TE Connectivity	
DIMENSIONS: INCHES		CHK M. ZITTO 15NOV04		
TOLERANCES UNLESS OTHERWISE SPECIFIED:		NAME M. ZITTO 15NOV04	ALCOSWITCH GREEN SERIES PUSHBUTTON SWITCH, MPG SERIES	
0. PLC ± -		PRODUCT SPEC		
1. PLC ± -		APPLICATION SPEC		
2. PLC ± -		SIZE	A1	
3. PLC ± .012		WEIGHT	00779	
4. PLC ± -		CAGE CODE	4-1437567-9	
ANGLES ± -		DRAWING NO	C=4-1437567-9	
MATERIAL -	FINISH -	CUSTOMER DRAWING	SCALE 3:1	SHEET 2 OF 3
		RESTRICTED TO	REV C2	

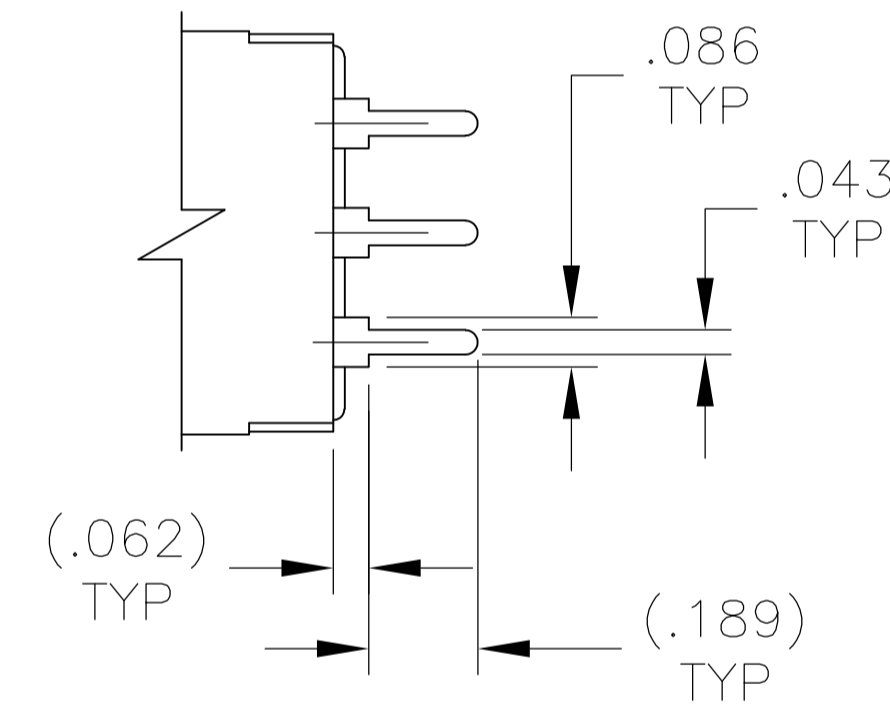
LOC		DIST		REVISIONS			
P	LTR	DESCRIPTION	DATE	DN	APVD		
-	-	SEE SHEET 1	-	-	-	-	-



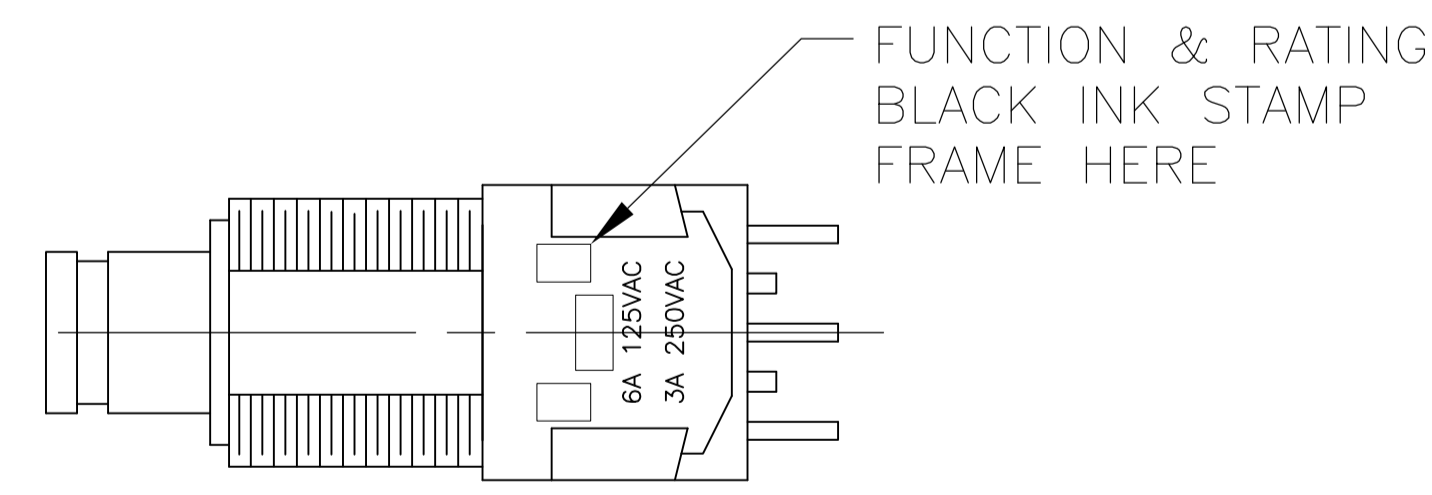
COUNTRY OF ORIGIN STAMPED HERE EITHER SIDE



WIRE LUG TERMINAL



PC TERMINAL



THIS DRAWING IS A CONTROLLED DOCUMENT.		DIN M. BINNER 02MAR09	TE Connectivity	
DIMENSIONS: INCHES		CHK M. ZITTO 15NOV04		
TOLERANCES UNLESS OTHERWISE SPECIFIED:		NAME M. ZITTO 15NOV04	ALCOSWITCH GREEN SERIES PUSHBUTTON SWITCH, MPG SERIES	
0. PLC	± .01	PRODUCT SPEC	APPLICATION SPEC	
1. PLC	± .01	SIZE	CAGE CODE DRAWING NO	
2. PLC	± .01	WEIGHT	RESTRICTED TO	
3. PLC	± .012	A1 00779 C=4-1437567-9		
4. PLC	± .01	CUSTOMER DRAWING		
ANGLES	± .01	SCALE	3:1	
		SHEET	3 OF 3	
		REV	C2	