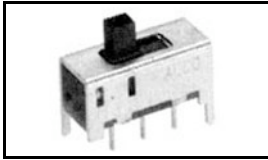


## SSA12 Product Details

[Share](#) [Print](#) [Email](#)



**SSA12**

TE Internal Number: 1-1437575-4

Active

### Slide Switches

Always EU RoHS/ELV Compliant (Statement of Compliance)

### Product Highlights:

- 2 Positions
- Single Pole - Double Throw Configuration (Pole-Throw)
- Actuator Style = Extended, Top
- Actuator Color = Black
- SSA Series

[View all Features](#)

### Quick Links

- ▶ [Pricing & Availability](#)
- ▶ [Search for Tooling](#)
- ▶ [Product Feature Selector](#)
- ▶ [Contact Us About This Product](#)

[Add to My Part List](#)

[Request Sample](#)

[Find Similar Products](#)

[Buy Product](#)

Documentation & Additional Information	
<p><b>Product Drawings:</b></p> <ul style="list-style-type: none"> <li>• <a href="#">Slide Low Profile (SSA-12, SSA-22 Series)</a> (PDF, English)</li> </ul> <p><b>Catalog Pages/Data Sheets:</b></p> <ul style="list-style-type: none"> <li>• None Available</li> </ul> <p><b>Product Specifications:</b></p> <ul style="list-style-type: none"> <li>• None Available</li> </ul> <p><b>Application Specifications:</b></p> <ul style="list-style-type: none"> <li>• None Available</li> </ul> <p><b>Instruction Sheets:</b></p> <ul style="list-style-type: none"> <li>• None Available</li> </ul> <p><b>CAD Files:</b></p> <ul style="list-style-type: none"> <li>• None Available</li> </ul>	<p><b>Additional Information:</b></p> <ul style="list-style-type: none"> <li>• <a href="#">Product Line Information</a></li> </ul> <p><b>Related Products:</b></p> <ul style="list-style-type: none"> <li>• <a href="#">Tooling</a></li> </ul>

[List all Documents](#)

Product Features (Please use the Product Drawing for all design activity)	
<p><b>Product Type Features:</b></p> <ul style="list-style-type: none"> <li>• Actuator Style = Extended, Top</li> <li>• Series = SSA</li> <li>• Mount Angle = Vertical</li> <li>• Terminal Configuration = Standard</li> <li>• Grade = Instrumentation</li> <li>• Termination Type = PC</li> </ul> <p><b>Electrical Characteristics:</b></p> <ul style="list-style-type: none"> <li>• Contact Rating = 100mA @ 30 VDC</li> </ul> <p><b>Dimensions:</b></p> <ul style="list-style-type: none"> <li>• PCB Tail Length (mm [in]) = 3.00 [0.118]</li> <li>• Actuator Length (mm [in]) = 2.01 [0.079]</li> <li>• Length (mm [in]) = 8.79 [0.346]</li> <li>• Width (mm [in]) = 3.40 [0.134]</li> </ul> <p><b>Body Features:</b></p> <ul style="list-style-type: none"> <li>• Actuator Color = Black</li> <li>• Mount Style = Through-Hole</li> </ul>	<p><b>Contact Features:</b></p> <ul style="list-style-type: none"> <li>• Contact Plating = Silver</li> </ul> <p><b>Housing Features:</b></p> <ul style="list-style-type: none"> <li>• UL Flammability Rating = UL 94-HB</li> </ul> <p><b>Configuration Features:</b></p> <ul style="list-style-type: none"> <li>• <a href="#">Number of Positions</a> = 2</li> <li>• Configuration (Pole-Throw) = Single Pole - Double Throw</li> <li>• Number of Actuators = Single</li> </ul> <p><b>Industry Standards:</b></p> <ul style="list-style-type: none"> <li>• <a href="#">RoHS/ELV Compliance</a> = RoHS compliant, ELV compliant</li> <li>• <a href="#">Lead Free Solder Processes</a> = Wave solder capable to 240°C</li> <li>• RoHS/ELV Compliance History = Always was RoHS compliant</li> </ul>

- Switch Style = Micro Size
- Actuator Material = Polyamide

**Operation/Application:**

- Actuator Travel = 2.49 [.098]

**Other:**

- Brand = Alcoswitch

**Corporate Information**

[About TE](#)  
[Investors](#)  
[News Room](#)  
[Supplier Portal](#)  
[Careers](#)  
[Terms & Conditions](#)  
[Privacy Policy](#)

**Quick Links**

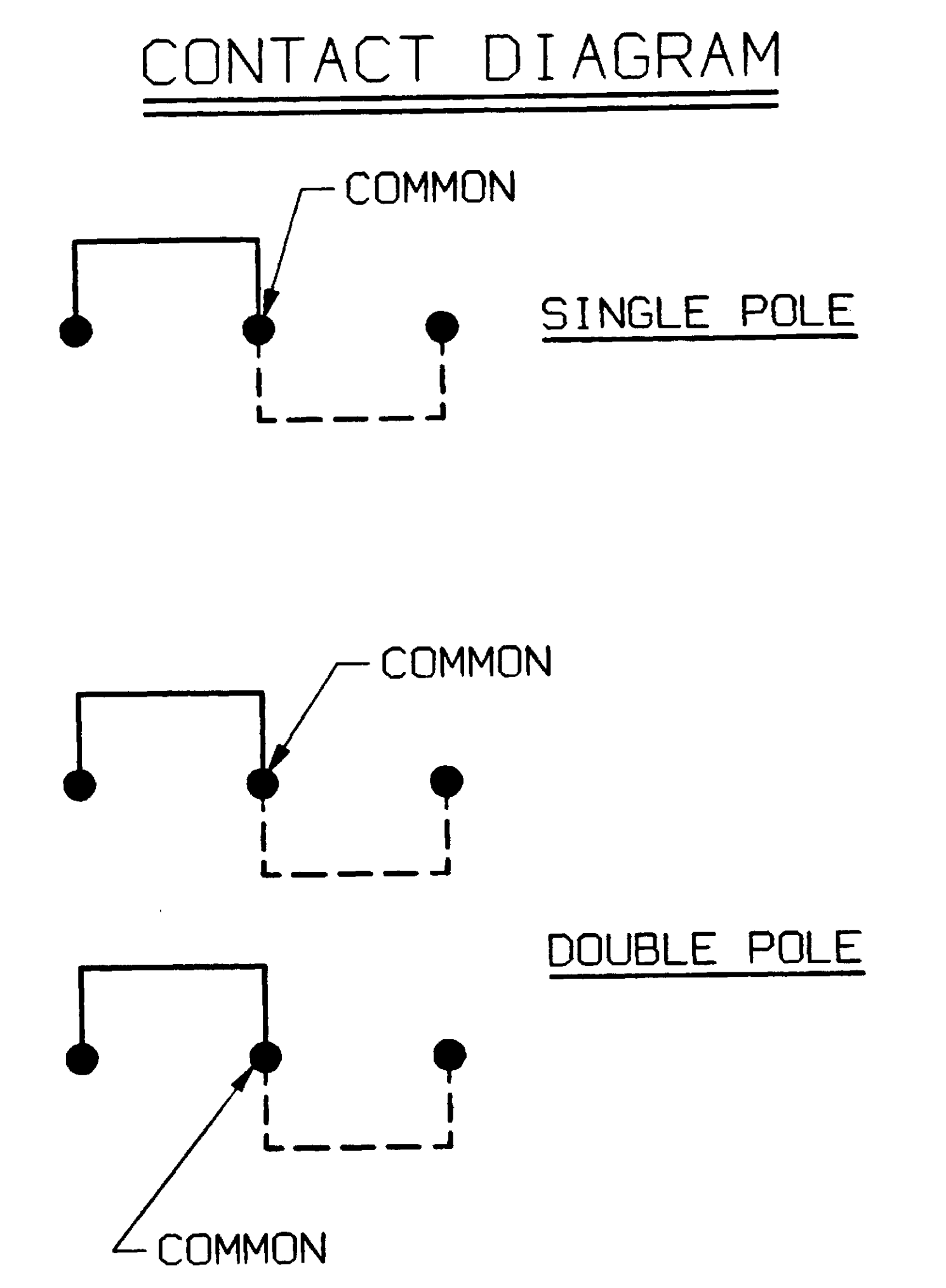
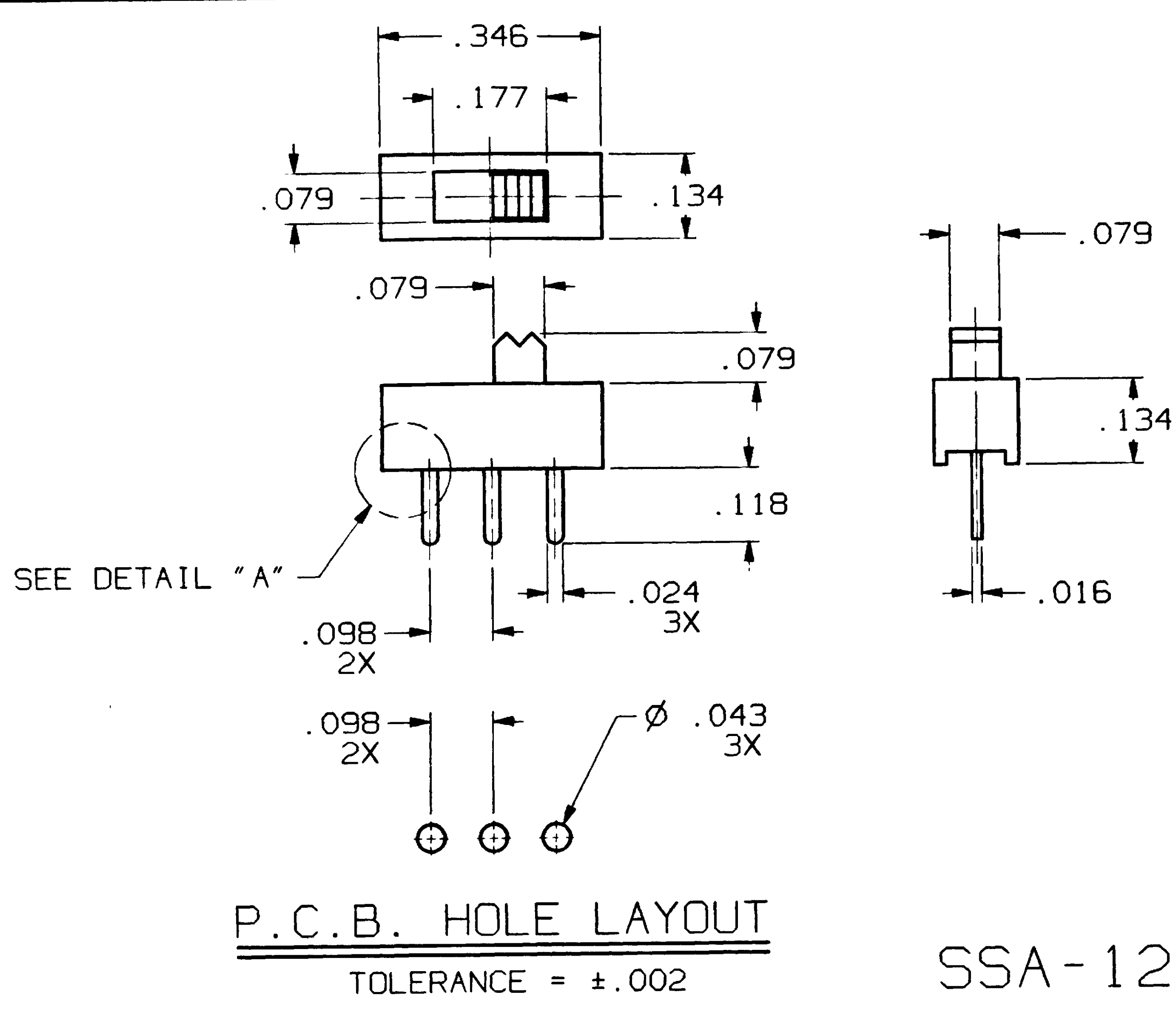
[Distributor Inventory](#)  
[Product Cross Reference](#)  
[Documents & Drawings](#)  
[Product Compliance Support Center](#)  
[Site Map](#)

**Customer Support**

[Email or Chat With Us](#)  
[Find a Phone Number](#)  
[Knowledge Base](#)  
[Manage Your Account](#)

**Keep Me Informed**

CONVERSION CHART	
INCH	MM
.002	0.05
.005	0.13
.010	0.25
.016	0.40
.024	0.69
.043	1.1
.079	2.00
.098	2.5
.118	3.0
.134	3.4
.138	3.5
.157	4.0
.161	4.1
.177	4.5
.217	5.5
.346	8.8
.354	9.0



**SPECIFICATIONS:**

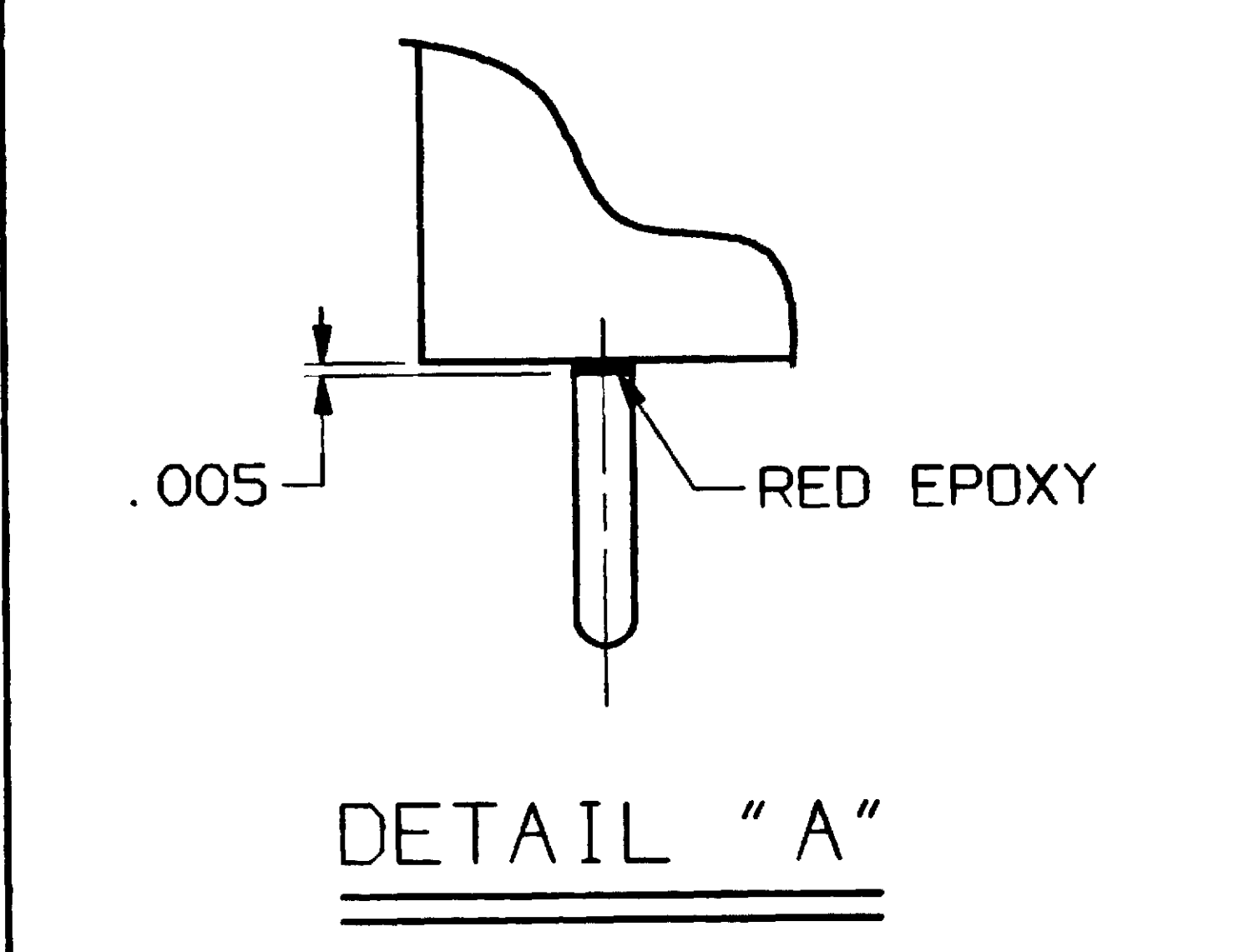
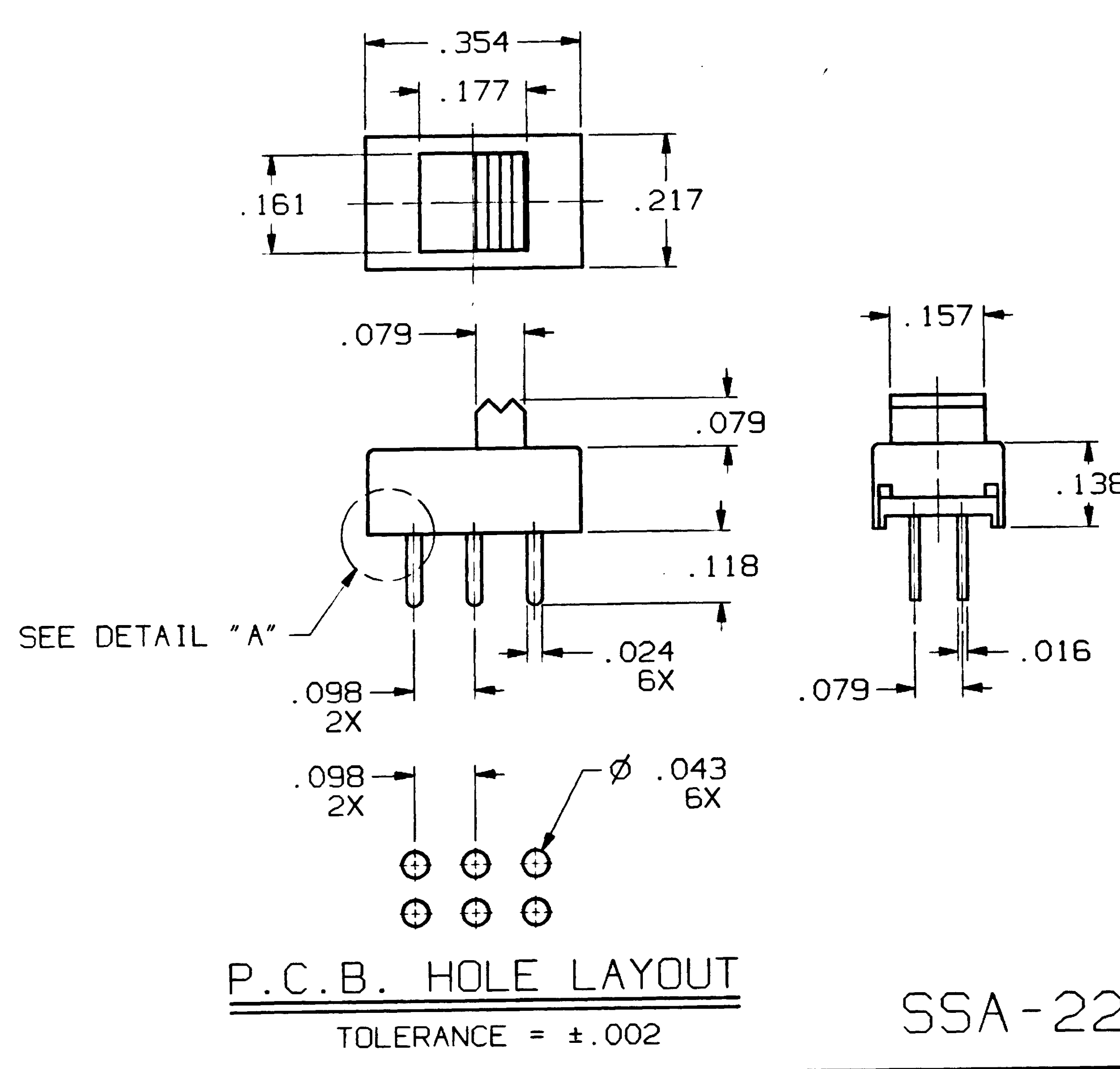
**MATERIALS:**  
CASE: POLYESTER.  
ACTUATOR: POLYAMIDE.  
MOVABLE CONTACT: SEE BELOW.  
STATIONARY CONTACT: SEE BELOW.  
TERMINALS: SEE BELOW.  
TERMINAL SEAL: EPOXY.

**ELECTRICAL:**  
CONTACT RATING: SILVER = 100mA @ 30 VDC.  
GOLD: = 0.4 VA MAX. @ 20 VDC OR PEAK AC.  
INITIAL CONTACT RESISTANCE: 30 MILLIOHMS MAX..  
INSULATION RESISTANCE: 100 MEGOHMS MIN.  
DIELECTRIC STRENGTH: 500 VOLTS RMS @ SEA LEVEL.  
LIFE EXPECTANCY: 10,000 CYCLES.

**MECHANICAL:**  
ACTUATION FORCE: 250g, ±100g.

**ENVIRONMENTAL:**  
OPERATING TEMPERATURE: -4°F TO +158°F (-20°C TO +70°C).  
STORAGE TEMPERATURE: -40°F TO +194°F (-40°C TO +90°C).

**NOTES:**  
1. INTERPRET DRAWING PER ASME Y14.5M-1994.



**MODEL** SSA - XX X

MATERIAL OPTION FOR MOVABLE CONTACT, STATIONARY CONTACT AND TERMINALS.

BLANK = SILVER OVER NICKEL OVER COPPER ALLOY.  
G = GOLD OVER NICKEL OVER COPPER ALLOY

12 = SPDT  
22 = DPDT

THIS IS A C.A.D. GENERATED DRAWING. DO NOT MAKE MANUAL REVISIONS TO MASTER.

OUTLINE DRAWING													
SPECIFICATIONS ARE SUBJECT TO CHANGES WITHOUT NOTICE													
UNLESS OTHERWISE SPECIFIED DIMENSIONS ARE IN INCHES DO NOT SCALE PRINT		ORIGINAL DATE OF DRAWING: 11-24-82	TE Connectivity										
FILE NAME: 804330UT	DIRECTORY: SLD5WCH	DRAWN: BEV EICHKORN		DATE: 11-24-82									
MATERIAL: SEE SPECIFICATIONS		CHECKED: B.BUCKHEIT	DATE: 12-7-82										
FINISH: SEE SPECIFICATIONS		APPROVED: A.S.GREEN	DATE: 12-10-82										
AUGAT CONFIDENTIAL This document contains information which is the exclusive property of Augat Inc. Distribution, reproduction or use by others is not permitted without the expressed written consent of Augat Inc.		CODE IDENT. NO. 91506	DWG. SIZE C										
TOLERANCES (EXCEPT AS NOTED) ANGULAR = ±1° DECIMAL .XX = ± DECIMAL .XXX = ±.010 DECIMAL .XXXX = ±		NEXT ASSY:	DWG. NO. 1-1437575-4										
<table border="1"> <tr> <td>A</td> <td>REVISED PER ECO-11-005294</td> <td>RK</td> <td>HMR</td> <td>13APR11</td> </tr> <tr> <td>LTR</td> <td>REVISION RECORD</td> <td>DR</td> <td>CHK</td> <td>DATE</td> </tr> </table>		A	REVISED PER ECO-11-005294	RK	HMR	13APR11	LTR	REVISION RECORD	DR	CHK	DATE	PRODUCT CODE:	REV. A
A	REVISED PER ECO-11-005294	RK	HMR	13APR11									
LTR	REVISION RECORD	DR	CHK	DATE									
		SCALE:	SHEET 1 OF 1										