

For use with TO-5 or TO-39 packages

Part Number - 321527B00000G

RoHS    
Compliant

Product   
Change   
Notice 

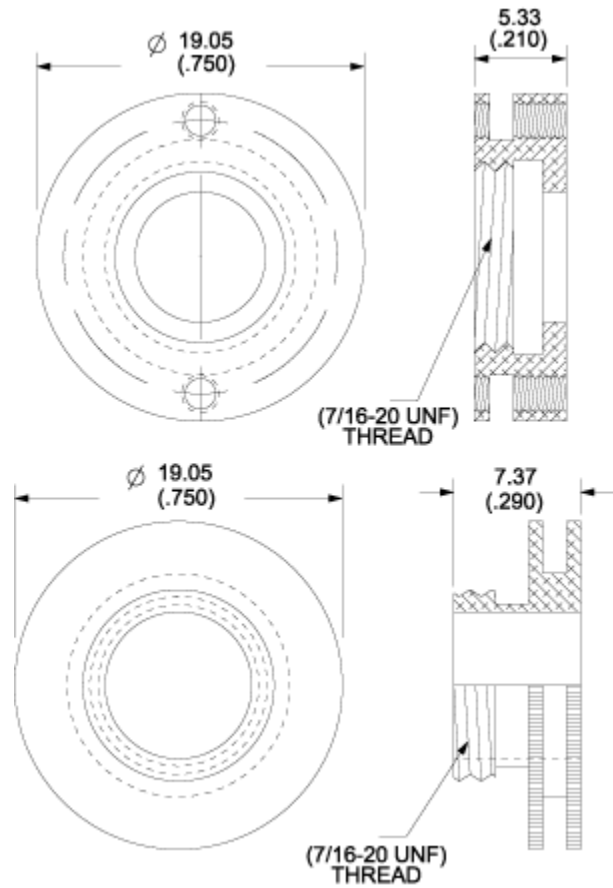


Top Base Part # 321528

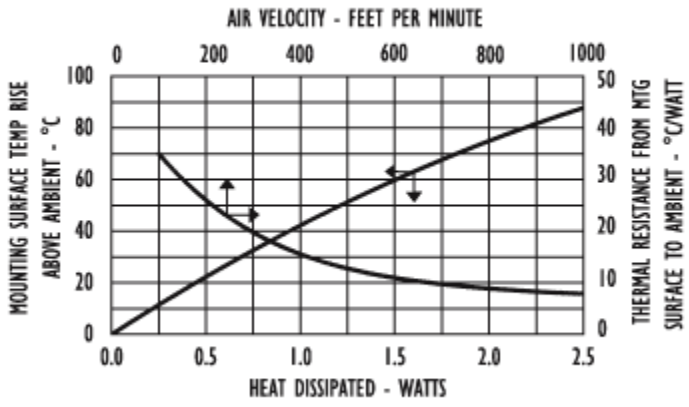


Bottom Base Part # 321529

### Mechanical Outline Drawing



### Thermal Curves



Thermal Resistance	35.20
--------------------	-------

Thermal resistance value is based on a 75°C rise in natural convection

## Product Information

Part #	Description	Finish	Board Mounting
321527B00000G	Two Piece heat sink with tapped mounting holes for retention	Black Anodize	N/A