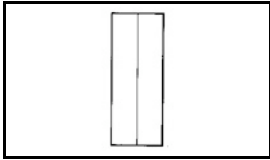


34137 Product Details

[Share](#) [Print](#) [Email](#)



34137

TE Internal Number: 34137

Active

[View 3D PDF](#)

Splices - Closed Barrel

Always EU RoHS/ELV Compliant
(Statement of Compliance)

Product Highlights:

- Splice
- Not Sealed
- Splice Type = Parallel
- Body Style = SOLISTRAND
- Uninsulated

[View all Features](#)

Quick Links

- ▶ [Pricing & Availability](#)
- ▶ [Search for Tooling](#)
- ▶ [Product Feature Selector](#)
- ▶ [Contact Us About This Product](#)

[Add to My Part List](#)

[Request Sample](#)

[Find Similar Products](#)

[Buy Product](#)

Documentation & Additional Information	
<p>Product Drawings:</p> <ul style="list-style-type: none"> • SPLICE, PARALLEL, SOLISTRAND (PDF, English) <p>Catalog Pages/Data Sheets:</p> <ul style="list-style-type: none"> • None Available <p>Product Specifications:</p> <ul style="list-style-type: none"> • None Available <p>Application Specifications:</p> <ul style="list-style-type: none"> • None Available <p>Instruction Sheets:</p> <ul style="list-style-type: none"> • None Available <p>CAD Files: (CAD Format & Compression Information)</p> <ul style="list-style-type: none"> • 2D Drawing (DXF, Version P) • 3D Model (IGES, Version P) • 3D Model (STEP, Version P) 	<p>Related Products:</p> <ul style="list-style-type: none"> • Tooling

[List all Documents](#)

Product Features (Please use the Product Drawing for all design activity)	
<p>Product Type Features:</p> <ul style="list-style-type: none"> • Product Type = Splice • Sealed = No • Splice Type = Parallel • Insulation = No • Insulation Support = Non-Insulation Support • Finish = Tin • Color = None <p>Termination Features:</p> <ul style="list-style-type: none"> • Wire/Cable Size (CMA) = 2,050 - 5,180 <p>Dimensions:</p> <ul style="list-style-type: none"> • Inside Diameter (mm [in]) = 2.16 [0.085] <p>Body Features:</p> <ul style="list-style-type: none"> • Body Style = SOLISTRAND • Wire Range (mm [AWG]) = 1.25-2.00² [16-14] • Material = Copper 	<p>Industry Standards:</p> <ul style="list-style-type: none"> • Government/Industry Qualification = No • RoHS/ELV Compliance = RoHS compliant, ELV compliant • Lead Free Solder Processes = Not relevant for lead free process • RoHS/ELV Compliance History = Always was RoHS compliant <p>Packaging Features:</p> <ul style="list-style-type: none"> • Packaging Method = Loose Piece <p>Other:</p> <ul style="list-style-type: none"> • Brand = AMP

- Stock Thickness (mm [in]) = 0.84 [0.033]
- Nominal Outside Diameter (mm [in]) = 4.19 [0.165]

Corporate Information

[About TE](#)
[Investors](#)
[News Room](#)
[Supplier Portal](#)
[Careers](#)
[Terms & Conditions](#)
[Privacy Policy](#)

Quick Links

[Distributor Inventory](#)
[Product Cross Reference](#)
[Documents & Drawings](#)
[Product Compliance Support Center](#)
[Site Map](#)

Customer Support

[Email or Chat With Us](#)
[Find a Phone Number](#)
[Knowledge Base](#)
[Manage Your Account](#)

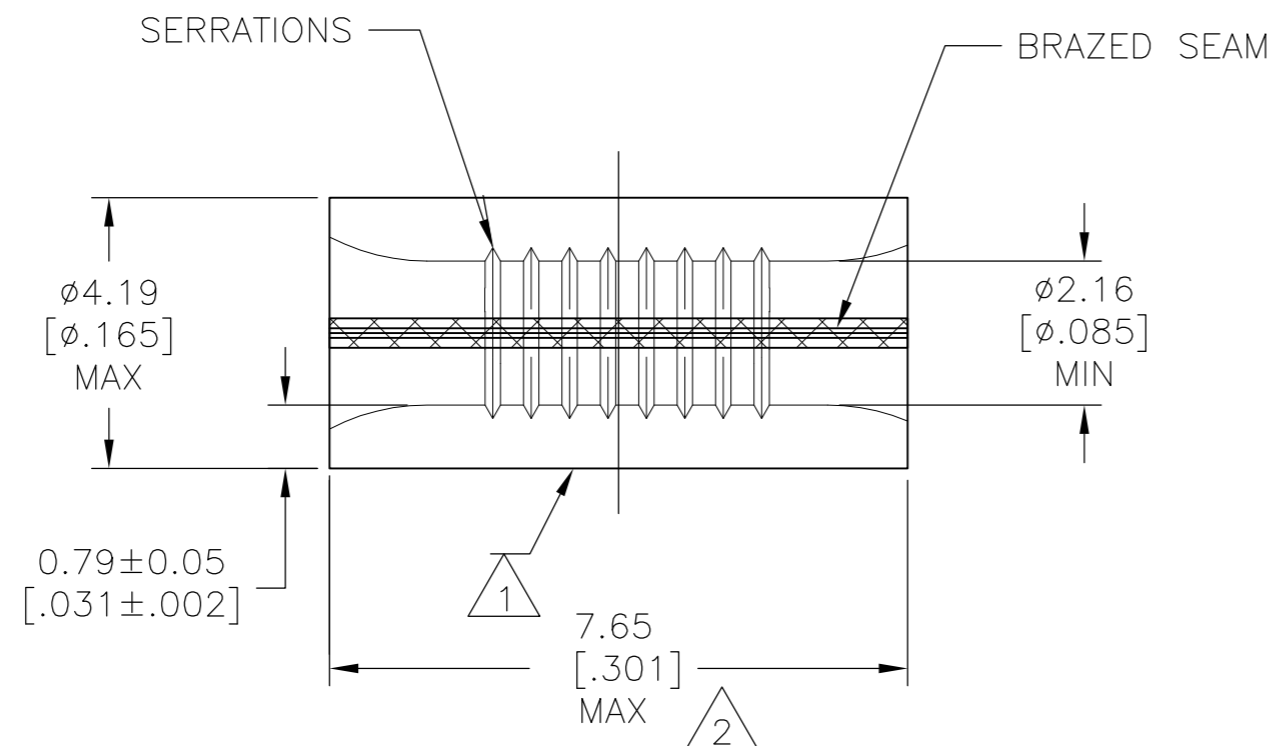
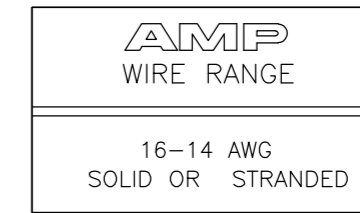


Keep Me Informed



THIS DRAWING IS UNPUBLISHED. RELEASED FOR PUBLICATION
 © COPYRIGHT - By - ALL RIGHTS RESERVED.

LOC	DIST	REVISIONS					
		P	LTR	DESCRIPTION	DATE	DWN	APVD
G	14		N1	REVISED PER ECO-11-011757	08JUN11	HMR	DR



- 1 STAMP AMP 16-14* APPROX AS SHOWN
- 2 MAXIMUM LENGTH DOES NOT INCLUDE MANUFACTURING TABS
- 3 MATERIAL: COPPER PER ASTM B-152 ANNEALED
- 4 FINISH: TIN PLATE 0.00254 [.000100] MIN EXT THK PER ASTM B-545
- 5 FINISH: TIN/LEAD (60/40) PLATE, 0.00254 [.000100] MIN EXT THK PER SAE-AMS-P-81728
- 6 GOLD PLATE 0.00254 [.000100] MIN EXT THK PER ASTM B488 TYPE1, CODE C OVER NICKEL PLATE 0.00127[.000050] MIN EXT THK PER SAE AMS QQ-N-290 OVER Cu FLASH PER SAE AMS 2418
- 7 UL LISTED E13288, 16-14 AWG SOLID OR STRANDED
- 8 CSA CERTIFIED LR7189, 16-14 AWG SOLID OR STRANDED
- 9 PRELIMINARY - NOT FOR PRODUCTION
- 10 GOLD PLATE 0.00127[.000050] MIN EXT THK PER ASTM B488, TYPE1, CODE C OVER NICKEL PLATE 0.00127[.000050] MIN EXT THK PER SAE AMS QQ-N-290 OVER Cu FLASH PER SAE AMS 2418

MAX TEMP	APPROVALS	FINISH	QTY	PACKAGE TYPE	PART NO
170°C	7 8	4	10	SEALED BAG	9 8-34137-5
170°C	7 8	4	100	LOOSE PIECE, BOX	8-34137-1
260°C	----	10	1000	LOOSE PIECE	34137-4
170°C	----	5	1000	LOOSE PIECE	34137-3
170°C	----	6	1000	LOOSE PIECE	34137-2
170°C	7 8	4	1000	LOOSE PIECE	34137

AMP INCORPORATED
CUSTOMER SERVICE SYSTEMS

MAX RECOMMENDED OPERATING TEMPERATURE:
 SEE TABLE

VOLTAGE RATING:
 N/A

CIRCULAR MIL AREA:
 1.04-2.62mm² [2,050-5,180]
 SOLID OR STRANDED

FOR ADDITIONAL PRODUCT INFORMATION OR COPIES OF DRAWINGS AND TECHNICAL DOCUMENTS
 PRODUCT INFORMATION CENTER
 1-800-522-6752

FOR APPLICATION TOOLING INFORMATION
 TOOLING ASSISTANCE CENTER
 1-800-722-1111

FOR ORDER ENTRY
 1-800-526-5142

THIS DRAWING IS A CONTROLLED DOCUMENT FOR AMP INCORPORATED. IT IS SUBJECT TO CHANGE AND THE CONTROLLING ENGINEERING ORGANIZATION SHOULD BE CONTACTED FOR THE LATEST REVISION.

THIS DRAWING IS A CONTROLLED DOCUMENT.

DIMENSIONS: mm [INCHES]

TOLERANCES UNLESS OTHERWISE SPECIFIED:

0 PLC	± -
1 PLC	± -
2 PLC	± -
3 PLC	± -
4 PLC	± -
ANGLES	± -

FINISH: SEE TABLE

MATERIAL: - 3

THIS DRAWING IS A CONTROLLED DOCUMENT. DWN TA BRINKMAN 4-13-93
 CHK DA PATTERSON 4-13-93
 APVD DA PATTERSON 4-13-93

NAME: SPLICE, PARALLEL, SOLISTRAND

SIZE: A2 CAGE CODE: 00779 DRAWING NO: C-34137 RESTRICTED TO: -

SCALE: 10:1 SHEET: 1 OF 1 REV: N1

CUSTOMER DRAWING