

## 34113 Product Details

[Share](#) [Print](#) [Email](#)



**34113**

TE Internal Number: 34113

 Active

[View 3D PDF](#)

### Ring and Spade Tongue Terminals

 Always EU RoHS/ELV Compliant  
(Statement of Compliance)

#### Product Highlights:

- Terminal Shape = Ring Tongue
- Receptacle Style = Straight
- Body Style = SOLISTRAND
- Barrel Type = Closed Barrel
- Wire/Cable Type = Regular Wire

[View all Features](#)

### Quick Links

- ▶ [Pricing & Availability](#)
- ▶ [Search for Tooling](#)
- ▶ [Product Feature Selector](#)
- ▶ [Contact Us About This Product](#)

[Add to My Part List](#)

[Request Sample](#)

[Find Similar Products](#)

[Buy Product](#)

### Documentation & Additional Information

#### Product Drawings:

- [TERMINAL, RING TONGUE, SOLISTRAND \(PDF, English\)](#)

#### Catalog Pages/Data Sheets:

- None Available

#### Product Specifications:

- None Available

#### Application Specifications:

- None Available

#### Instruction Sheets:

- None Available

#### CAD Files: [\(CAD Format & Compression Information\)](#)

- [2D Drawing \(DXF, Version T\)](#)
- [3D Model \(IGES, Version T\)](#)
- [3D Model \(STEP, Version T\)](#)

[List all Documents](#)

#### Related Products:

- [Tooling](#)

### Product Features (Please use the Product Drawing for all design activity)

#### Product Type Features:

- [Terminal Shape](#) = Ring Tongue
- [Receptacle Style](#) = Straight
- [Barrel Type](#) = Closed Barrel
- [Wire/Cable Type](#) = Regular Wire
- [Insulation](#) = No
- [Insulation Support](#) = Non-Insulation Support
- [Stud Diameter \(mm \[in\]\)](#) = 6.35 [0.250]
- [Stud Size](#) = 1/4 [M6]
- [Shape](#) = RING-048
- [Heavy Duty](#) = No
- [Finish](#) = Tin

#### Termination Features:

- [Wire/Cable Size \(CMA\)](#) = 509 - 3,260

#### Dimensions:

- [Barrel I.D. Min. \(mm \[in\]\)](#) = 1.55 [0.061]

#### Body Features:

- [Body Style](#) = SOLISTRAND
- [Wire Range \(mm \[AWG\]\)](#) = 0.30-1.40<sup>2</sup> [22-16]
- [Material](#) = Copper
- [Stock Thickness \(mm \[in\]\)](#) = 0.84 [0.033]

#### Industry Standards:

- [Government/Industry Qualification](#) = No
- [RoHS/ELV Compliance](#) = RoHS compliant, ELV compliant
- [Lead Free Solder Processes](#) = Not relevant for lead free process
- [RoHS/ELV Compliance History](#) = Always was RoHS compliant

#### Packaging Features:

- [Packaging Method](#) = Loose Piece

#### Other:

- Brand = AMP

### Corporate Information

[About TE](#)  
[Investors](#)  
[News Room](#)  
[Supplier Portal](#)  
[Careers](#)  
[Terms & Conditions](#)  
[Privacy Policy](#)

### Quick Links

[Distributor Inventory](#)  
[Product Cross Reference](#)  
[Documents & Drawings](#)  
[Product Compliance Support Center](#)  
[Site Map](#)

### Customer Support

[Email or Chat With Us](#)  
[Find a Phone Number](#)  
[Knowledge Base](#)  
[Manage Your Account](#)

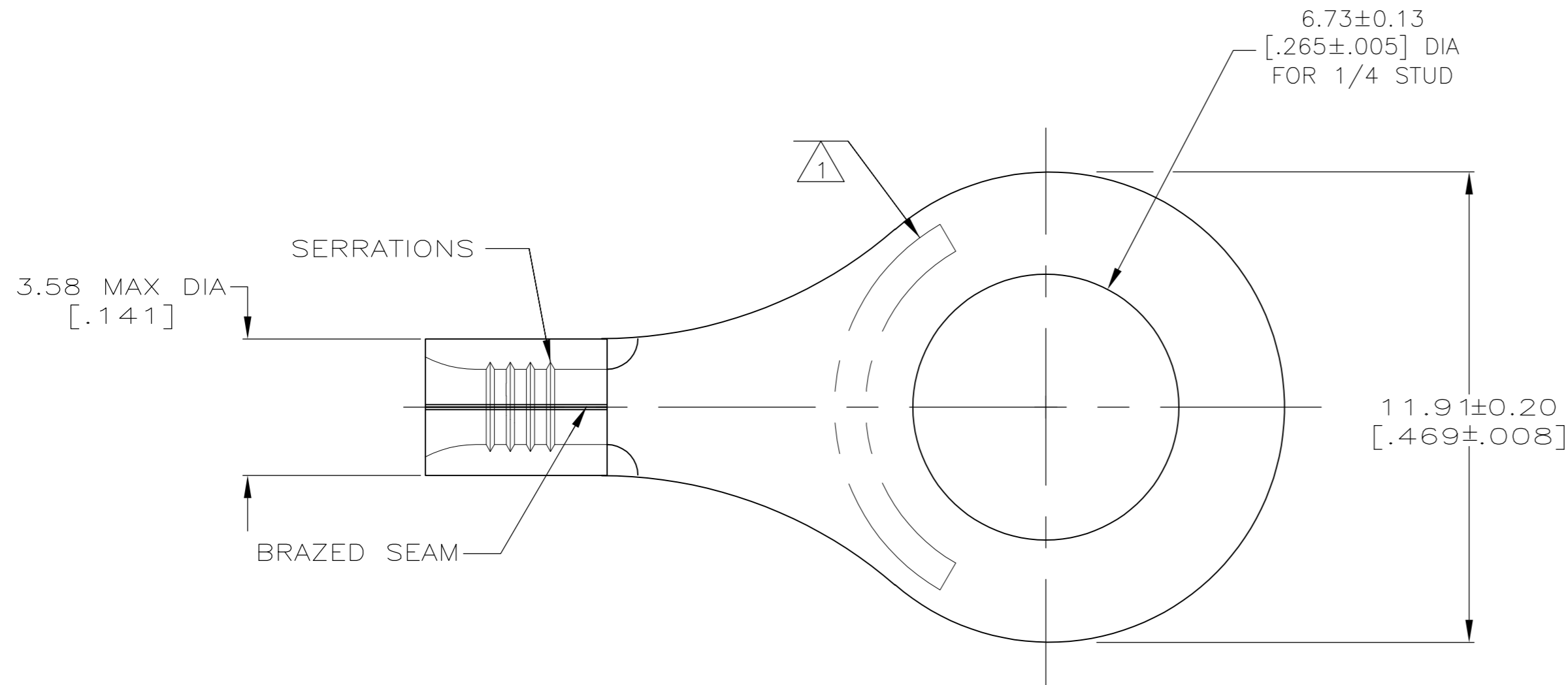


### Keep Me Informed



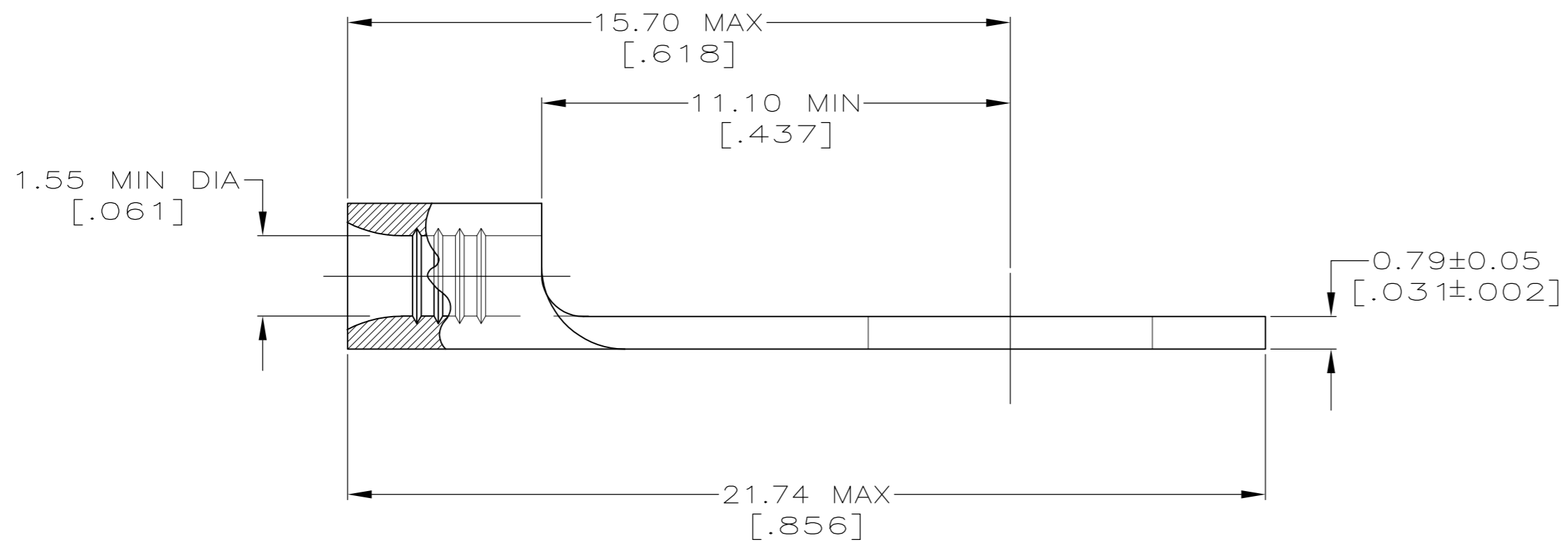
THIS DRAWING IS UNPUBLISHED. RELEASED FOR PUBLICATION  
 © COPYRIGHT - By - ALL RIGHTS RESERVED.

LOC		DIST		REVISIONS			
P	LTR	DESCRIPTION		DATE	DWN	APVD	
G	14	E5		REVISED PER ECO-11-004587	11MAR11	RK HMR	



<b>AMP</b> WIRE RANGE	Listed FILE E13288	LR7189 Certified
22-16 AWG SOLID OR STRANDED	22-16 AWG SOLID OR STRANDED	22-16 AWG SOLID OR STRANDED

- 1 STAMP AMP 22-18\* APPROX AS SHOWN  
22-16 TERMINALS ARE STAMPED 22-18 IN  
ACCORDANCE WITH MILITARY SPEC MIL-T-7928  
COMMERCIAL WIRE RANGE IS 22-16
- 2 TIN PLATE 0.00254[.000100] MIN THK  
ASTM B-545
- 3 CLEANED, UNPLATED
- 4 NICKEL PLATED 0.00762 [.000300] MIN THK PER  
QQ-N-290.



100	170°C MAX	LOOSE PIECE, BOX	2	8-34113-1
5000	170°C MAX	ON TAPE	2	2-34113-2
-	343°C MAX	LOOSE PIECE	4	34113-4
-	170°C MAX	LOOSE PIECE	3	34113-3
-	170°C MAX	LOOSE PIECE	2	34113
QTY	MAX TEMP.	PACKAGE TYPE	FINISH	PART NUMBER

<b>AMP INCORPORATED CUSTOMER SERVICE SYSTEMS</b>		MAX RECOMMENDED OPERATING TEMPERATURE: SEE TABLE	THIS DRAWING IS A CONTROLLED DOCUMENT.		DWN TA BRINKMAN 3-10-93	TE Connectivity	
FOR ADDITIONAL PRODUCT INFORMATION OR COPIES OF DRAWINGS AND TECHNICAL DOCUMENTS	PRODUCT INFORMATION CENTER 1-800-522-6752	VOLTAGE RATING: N/A	DIMENSIONS: mm [INCHES]	TOLERANCES UNLESS OTHERWISE SPECIFIED:	CHK DA PATTERSON 3-10-93	NAME TERMINAL, RING TONGUE, SOLISTRAND	
FOR APPLICATION	TOOLING ASSISTANCE CENTER 1-800-722-1111	CIRCULAR MIL AREA: 0.26-1.65mm² [509-3260] CIR MILS SOLID OR STRANDED		0 PLC ± - 1 PLC ± - 2 PLC ± 0.20 [.008] 3 PLC ± - 4 PLC ± - ANGLES ± -	APVD DE MILLER 3-10-93	SIZE A2	CAGE CODE 00779
TOOLING INFORMATION	1-800-722-1111	MATERIAL COPPER PER ASTM B152 ANNEALED	FINISH SEE TABLE	FINISH SEE TABLE	PRODUCT SPEC -	DRAWING NO C-34113	RESTRICTED TO -
FOR ORDER ENTRY	1-800-526-5142	THIS DRAWING IS A CONTROLLED DOCUMENT FOR AMP INCORPORATED. IT IS SUBJECT TO CHANGE AND THE CONTROLLING ENGINEERING ORGANIZATION SHOULD BE CONTACTED FOR THE LATEST REVISION.		WEIGHT -	APPLICATION SPEC -	SCALE 8:1	SHEET 1 OF 1
					CUSTOMER DRAWING	REV E5	