



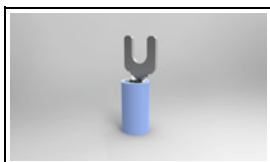
Have a Question?
 Chat with a Product
 Information Specialist

What can we help you find?

[Products](#) |
 [Industries](#) |
 [Resources](#) |
 [About TE](#) |
 [My Account](#) |
 [Innovation](#) |
 [Support Center](#)

328281 Product Details

[Share](#) |
 [Print](#) |
 [Email](#)



328281

TE Internal Number: 328281

Active

[View 3D PDF](#)

Ring and Spade Tongue Terminals

Always EU RoHS/ELV Compliant (Statement of Compliance)

Product Highlights:

- Terminal Shape = Spade Tongue
- Receptacle Style = Straight
- Body Style = PIDG
- Barrel Type = Closed Barrel
- Wire/Cable Type = Regular Wire

[View all Features](#)

Quick Links

- ▶ [Pricing & Availability](#)
- ▶ [Search for Tooling](#)
- ▶ [Product Feature Selector](#)
- ▶ [Contact Us About This Product](#)

[Add to My Part List](#) |
 [Request Sample](#) |
 [Find Similar Products](#) |
 [Buy Product](#)

Documentation & Additional Information

Product Drawings:

- [terminal p.i.d.g., spade wire size: 16-14](#) (PDF, English)

Catalog Pages/Data Sheets:

- None Available

Product Specifications:

- None Available

Application Specifications:

- [Pre-Insulated Diamond Grip \(PIDG\) Terminals, Splices...](#) (PDF, English)

Instruction Sheets:

- None Available

CAD Files: (CAD Format & Compression Information)

- [2D Drawing](#) (DXF, Version K)
- [3D Model](#) (IGES, Version K)
- [3D Model](#) (STEP, Version K)

[List all Documents](#)

Related Products:

- [Tooling](#)

Product Features (Please use the Product Drawing for all design activity)

Product Type Features:

- Terminal Shape = Spade Tongue
- Receptacle Style = Straight
- Barrel Type = Closed Barrel
- Wire/Cable Type = Regular Wire
- Insulation = Yes
- Insulation Support = Insulation Support
- Stud Diameter (mm [in]) = 3.51 [0.138]
- Stud Size = 6 [M3.5]
- Shape = SPADE-020
- Heavy Duty = No
- Finish = Tin
- Color = Blue

Electrical Characteristics:

- Voltage (VAC) = 300

Termination Features:

- Wire/Cable Size (CMA) = 2,050 - 5,180

Dimensions:

- Insulation Diameter (mm [in]) = 4.32 [.170] Max.

Body Features:

- Body Style = PIDG
- Wire Range (mm [AWG]) = 1.25-2.00² [16-14]
- Material = Copper
- Tongue Material Thickness (mm [in]) = 0.84 [0.033]
- Insulation Material = Nylon

Industry Standards:

- Government/Industry Qualification = No
- RoHS/ELV Compliance = RoHS compliant, ELV compliant
- Lead Free Solder Processes = Not relevant for lead free process
- RoHS/ELV Compliance History = Always was RoHS compliant

Packaging Features:

- Packaging Method = Loose Piece

Other:

- Brand = AMP

Corporate Information

[About TE](#)
[Investors](#)
[News Room](#)

Quick Links

[Distributor Inventory](#)
[Product Cross Reference](#)
[Documents & Drawings](#)

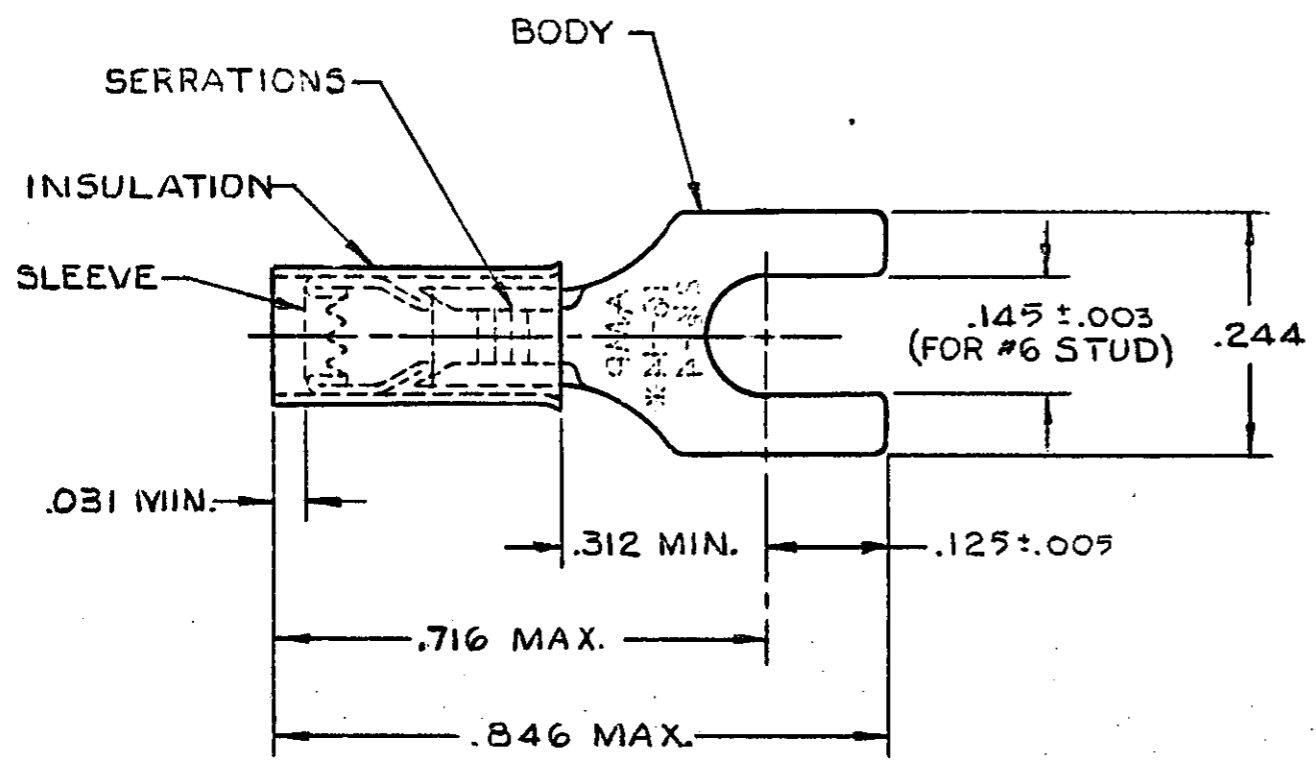
Customer Support

[Email or Chat With Us](#)
[Find a Phone Number](#)
[Knowledge Base](#)

THIS DRAWING IS UNPUBLISHED. RELEASED FOR PUBLICATION

© COPYRIGHT — BY —

REVISIONS						
P	F	ZONE	LTR	DESCRIPTION	DATE	APPROVED
			K1	REVISED PER ECO-11-005294	08APR11	HMR



- 1 WIRE INSULATION DIA: SEE TABLE.
- 2 TONGUE MATERIAL THK.: .031 ± .002

	.115-.170	100	LOOSE PC, BOX	8-328281-1
OB	.115-.170	100	ON TAPE, SM. BOX	1-328281-4
OB	.115-.170	1000	ON TAPE, LG. BOX	1-328281-3
OB	.105-.170	2000	ON TAPE, REEL	1-328281-2
	.115-.170	5000	ON TAPE, REEL	1-328281-1
OB	.105-.170	---	LOOSE PIECE	1-328281-0
	.115-.170	---	LOOSE PIECE	328281
	WIRE INS. DIA.	QUANTITY	DESCRIPTION	PART NO

UNLESS OTHERWISE SPECIFIED DIMENSIONS ARE IN INCHES. TOLERANCES ON: DECIMALS ± .008 ANGLES ± —	CONTRACT NO		TE Connectivity	
	DR UTA/RFB 10-4-85			
MATERIAL INSULATION: NYLON - BLUE BODY & SLEEVE: COPPER (CG-C-576)	CHK P. M. [Signature] 2-13-86		NAME TERMINAL P.I.D.G., SPADE WIRE SIZE: 16-14	
	APPD [Signature] 12-13-55			
FINISH BODY & SLEEVE TIN PL (MIL-T-10727) .000100 MIN. THK.	DSGN APPD	SIZE B	FSCM NO 00779	DRAWING NO 328281
	OTHER APPD	SCALE NTS	SHEET 1 OF 1	