

Current refinements (click to remove)

[Search Tips](#) 
 Region **USA** Product Family **Ring Terminal, Nylon Insulated** Text Search: 'PN10-8R-L'

Your search criteria matched only one product, shown below.


- Ring tongue design assures a secure connection in high vibration applications
- Metal insulation grip sleeve crimps to wire insulation, providing protection to the crimp joint during high vibration applications
- Internal barrel serrations assure good wire contact and maximum tensile strength
- UL Flammability UL 94V-2/HB, maximum insulation temperature 221°F (105°C)
- UL and CSA rated up to 600 V per UL 486

‡UL and CSA approved tooling/product combinations.

Note: Wire sizes #26 – #22 AWG, are not UL Listed or CSA Certified.

Related Products
[Hand Operated Plier Type Tools](#)
[Contour Crimp™ Control...](#)
[Pneumatic Crimping Tool](#)

| | |
|-------------------------|--|
| Part Number: | PN10-8R-L |
| RoHS Compliancy Status: | Compliant |
| Part Description: | Ring Terminal, 12 – 10 AWG, #8 stud size, nylon insulated. |
| Product Type: | Terminals |
| CSA Certified: | Yes |
| Mil. Std. Part Number: | MS25036-156 (Class 1 & 2) |
| UL Listed: | Yes |
| Length (In.): | 1.06 |
| Length (mm): | 27.4 |
| Width (In.): | .37 |
| Width (mm): | 9.4 |
| Clearance: | .31 |
| Max. Ins.: | .225 |
| Panduit Color Code: | Yellow |
| Stock: | .04 |
| Stud Size: | #8 |
| Tool: | CT-100A‡, CT-600-A‡, CT-1550‡, CT-1551‡, CT-2500‡ |
| Wire Range: | 12 – 10 AWG |
| Min. Order UOM: | PC |
| Min. Order Qty.: | 50 |
| BOM Qty. (# of Pkgs.) | |

[Add to My Catalog](#)

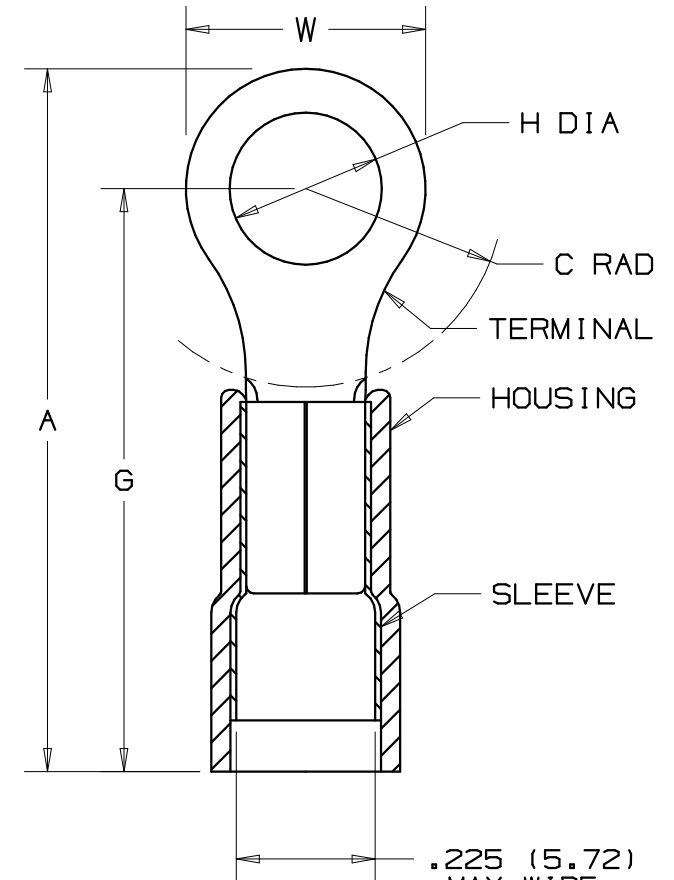
 Please [register](#) to utilize the 'Bill of Materials', 'Submit Quotes' and 'My Catalog' features.

THIS COPY IS PROVIDED ON A RESTRICTED BASIS AND IS NOT TO BE USED IN ANY WAY DETRIMENTAL TO THE INTERESTS OF PANDUIT CORP.

| PANDUIT PART NUMBER | MILITARY PART NO. AND CLASS | STUD SIZE | DIMENSIONS in. | | | | |
|---------------------|-----------------------------|-----------|----------------|---------------|---------------|----------------|---------------|
| | | | A ±.04 | W ±.01 | C ±.02 | G ±.04 | H ±.01 |
| PN10-6R | MS25036-111 CLASS 1 & 2 | #6 | 1.06 (26.9) | .37 (9.4) | .31 (7.9) | .88 (22.3) | .15 (3.8) |
| PN10-8R | MS25036-156 CLASS 1 & 2 | #8 | 1.06 (26.9) | .37 (9.4) | .31 (7.9) | .88 (22.3) | .17 (4.3) |
| PN10-10R | MS25036-112 CLASS 1 & 2 | #10 | 1.06 (26.9) | .38 (9.7) | .31 (7.9) | .88 (22.3) | .20 (5.1) |
| PN10-14R | MS25036-157 CLASS 1 & 2 | 1/4" | 1.21 (30.7) | .52 (13.2) | .38 (9.7) | .95 (24.1) | .27 (6.9) |
| PN10-56R | MS25036-113 CLASS 1 & 2 | 5/16" | 1.21 (30.7) | .52 (13.2) | .38 (9.7) | .95 (24.1) | .33 (8.4) |
| PN10-38R | MS25036-114 CLASS 1 & 2 | 3/8" | 1.29 (32.8) | .58 (14.7) | .43 (10.9) | 1.00 (25.4) | .39 (9.9) |
| PN10-12R | ----- | 1/2" | 1.47 (37.3) | .72 (18.3) | .53 (13.5) | 1.11 (28.2) | .52 (13.2) |

NOTES:

- UL LISTED AND CSA CERTIFIED FOR:
 - 600V. MAX. BLDG. WIRE (1000V. MAX. IN SIGNS, FIXTURES & LUMINARIES)
 - 221°F. (105°C) MAX. TEMP. RATING
 - #12-10 AWG STRANDED AND #12 AWG SOLID COPPER WIRE WITH THE CT-1550 AND CT-1551 INST. TOOLS
 - #12-10 AWG SOLID OR STRANDED COPPER WIRE WITH THE CT-100 INSTALLATION TOOL.
 - MIL CLASS 2 WITH THE CT-460 INSTALLATION TOOL
- MATERIAL:
 - STAMPING- .04" (1.02) THK. COPPER, TIN PLATED
 - HOUSING- NYLON, YELLOW
 - SLEEVE- BRASS, TIN PLATED
- WIRE STRIP LENGTH- 9/32" +1/32, -0 (7.1, +.8, -0)
- PACKAGE QUANTITY: -L = 50, -D = 500
- DIMENSIONS IN PARENTHESIS ARE IN MILLIMETERS



Panduit part numbers shown on this drawing meet the material requirements of RoHS (EUROPEAN DIRECTIVES 2002/95/EC) as proposed by the Technical Adaptation Committee

A41186_09

| | | | | | | | | |
|-----|-------|-----|-----|---|---------|-----------|-----|---|
| 09 | 8/06 | DAW | DAW | ADDED METRIC PART NO. & CLASS | TR00155 | LCA | TRO |  TINLEY PARK, ILLINOIS 3PC. NYLON INSULATED, 12-10 BARREL, RINGS |
| 08 | 12/02 | SAC | SKB | MADE ALL METRIC DIMS ONE PLACE | 10504 | LCA | TRO | |
| 07 | 10/02 | SAC | SKB | CHANGED DIM. M TO DIM. G, & DIM. C FOR PN10-12R WAS .56 | 10480 | LA | TRO | |
| 06 | 9/02 | SAC | SKB | ADDED PN10-12R | 10453 | LA SKB | TRO | |
| REV | DATE | BY | CHK | DESCRIPTION | ECN # | CUST | PM | DRAWN BY: FES CHK'D: LA SCALE: NONE DRAWING NO.: A41186 |