

## 8-36160-1 Product Details

[Share](#) [Print](#) [Email](#)



**8-36160-1**

TE Internal Number: 8-36160-1

Active

[View 3D PDF](#)

### Ring and Spade Tongue Terminals

Always EU RoHS/ELV Compliant (Statement of Compliance)

#### Product Highlights:

- Terminal Shape = Ring Tongue
- Receptacle Style = Straight
- Body Style = PIDG
- Barrel Type = Closed Barrel
- Wire/Cable Type = Regular Wire

[View all Features](#)

### Quick Links

- ▶ [Pricing & Availability](#)
- ▶ [Search for Tooling](#)
- ▶ [Product Feature Selector](#)
- ▶ [Contact Us About This Product](#)

[Add to My Part List](#) [Request Sample](#) [Find Similar Products](#) [Buy Product](#)

### Documentation & Additional Information

#### Product Drawings:

- [TERMINAL, RING TONGUE, PIDG , WIRE SIZE: 16-14 AWG \(PDF, English\)](#)

#### Catalog Pages/Data Sheets:

- None Available

#### Product Specifications:

- None Available

#### Application Specifications:

- [Pre-Insulated Diamond Grip \(PIDG\) Terminals, Splices... \(PDF, English\)](#)

#### Instruction Sheets:

- None Available

#### CAD Files: [\(CAD Format & Compression Information\)](#)

- [2D Drawing \(DXF, Version W\)](#)
- [3D Model \(IGES, Version W\)](#)
- [3D Model \(STEP, Version W\)](#)

[List all Documents](#)

#### Related Products:

- [Tooling](#)

### Product Features (Please use the Product Drawing for all design activity)

#### Product Type Features:

- Receptacle Style = Straight
- Barrel Type = Closed Barrel
- Wire/Cable Type = Regular Wire
- Insulation = Yes
- Insulation Support = Insulation Support
- Stud Size = 10
- Shape = RING-041
- Heavy Duty = No
- Finish = Tin
- Color = Blue

#### Electrical Characteristics:

- Voltage (VAC) = 300

#### Termination Features:

- Wire/Cable Size (CMA) = 2,050 - 5,180

#### Dimensions:

- Insulation Diameter (mm [in]) = 4.32 [.170] Max.
- Stud Diameter (mm [in]) = 5.00 [0.197]
- Tongue Material Thickness (mm [in]) = 0.79 [0.031]

#### Body Features:

- Body Style = PIDG
- Wire Range (mm [AWG]) = 1.25-2.00<sup>2</sup> [16-14]
- Material = Copper
- Insulation Material = Nylon

#### Contact Features:

- Terminal Shape = Ring Tongue

#### Industry Standards:

- Government/Industry Qualification = No
- RoHS/ELV Compliance = RoHS compliant, ELV compliant
- Lead Free Solder Processes = Not relevant for lead free process
- RoHS/ELV Compliance History = Always was RoHS compliant

#### Packaging Features:

- Packaging Method = Loose Piece
- Packaging Quantity = 100/Box

#### Other:

- Brand = AMP

### Corporate Information

- [About TE](#)
- [Investors](#)
- [News Room](#)
- [Supplier Portal](#)

### Quick Links

- [Distributor Inventory](#)
- [Product Cross Reference](#)
- [Documents & Drawings](#)
- [Product Compliance Support Center](#)

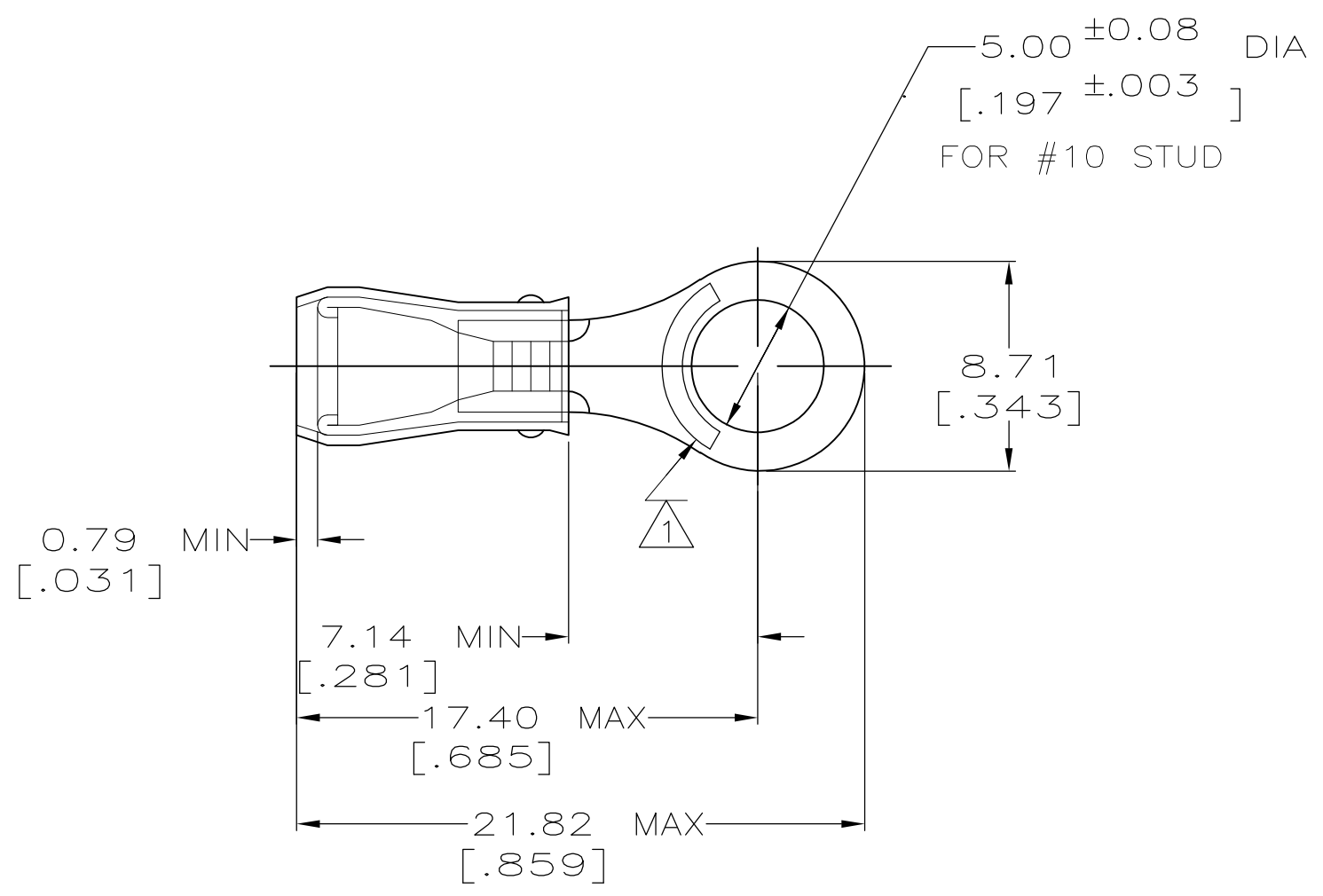
### Customer Support

- [Email or Chat With Us](#)
- [Find a Phone Number](#)
- [Knowledge Base](#)
- [Manage Your Account](#)

THIS DRAWING IS UNPUBLISHED. RELEASED FOR PUBLICATION  
 © COPYRIGHT - By - ALL RIGHTS RESERVED.

LOC	DIST	REVISIONS			
P	LTR	DESCRIPTION	DATE	DWN	APVD
G	14	M2	REVISED PER ECO-11-004587	11MAR11	RK HMR

<b>AMP</b> WIRE RANGE	Listed	LR7189 Certified
16-14 AWG SOLID OR STRANDED	16-14 AWG SOLID OR STRANDED	16-14 AWG SOLID OR STRANDED



- 1 STAMP AMP 16-14\* APPROX AS SHOWN  
STAMP MAY BE ON TOP OR BOTTOM.
- 2 WIRE INSUL DIA, 2.92-4.32 [.115-.170]
- 3 TONGUE MATERIAL THK, 0.79±0.05 [.031±.002]
- 4 SUPERSEDED BY 8-36160-5

4	25	LOOSE PIECE,BLS	9-36160-4
	50	LOOSE PIECE,BAG	8-36160-5
4	5	LOOSE PIECE,BLS	8-36160-4
	100	LOOSE PIECE, BOX	8-36160-1
	5000	ON TAPE, REEL	2-36160-1
	1000	LOOSE PIECE	36160
	QUANTITY	PACKAGE TYPE	PART NO

<b>AMP INCORPORATED CUSTOMER SERVICE SYSTEMS</b>		MAX RECOMMENDED OPERATING TEMPERATURE: 105° C [221° F]	DWN JR RUTH 17DEC99		TE Connectivity		
FOR ADDITIONAL PRODUCT INFORMATION OR COPIES OF DRAWINGS AND TECHNICAL DOCUMENTS	PRODUCT INFORMATION CENTER 1-800-522-6752	VOLTAGE RATING: 300 V MAX	DIMENSIONS: INCHES	TOLERANCES UNLESS OTHERWISE SPECIFIED: 0 PLC ± - 1 PLC ± - 2 PLC ± 0.20[.008] 3 PLC ± - 4 PLC ± - ANGLES ± -			
FOR APPLICATION TOOLING INFORMATION	TOOLING ASSISTANCE CENTER 1-800-722-1111	WIRE CROSS SECTIONAL AREA RANGE: 1.04-2.62mm <sup>2</sup>	MATERIAL COPPER ASTM B-152 SLEEVE BLUE NYLON		FINISH TIN PLATE ASTM B545	NAME TERMINAL, RING TONGUE, PIDG™, WIRE SIZE: 16-14 AWG	
FOR ORDER ENTRY	1-800-526-5142	THIS DRAWING IS A CONTROLLED DOCUMENT FOR AMP INCORPORATED. IT IS SUBJECT TO CHANGE AND THE CONTROLLING ENGINEERING ORGANIZATION SHOULD BE CONTACTED FOR THE LATEST REVISION.	MATERIAL		FINISH	PRODUCT SPEC UL 486A	APPLICATION SPEC 114-2157
			CUSTOMER DRAWING		WEIGHT -	SIZE A3	CAGE CODE 00779
					DRAWING NO C-36160		RESTRICTED TO -
					SCALE 4:1		SHEET 1 OF 1
					REV M2		