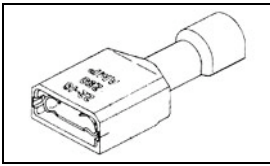


## 2-520401-2 Product Details

[Share](#) [Print](#) [Email](#)



**2-520401-2**

TE Internal Number: 2-520401-2  
✔ Active

[View 3D PDF](#)

### Ultra-Fast Receptacles & Tabs

✔ Always EU RoHS/ELV Compliant (Statement of Compliance)

#### Product Highlights:

- Terminal Type = Receptacle
- Proprietary Name = Ultra-Fast Plus
- Receptacle Style = Straight
- Mating Area Interface Dimensions = 3.18 x 0.51 mm, 4.75 x 0.51 mm
- Brass Material

[View all Features](#)

### Quick Links

- ▶ [Pricing & Availability](#)
- ▶ [Search for Tooling](#)
- ▶ [Product Feature Selector](#)
- ▶ [Contact Us About This Product](#)

[Add to My Part List](#) [Request Sample](#) [Find Similar Products](#) [Buy Product](#)

### Documentation & Additional Information

#### Product Drawings:

- [RECEPTACLE ASSY,ULTRA-FAST PLUS, .187 SERIES,22-18 AWG \(PDF, English\)](#)

#### Catalog Pages/Data Sheets:

- [Ultra-Fast and Ultra Fast Plus \(PDF, English\)](#)

#### Product Specifications:

- [Ultra-Fast Plus Fully Insulated FASTON Receptacle Te... \(PDF, English\)](#)

#### Application Specifications:

- None Available

#### Instruction Sheets:

- None Available

#### CAD Files: [\(CAD Format & Compression Information\)](#)

- [2D Drawing \(DXF, Version L\)](#)
- [3D Model \(IGES, Version L\)](#)
- [3D Model \(STEP, Version L\)](#)

[List all Documents](#)

#### Additional Information:

- [Product Line Information](#)

#### Related Products:

- [Tooling](#)

### Product Features (Please use the Product Drawing for all design activity)

#### Product Type Features:

- **Receptacle Style** = Straight
- **Insulation Support** = Insulation Support
- **Finish** = Tin

#### Dimensions:

- **Mating Area Interface Dimensions (mm [in])** = 3.18 x 0.51 [.125 x .020], 4.75 x 0.51 [.187 x .020]
- **Insulation Diameter (mm [in])** = 1.52-3.42 [.060-.135]

#### Body Features:

- **Material** = Brass
- **Wire Range (mm [AWG])** = 0.30-0.90<sup>2</sup> [22-18]
- **Fully Insulated** = Yes

#### Contact Features:

- **Terminal Type** = Receptacle

#### Industry Standards:

- **RoHS/ELV Compliance** = RoHS compliant, ELV compliant
- **Lead Free Solder Processes** = Not relevant for lead free process
- **RoHS/ELV Compliance History** = Always was RoHS compliant
- **UL Flammability Rating** = UL 94V-2

#### Packaging Features:

- **Packaging Method** = Strip

#### Other:

- **Proprietary Name** = Ultra-Fast Plus
- **Brand** = AMP

### Corporate Information

- [About TE](#)
- [Investors](#)
- [News Room](#)
- [Supplier Portal](#)
- [Careers](#)
- [Terms & Conditions](#)
- [Privacy Policy](#)

### Quick Links

- [Distributor Inventory](#)
- [Product Cross Reference](#)
- [Documents & Drawings](#)
- [Product Compliance Support Center](#)
- [Site Map](#)

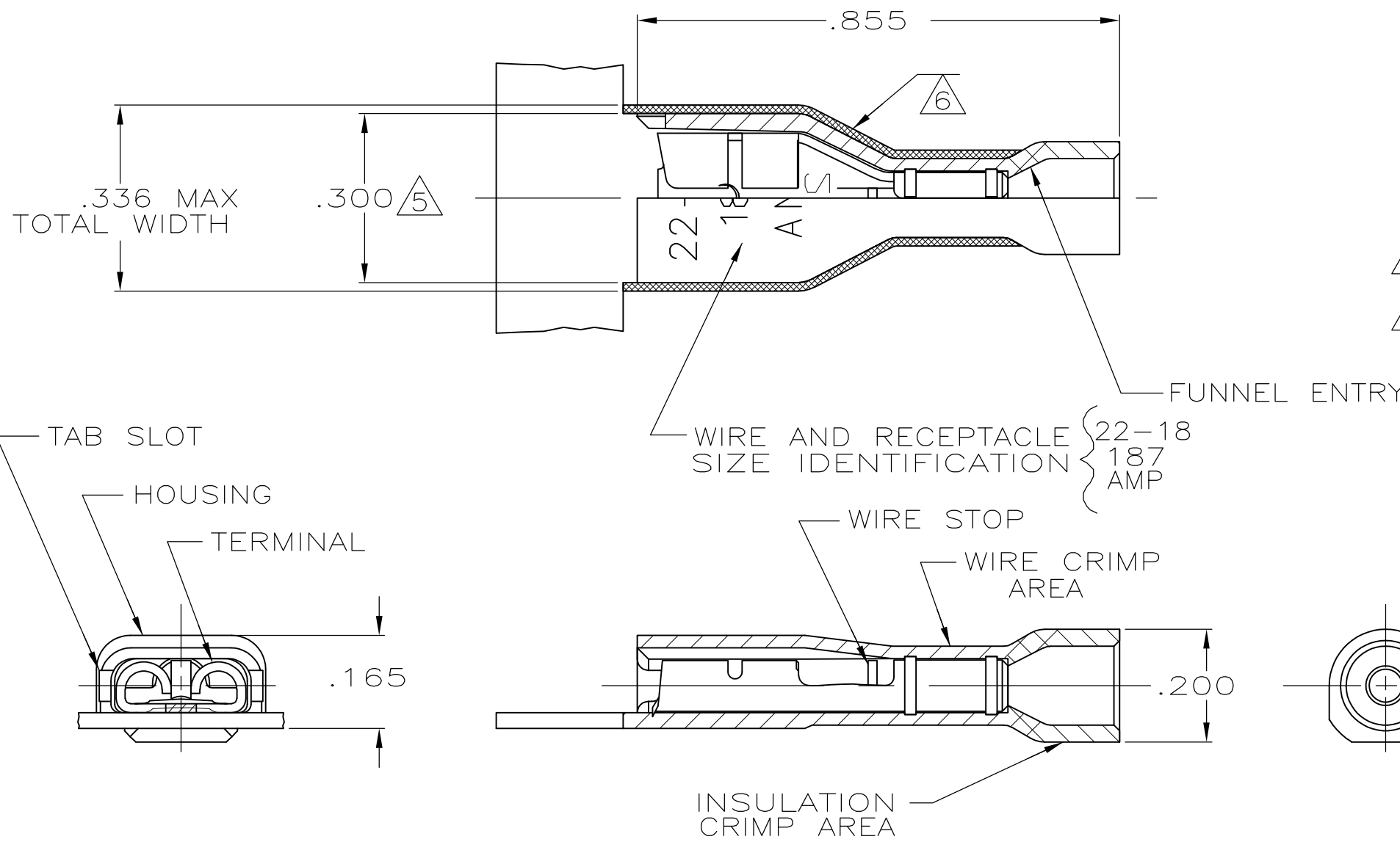
### Customer Support

- [Email or Chat With Us](#)
- [Find a Phone Number](#)
- [Knowledge Base](#)
- [Manage Your Account](#)

### Keep Me Informed

THIS DRAWING IS UNPUBLISHED. RELEASED FOR PUBLICATION  
 © COPYRIGHT - By - ALL RIGHTS RESERVED.

LOC	DIST	REVISIONS			
P	LTR	DESCRIPTION	DATE	DWN	APVD
AF	50	N	REVISED PER ECR-13-004343	30JUL13	KH KR



- 1 MATES WITH .020±.001x.187 TAB.
- 2 WIRE STRIP LENGTH .281
- 3 INSULATION SIZE .060-.135 DIA
- 4 CONTINUOUS STRIP ON REELS
- △5 DIMENSION DOES NOT INCLUDE TRIM BURR
- △6 .015 MAX CARRIER TRIM BURR PER SIDE IS ALLOWABLE IN THE SHADED AREA

HOUSING: NYLON, COLOR-RED TRANSLUCENT RECEPTACLE: BRASS TIN	2-520401-2
MATERIAL & FINISH	PART NO

THIS DRAWING IS A CONTROLLED DOCUMENT.		DWN P FORTNEY 10/31/88	TE Connectivity RECEPTACLE ASSY, ULTRA-FAST PLUS, .187 SERIES, 22-18 AWG											
DIMENSIONS: INCHES		CHK MS FEHER 11/2/88												
TOLERANCES UNLESS OTHERWISE SPECIFIED:		APVD K RANDOLPH 11/2/88												
<table border="0"> <tr><td>0 PLC</td><td>± -</td></tr> <tr><td>1 PLC</td><td>± -</td></tr> <tr><td>2 PLC</td><td>± -</td></tr> <tr><td>3 PLC</td><td>± .015</td></tr> <tr><td>4 PLC</td><td>± -</td></tr> <tr><td>ANGLES</td><td>± -</td></tr> </table>		0 PLC				± -	1 PLC	± -	2 PLC	± -	3 PLC	± .015	4 PLC	± -
0 PLC	± -													
1 PLC	± -													
2 PLC	± -													
3 PLC	± .015													
4 PLC	± -													
ANGLES	± -													
MATERIAL SEE TABLE		FINISH SEE TABLE	PRODUCT SPEC 108-2044	APPLICATION SPEC 114-2123	RESTRICTED TO									
CUSTOMER DRAWING			WEIGHT -	SIZE A3	CAGE CODE 00779									
			DRAWING NO C-520401	SCALE 4:1	SHEET 1 OF 1									
			REV N											