

Product Catalog > [Diodes](#) > [Switching Diodes](#) >

Part Number	BAV99
product family	SWITCHING DIODES
package type	SOT-23
VRM(PRIV)	75V
Ifsm	1.0A
IF(AV)	
@Vf	855mV
@If	10mA
Trr	4.0nS
IR	2.5μA
@VR	75V
Package Qty	Tape : 3K/Reel , 120K/Ctn;

This product is listed under the following categories where you may find similar products:
[Diodes](#)
[Switching Diodes](#)



Micro Commercial Components

Features

- Low Current Leakage
- Low Cost
- Small Outline Surface Mount Package
- Case Material: Molded Plastic. UL Flammability Classification Rating 94V-0 and MSL Rating 1
- Marking:A7/JG

Maximum Ratings

- Operating Temperature: -55°C to +150°C
- Storage Temperature: -55°C to +150°C
- Maximum Thermal Resistance; 357K/W Junction To Ambient

Electrical Characteristics @ 25°C Unless Otherwise Specified

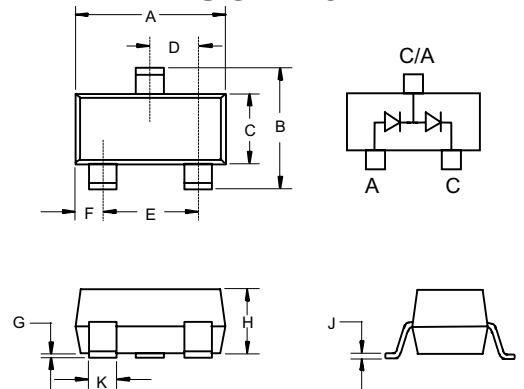
Reverse Voltage	V_R	75V	
Average Rectified Output Current	I_O	150mA	
Power Dissipation	P_{TOT}	350mW	
Peak Forward Surge Current	I_{FSM}	1.0A	$t=1s, \text{Non-Repitative}$
		2.0A	$t=1\mu s, \text{Non-Repitative}$
Maximum Instantaneous Forward Voltage	V_F^*	715mV	$I_{FM} = 1mA;$
		855mV	$I_{FM} = 10mA;$
		1000mV	$I_{FM} = 50mA;$
		1250mV	$I_{FM} = 150mA;$
Maximum DC Reverse Current At Rated DC Blocking Voltage	I_R	2.5uA	$V_R=75\text{Volts}$ $T_J = 25^\circ\text{C}$
		50uA	$V_R=75\text{Volts}$ $T_J = 150^\circ\text{C}$
		30uA	$V_R=25\text{Volts}$ $T_J = 150^\circ\text{C}$
Typical Junction Capacitance	C_J	2.0pF	Measured at 1.0MHz, $V_R=0V$
Reverse Recovery Time	T_{rr}	4nS	$I_F=10mA$ $V_R = 0V$ $R_L=500\Omega$

*Pulse test: Pulse width 300 μsec , Duty cycle 2%

BAV99

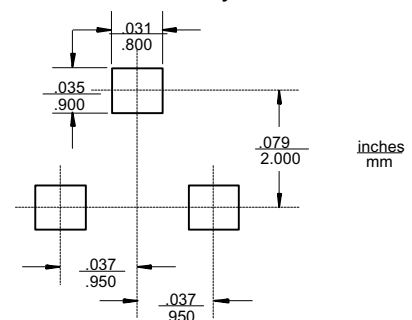
350mW 75Volt Dual Series Switching Diode

SOT-23



DIM	INCHES		MM		NOTE
	MIN	MAX	MIN	MAX	
A	.110	.120	2.80	3.04	
B	.083	.098	2.10	2.64	
C	.047	.055	1.20	1.40	
D	.035	.041	.89	1.03	
E	.070	.081	1.78	2.05	
F	.018	.024	.45	.60	
G	.0005	.0039	.013	.100	
H	.035	.044	.89	1.12	
J	.003	.007	.085	.180	
K	.015	.020	.37	.51	

Suggested Solder Pad Layout





Micro Commercial Components

Ordering Information

Device	Packing
(Part Number)-TP	Tape&Reel;3Kpcs/Reel

IMPORTANT NOTICE

Micro Commercial Components Corp. reserves the right to make changes without further notice to any product herein to make corrections, modifications, enhancements, improvements, or other changes. *Micro Commercial Components Corp.* does not assume any liability arising out of the application or use of any product described herein; neither does it convey any license under its patent rights, nor the rights of others. The user of products in such applications shall assume all risks of such use and will agree to hold *Micro Commercial Components Corp.* and all the companies whose products are represented on our website, harmless against all damages.

APPLICATIONS DISCLAIMER

Products offer by *Micro Commercial Components Corp.* are not intended for use in Medical, Aerospace or Military Applications.