

1050547-1 Product Details

[Share](#) [Print](#) [Email](#)



1050547-1

TE Internal Number:
1050547-1

Active

SMA/QMA RF Connectors

Always EU RoHS/ELV Compliant (Statement of Compliance)

Product Highlights:

- Applies To Coaxial Cable
- Connector - RF
- RF Connector Type = SMA
- Plug
- Without Snap-Lock

[View all Features](#)

Quick Links

- ▶ [Pricing & Availability](#)
- ▶ [Search for Tooling](#)
- ▶ [Product Feature Selector](#)
- ▶ [Contact Us About This Product](#)

[Add to My Part List](#)

[Request Sample](#)

[Find Similar Products](#)

[Buy Product](#)

Documentation & Additional Information

Product Drawings:

- [OSM STRAIGHT CABLE PLUG DIRECT SOLDER ATTACHMENT](#) (PDF, English)

Catalog Pages/Data Sheets:

- None Available

Product Specifications:

- None Available

Application Specifications:

- None Available

Instruction Sheets:

- [OSM Straight Cable Plug, Direct Solder Attachment 10...](#) (PDF, English)

CAD Files:

- None Available

[List all Documents](#)

Related Products:

- [Tooling](#)

Product Features (Please use the Product Drawing for all design activity)

Product Type Features:

- [Product Type](#) = Connector - RF
- RF Connector Type = SMA
- [Gender](#) = Plug
- [Retractable Collar](#) = Without
- Dielectric Material = TFE Fluorocarbon
- Coupling Nut Material = Stainless Steel
- Coupling Nut Finish = Gold over Nickel

Mechanical Attachment:

- [Panel Mount Retention](#) = Without
- [Safety Wire Holes](#) = Without

Electrical Characteristics:

- Frequency = DC - 18 GHz

Termination Features:

- [Coaxial Cable Termination Type](#) = Solder

Dimensions:

Contact Features:

- [Center Contact](#) = With
- Center Contact Material = Beryllium Copper
- Center Contact Plating = Gold over Copper

Configuration Features:

- [Coaxial Cable Type \(RG/U or Mfg.\)](#) = 405 Semi-Rigid/2.16 [.085]

Industry Standards:

- Government/Industry Qualification = No
- [RoHS/ELV Compliance](#) = RoHS compliant, ELV compliant
- [Lead Free Solder Processes](#) = Not relevant for lead free process
- RoHS/ELV Compliance History = Always was RoHS compliant

Conditions for Usage:

- [Applies To](#) = Coaxial Cable

- Length (mm [in]) = 11.10 [0.437]

Body Features:

- Snap-Lock = Without
- Body Style = Straight
- Body Material = Stainless Steel
- Body Finish = Gold
- Gasket Material = Silicone Rubber
- Retaining Ring Material = Beryllium Copper

Other:

- Brand = AMP

Corporate Information

- [About TE](#)
- [Investors](#)
- [News Room](#)
- [Supplier Portal](#)
- [Careers](#)
- [Terms & Conditions](#)
- [Privacy Policy](#)

Quick Links

- [Distributor Inventory](#)
- [Product Cross Reference](#)
- [Documents & Drawings](#)
- [Product Compliance Support Center](#)
- [Site Map](#)

Customer Support

- [Email or Chat With Us](#)
- [Find a Phone Number](#)
- [Knowledge Base](#)
- [Manage Your Account](#)

Keep Me Informed

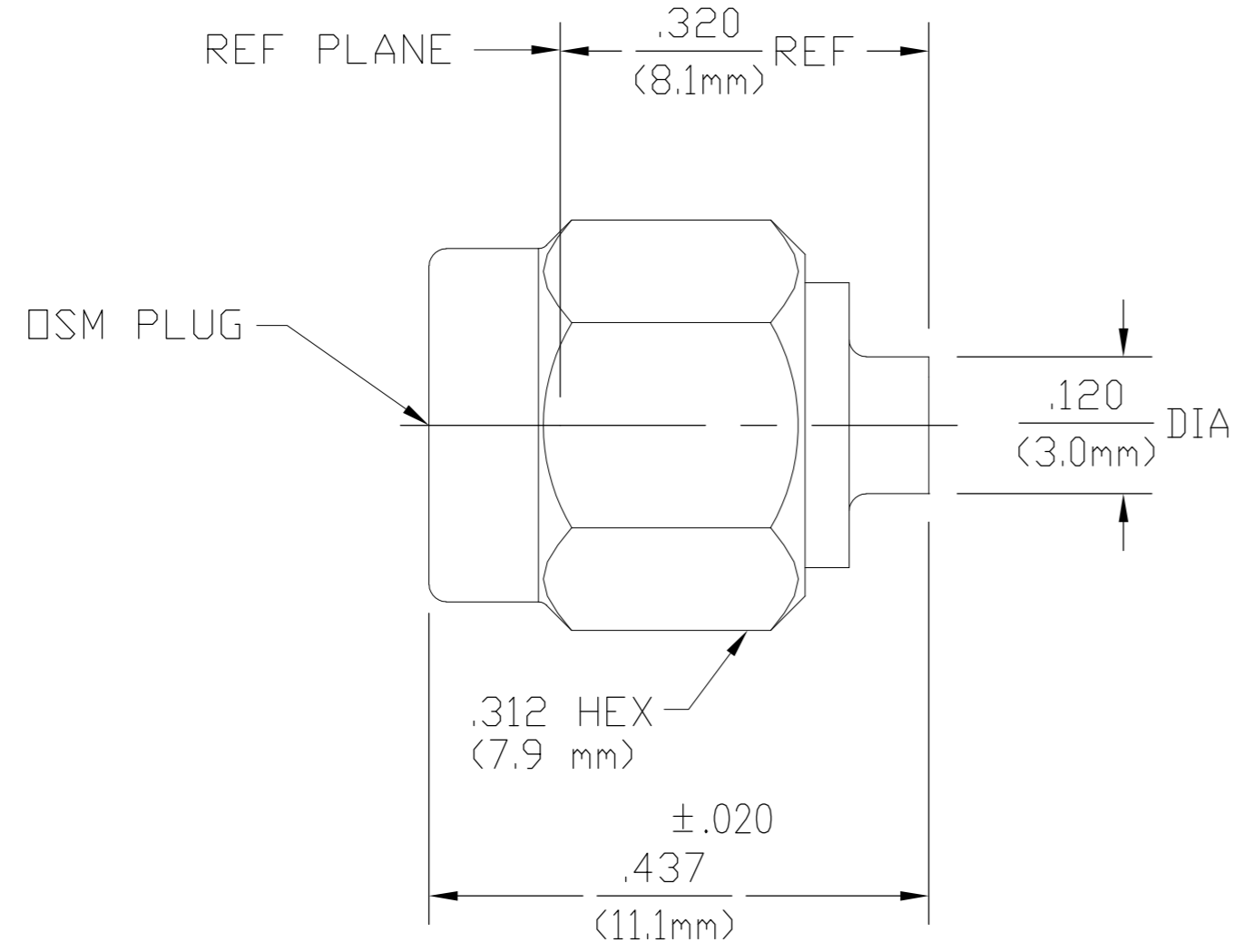


THIS DRAWING IS UNPUBLISHED. RELEASED FOR PUBLICATION
 © COPYRIGHT BY TYCO ELECTRONICS CORPORATION. ALL RIGHTS RESERVED.

DESIGNED FOR USE WITH
 .085 DIA S.R. CABLE
 CABLE ENTRY DIAMETER
 MINIMUM

CONTACT	.021
HOUSING	.089

LOC	DIST	REVISIONS			
P	LTR	DESCRIPTION	DATE	DWN	APVD
	B	REV PER ECO 07-004710	3/14/2007	DW	KW



1050547-1
 PART NUMBER

ELECTRICAL	MECHANICAL	ENVIRONMENTAL
Nominal Impedance (Ohms) 50	Interface Dimensions MIL-STD-348A	TEMPERATURE RATING -65°C TO +105°C
Frequency Range (GHz) DC to 18.0	Fig. 310.1	Vibration MIL-STD-202, Method 204, Condition D
Volt Rating (VRMS MAX) @ Sea Level 335	Recommended Mating Torque 7 to 10 In-LBs	Shock MIL-STD-202, Method 213, Condition I
VSWR 1.05 + .005f(GHz)	Mating Characteristics:	Thermal Shock MIL-STD-202, Method 107, Condition B, EXCEPT HIGH TEMP 115°C
Insertion Loss (dB MAX) .03 √f(GHz)	Insertion (MAX Lbs) N/A	Moisture Resistance MIL-STD-202, Method 106
RF Leakage (dB MIN) -[90-f(GHz)]	Withdrawal (MIN Oz) N/A	Corrosion - MIL-STD-202, Method 101, Condition B, 5% salt spray
Corona, 70,000 Ft (VRMS MIN) 250	Force to Engage and Disengage (In-Lbs MAX) 2.0	
Dielectric Withstanding Voltage (VRMS MIN) @ Sea Level 1000	Center Contact Captivation	
Contact Resistance (Milliohms MAX)	Axial (Lbs) N/A	
Center Contact 3.0	Radial (In-Oz) N/A	
Outer Contact 2.0	Cable Retention	
Cable to Housing 0.5	Axial Force (Lbs) 30	
RF High Potential @ Sea Level (VRMS MIN @ 5 MHz) 670	Torque (In-Oz) 16	
I.R.(Megohms MIN) 10,000	Weight (Grams) T.B.D.	

COMPONENT	MATERIAL	FINISH
HOUSING COUPLING NUT	STAINLESS STEEL PER ASTM-A484 AND ASTM-A582, TYPE 303	GOLD PLATE PER MIL-G-45204 OVER NICKEL PLATE PER QQ-N-290
DIELECTRIC	TFE FLUOROCARBON PER ASTM-D-1457	N/A
CENTER CONTACT	BERYLLIUM COPPER PER ASTM B 196, ALLOY C17300, CONDITION H OR BRASS PER ASTM-B-16	GOLD PLATE PER MIL-G-45204 OVER COPPER PLATE PER MIL-C-14550
RETAINING RING	BERYLLIUM COPPER PER ASTM B 194, ALLOY C17200, CONDITION H	N/A
GASKET	SILICONE RUBBER PER ZZ-R-765	N/A

THIS DRAWING IS A CONTROLLED DOCUMENT.		DWN JPD 9/1/76	Tyco Electronics Corporation Harrisburg, PA 17105-3608	
DIMENSIONS: INCHES		CHK RMF 9/9/76		
TOLERANCES UNLESS OTHERWISE SPECIFIED:		APVD RMF 9/13/76	NAME OSM STRAIGHT CABLE PLUG DIRECT SOLDER ATTACHMENT	
0 PLC ± -		PRODUCT SPEC -	SIZE A2	
1 PLC ± -		APPLICATION SPEC -	CAGE CODE 00779	
2 PLC ± -		WEIGHT -	DRAWING NO C=1050547	
3 PLC ± .005		CUSTOMER DRAWING	RESTRICTED TO -	
4 PLC ± -		SCALE 5:1	SHEET 1 of 1	
ANGLES ± 1°		REV B		