

135-3302-001	4	135-3436-001	4
135-3302-401	4	135-3436-101	3
135-3303-001	4	135-3693-101	3
135-3304-001	4	135-3701-201	5
135-3333-001	4	135-3701-211	5
135-3336-001	4	135-3701-301	5
135-3336-401	4	135-3701-311	5
135-3402-001	4	135-3711-201	5
135-3402-101	3	135-3711-202	5
135-3403-001	4	135-3711-801	6
135-3403-101	3	135-3711-802	6
135-3404-001	4	135-3801-201	6
135-3404-101	3	135-3801-811	6
135-3433-001	4		

End Launch Jack Receptacle - Surface Mount ..	6
For Flexible Cable	4
For Semi-Rigid and Flexible Cable	3
PC Mount	5, 6
Plug Dummy Load	6
Right Angle Crimp Type Plug	3
Right Angle Jack Receptacle	5
Right Angle Solder Type Plug	3
Specifications	2
Straight Crimp Type Bulkhead Jack	4
Straight Crimp Type Jack	4
Straight Crimp Type Plug	4
Straight Mount Jack Receptacle	5
Straight Plug Receptacle	6

MMCX - 50 Ohm Connectors



INCHES (MILLIMETERS)
CUSTOMER DRAWINGS AVAILABLE UPON REQUEST

Specifications

ELECTRICAL RATINGS

Impedance: 50 ohms

Frequency Range: Connectors 0-6 GHz
Dummy loads 0-1 GHz

VSWR: (f = GHz)

	Straight Cabled Connectors	Right Angle Cabled Connectors
.047 dia flexible	1.20	1.14 + .07f
RG 178, RG 316, RG 316DS	1.20	1.25
.086 semi-rigid	1.15	1.15
Uncabled receptacles, dummy loads	N/A	

Working Voltage: Connectors 170 Vrms at sea level†
Dummy loads N/A

Dielectric Withstanding Voltage: Connectors...500 Vrms at sea level†
Dummy loads N/A

Insulation Resistance: 1000 megohms min

Contact Resistance: (milliohms maximum)

	Initial	After Environmental
Center contact (straight cabled connectors and uncabled receptacles)	5.0	8.0
Center contact (right angle cabled connectors)	5.0	15.0
Outer contact (all connectors)	1.0	1.5
Braid to body	1.5	N/A

Corona Level: Connectors 190 volts min at 70,000 feet†
Dummy loads N/A

Insertion Loss: (dB max tested at 1 GHz)

Straight cabled connectors	0.1
Right angle cabled connectors	0.2
Uncabled receptacles, dummy loads	N/A

RF Leakage: (dB minimum, tested at 2.5 GHz)

Flexible cable connectors	-60 dB
.086 semi-rigid	-70 dB
Dummy loads	N/A

RF High Potential Withstanding Voltage: (400 Vrms at 4 and 7 MHz)†

Power Rating (Dummy Load): - 0.5 watt @ +25°C, derated to 0.25 watt @ +125°C

MECHANICAL RATINGS

Engagement Design: Series MMCX

Engagement/Disengagement Force: 8 lbs. max engagement
1.4 lbs. min disengagement

Contact Retention: 2.0 lbs. minimum axial force

Cable Retention:	Axial Force* (pounds)	Torque (in-oz)
Connectors for .047 flexible	3.5	N/A
Connectors for RG 178	7.0	N/A
Connectors for RG 316	20.0	N/A
Connectors for RG 316DS	25.0	N/A
Connectors for .086 semi-rigid	30.0	16

*Or cable breaking strength whichever is less.

Durability: 500 cycles minimum

ENVIRONMENTAL RATINGS (Meets or exceed the applicable paragraph of MIL-C-39012)

Operating Temperature: Connectors - 65°C to + 165°C
Dummy loads - 65°C to + 125°C

Thermal Shock: Connectors: MIL-STD-202, Method 107, Condition C, except -55°C to + 155°C (N/A dummy loads)

Corrosion: MIL-STD-202, Method 101, Condition B (N/A dummy loads)

Shock: MIL-STD-202, Method 213, Condition B (N/A dummy loads)

Vibration: MIL-STD-202, Method 204, Condition D (N/A dummy loads)

Moisture Resistance: MIL-STD-202, Method 106 (N/A dummy loads)

MATERIAL SPECIFICATIONS

Bodies: Brass per QQ-B-626, gold plated* per MIL-G-45204 .00001" min.

Contacts: Beryllium copper per QQ-C-530, gold plated* per MIL-G-45204 .00003" min.

Interface Spring: Beryllium copper per QQ-C-530, gold plated* per MIL-G-45204 .00003" min.

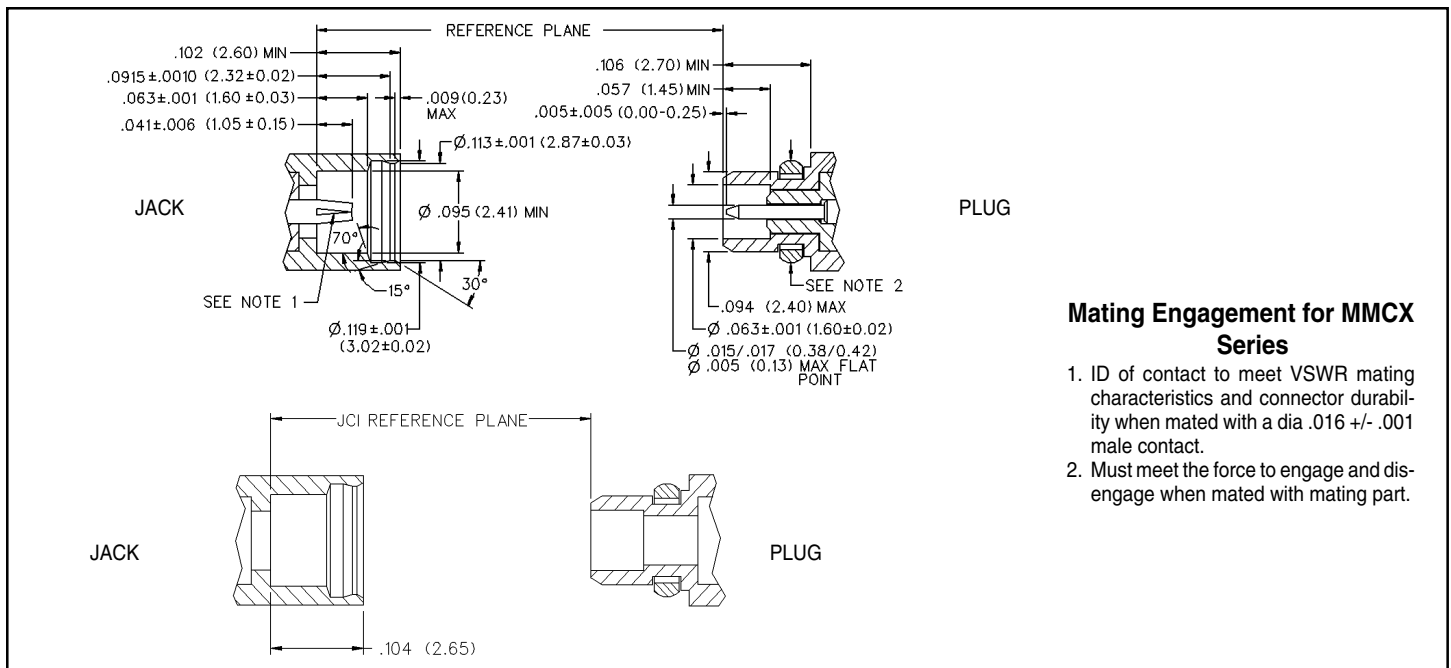
Insulators: PTFE fluorocarbon per ASTM D 1710 and ASTM D 1457

Crimp Sleeves: Copper per WW-T-799 or brass per QQ-B-626, gold plated per MIL-G-45204 .00001" min.

Mounting Hardware: Brass per QQ-B-626 or QQ-B-613, gold plated per MIL-G-45204 .00001" min.

†Avoid user injury due to misapplication. See safety advisory definitions on page 2.

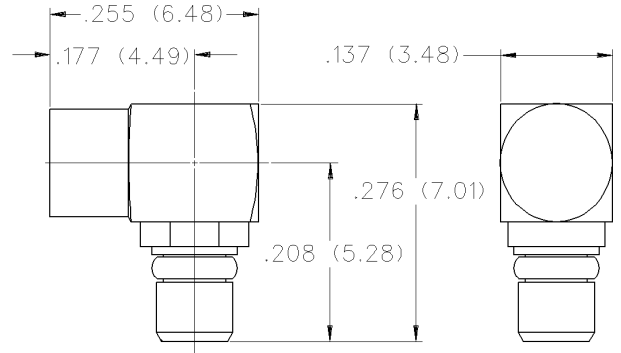
*All gold plated parts include a .00005" min nickel barrier layer.



Mating Engagement for MMCX Series

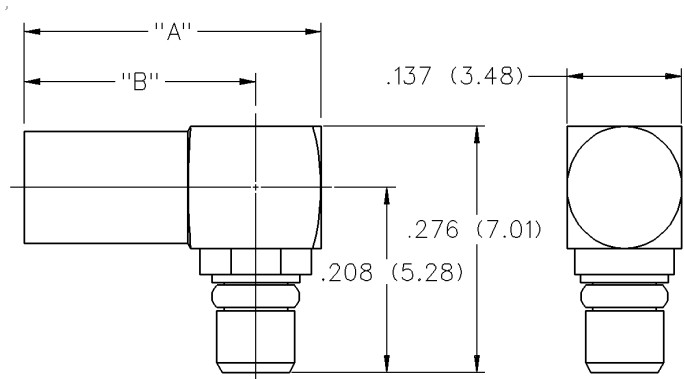
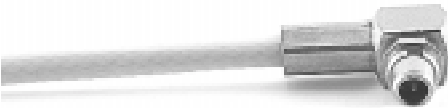
1. ID of contact to meet VSWR mating characteristics and connector durability when mated with a dia .016 +/- .001 male contact.
2. Must meet the force to engage and disengage when mated with mating part.

Right Angle Solder Type Plug - Captivated Contact



CABLE TYPE	PART NUMBER
.086 Semi-rigid	135-3693-101

Right Angle Crimp Type Plug - Captivated Contact



CABLE TYPE	PART NUMBER	"A"	"B"	TERMINATION
.047" Diameter Flexible Huber K01152-07 Axon P512479A Astrolab 32018 DS	135-3436-101	.354 (8.99)	.276 (6.98)	Crimp Insert
RG 178/U, 196	135-3402-101	.354 (8.99)	.276 (6.98)	Crimp Insert
RG 316/U, 188, 187 179, 161, 174	135-3403-101	.412 (10.46)	.334(8.48)	Crimp Sleeve
RG 316 DS, RG 188DS	135-3404-101	.412 (10.46)	.334 8.48)	Crimp Sleeve

MMCX - 50 Ohm Connectors

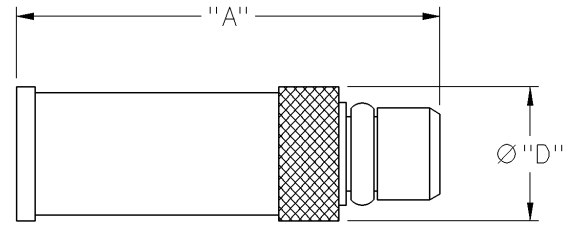
For Flexible Cable



INCHES (MILLIMETERS)
CUSTOMER DRAWINGS AVAILABLE UPON REQUEST

Straight Crimp Type Plug

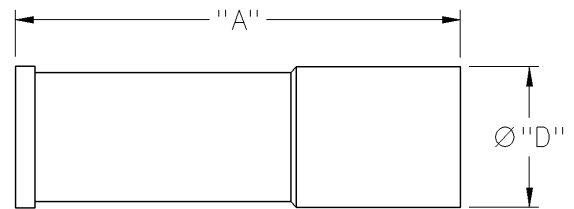
Solder or Crimp Captivated Contact



CABLE TYPE	PART NUMBER	"A"	"D"	TERMINATION
.047" Diameter Flexible Huber K01152-07 Axon P512479A Astrolab 32018 DS	135-3436-001	.462 (11.73)	.137 (3.48)	Crimp Insert
RG 178/U, 196	135-3402-001	.462 (11.73)	.137 (3.48)	Crimp Insert
RG 316/U, 188, 161, 174	135-3403-001	.509 (12.93)	.173 (4.39)	Crimp Sleeve
RG 316 DS, 188 DS, 187 DS	135-3404-001	.509 (12.93)	.173 (4.39)	Crimp Sleeve
RG 179/U, 187	135-3433-001	.509 (12.93)	.173 (4.39)	Crimp Sleeve

Straight Crimp Type Jack

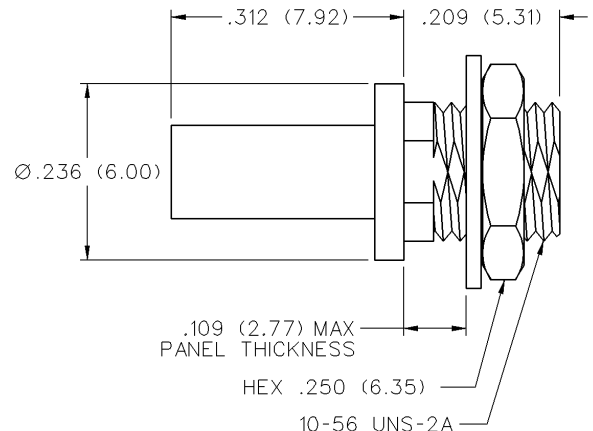
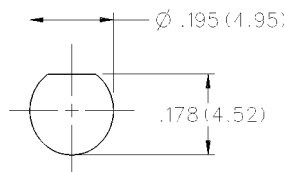
Solder or Crimp Captivated Contact



CABLE TYPE	PART NUMBER	"A"	"D"	TERMINATION
.047" Diameter Flexible Huber K01152-07 Axon P512479A Astrolab 32018 DS	135-3336-001	.462 (11.73)	.137 (3.48)	Crimp Insert
RG 178/U, 196	135-3302-001	.462 (11.73)	.137 (3.48)	Crimp Insert
RG 316/U, 188, 161, 174	135-3303-001	.545 (13.84)	.173 (4.39)	Crimp Sleeve
RG 316 DS, 188 DS, 187 DS	135-3304-001	.545 (13.84)	.173 (4.39)	Crimp Sleeve
RG 179/U, 187	135-3333-001	.545 (13.84)	.173 (4.39)	Crimp Sleeve

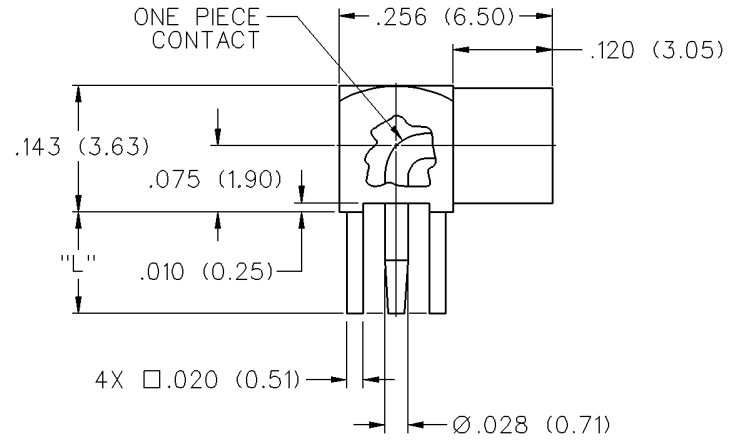
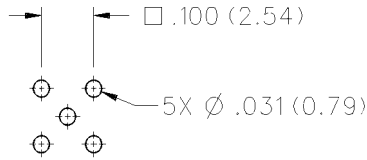
Straight Crimp Type Bulkhead Jack

Solder or Crimp Captivated Contact



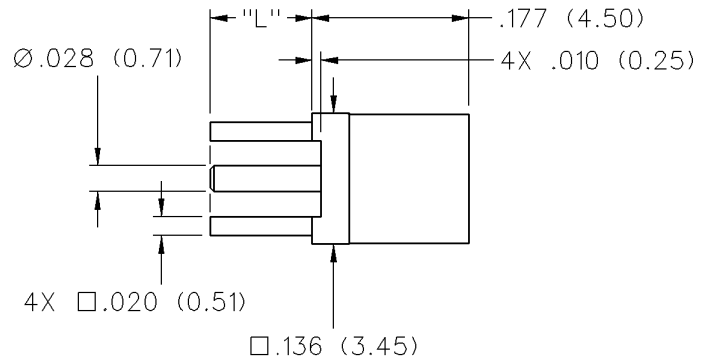
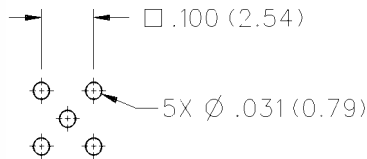
CABLE TYPE	PART NUMBER	TERMINATION
.047" Diameter Flexible Huber K01152-07 Axon P512479A Astrolab 32018 DS	135-3336-401	Crimp Insert
RG 178/U, 196	135-3302-401	Crimp Insert

Right Angle Jack Receptacle



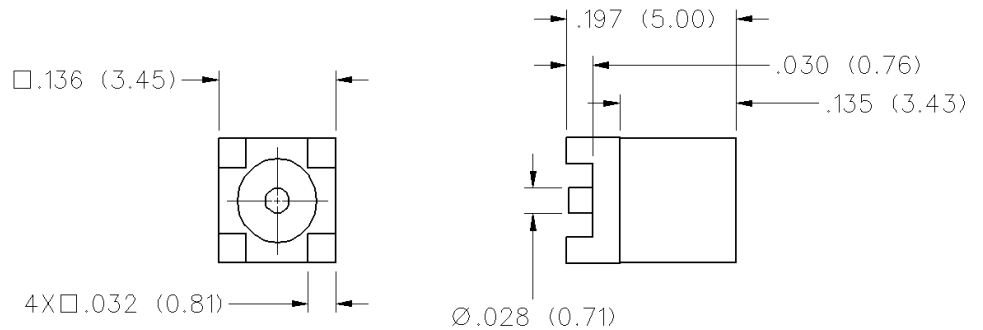
"L"	PART NUMBER
.115 (2.92)	135-3701-301
.068 (1.73)	135-3701-311

Straight Mount Jack Receptacle

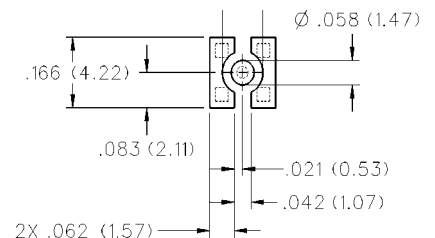


"L"	PART NUMBER
.115 (2.92)	135-3701-201
.068 (1.73)	135-3701-211

Straight Jack Receptacle - Surface Mount



PART NUMBER	PACKAGING
135-3711-201	Stock
135-3711-202	Tape and Reel 1500 pcs/reel



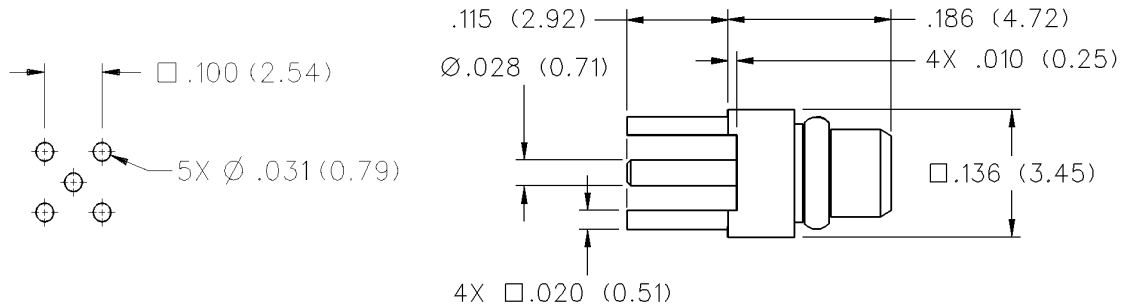
MMCX - 50 Ohm Connectors

PC Mount and Termination



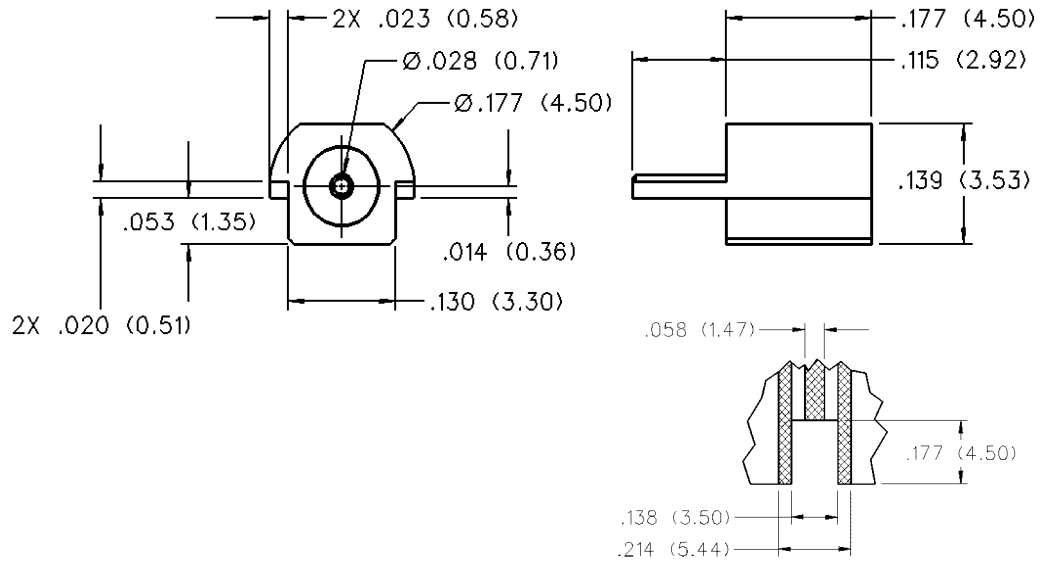
INCHES (MILLIMETERS)
CUSTOMER DRAWINGS AVAILABLE UPON REQUEST

Straight Plug Receptacle



PART NUMBER
135-3801-201

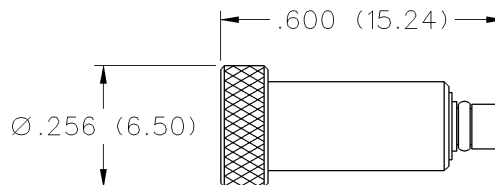
End Launch Jack Receptacle - Surface Mount



PART NUMBER	PACKAGING
135-3711-801	Stock
135-3711-802	Tape and Reel 1000pcs/reel

Recommended Land Pattern and Board Notch figure 14 page 175.

Plug Dummy Load



FREQ. RANGE	PART NUMBER	PLATING	RESISTANCE
0-1 GHZ	135-3801-811	Gold	50 Ohms