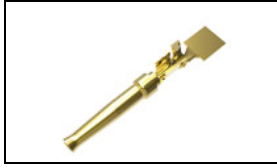


66504-3 Product Details



66504-3

TE Internal Number: 66504-3



Standard Cable Connectors

 Always EU RoHS/ELV Compliant (Statement of Compliance)

Product Highlights:

- Contact
- Product Series = HDP-20 (Crimp Snap)
- Contact Type = Socket
- Phosphor Bronze Contact Base Material
- Crimp Termination Method to Wire/Cable

Documentation & Additional Information

Product Drawings:

- [SOCKET CONTACT, SIZE 20 DF, 20-24 AWG, AMPLIMITE](#) (PDF, English)

Catalog Pages/Data Sheets:

- [Signal Contacts](#) (PDF, English)
- [AMP Circular Connectors for Commercial Signal & Powe...](#) (PDF, English)
- [AMPLIMITE Subminiature D Connectors - Cable Connectors](#) (PDF, English)
- [HTS Heavy Duty Connectors catalogue](#) (PDF, English)

Product Specifications:

- [AMPLIMITE HDP-20 Subminiature D Connector With F Cri...](#) (PDF, English)

Application Specifications:

- [HD-20 Precision Formed Contacts](#) (PDF, English)
- [AMPLIMITE HDP-20 and Economy Crimp Snap Subminiature...](#) (PDF, English)

Instruction Sheets:

- [AMPLIMITE High Density \(HDP-20\) Connectors with Crim...](#) (PDF, English)
- [PRO-CRIMPER III Hand Crimping Tool Assembly 58448-2 ...](#) (PDF, English)
- [Insertion/Extraction Tool 91285-1 and Replacement Ti...](#) (PDF, English)

CAD Files: (CAD Format & Compression Information)

- [2D Drawing](#) (DXF, Version CN)
- [3D Model](#) (IGES, Version CN)
- [3D Model](#) (STEP, Version CN)

Additional Information:

- [Product Line Information](#)

Related Products:

- [Tooling](#)

Product Features (Please use the Product Drawing for all design activity)

Product Type Features:

- Product Type = Contact
- Product Series = HDP-20 (Crimp Snap)
- Termination Method to Wire/Cable = Crimp
- Wire Insulation Diameter (mm [in]) = 1.27 - 1.52 [0.050 - 0.060]
- Insulation Support = Yes
- Grade = Standard

Mechanical Attachment:

- Contact Retention in Housing = Crimp Snap-In

Body Features:

- Wire Range (mm² [AWG]) = 0.2 - 0.6 [24-20]
- Used With = AMPLIMITE HDP-20, CPC Connectors

Contact Features:

- Contact Type = Socket
- Contact Base Material = Phosphor Bronze
- Contact Plating, Mating Area, Material = Gold Flash over Palladium Nickel or Gold (30) over Nickel
- Contact Size = 20

Industry Standards:

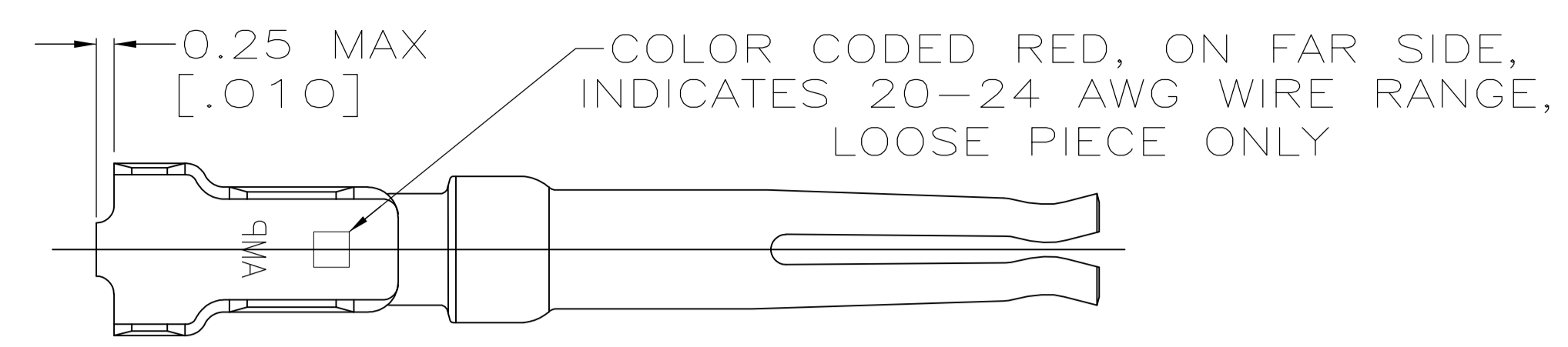
- RoHS/ELV Compliance = RoHS compliant, ELV compliant
- Lead Free Solder Processes = Not relevant for lead free process
- RoHS/ELV Compliance History = Always was RoHS compliant

Packaging Features:

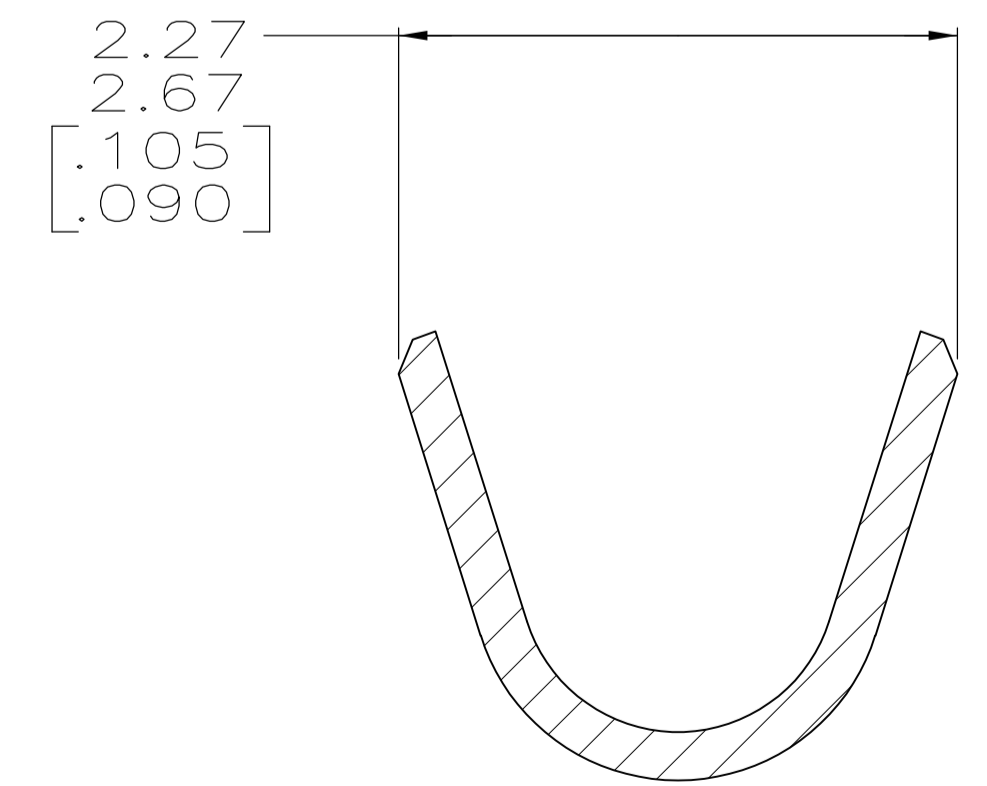
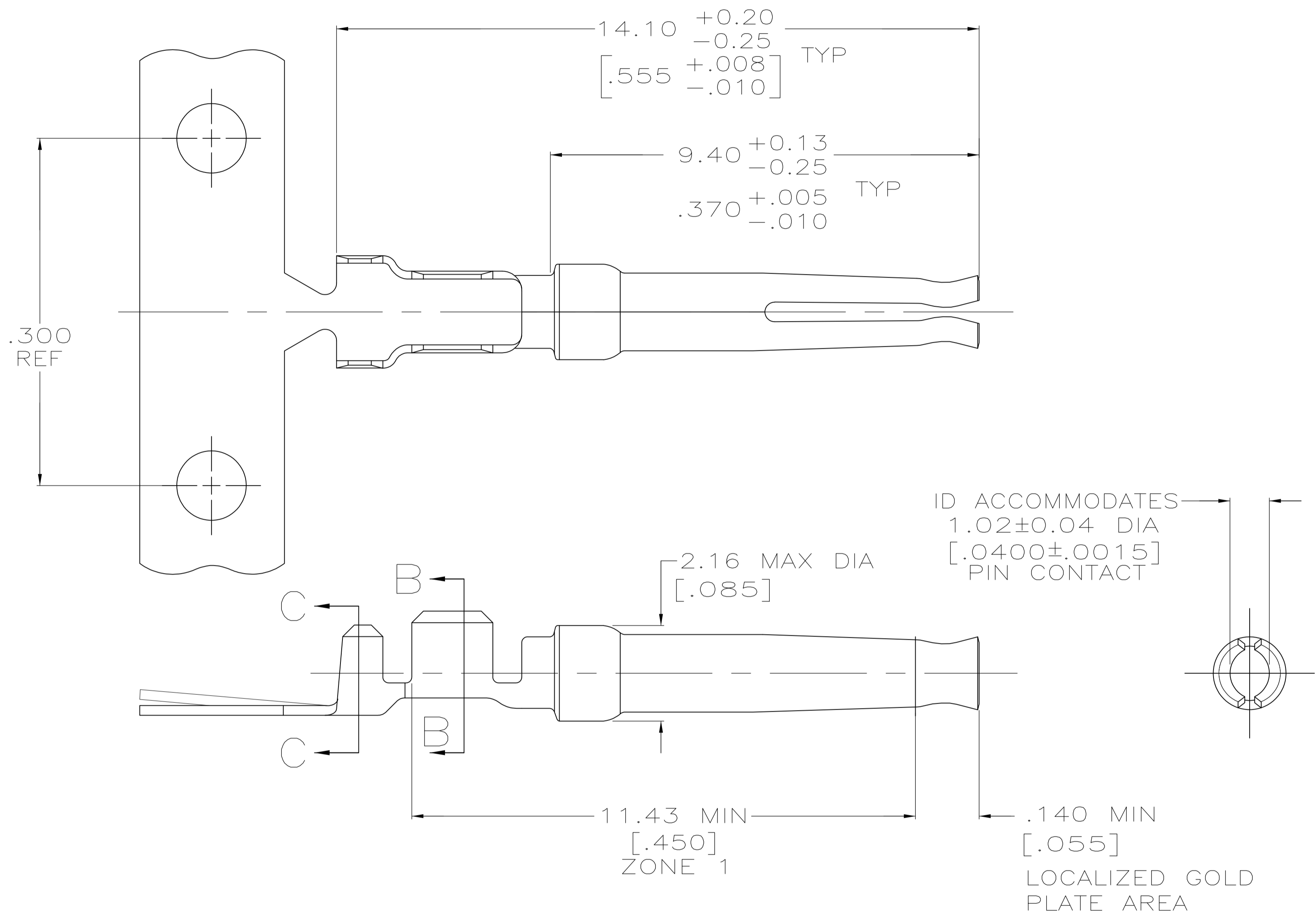
- Packaging Method = Strip

Other:

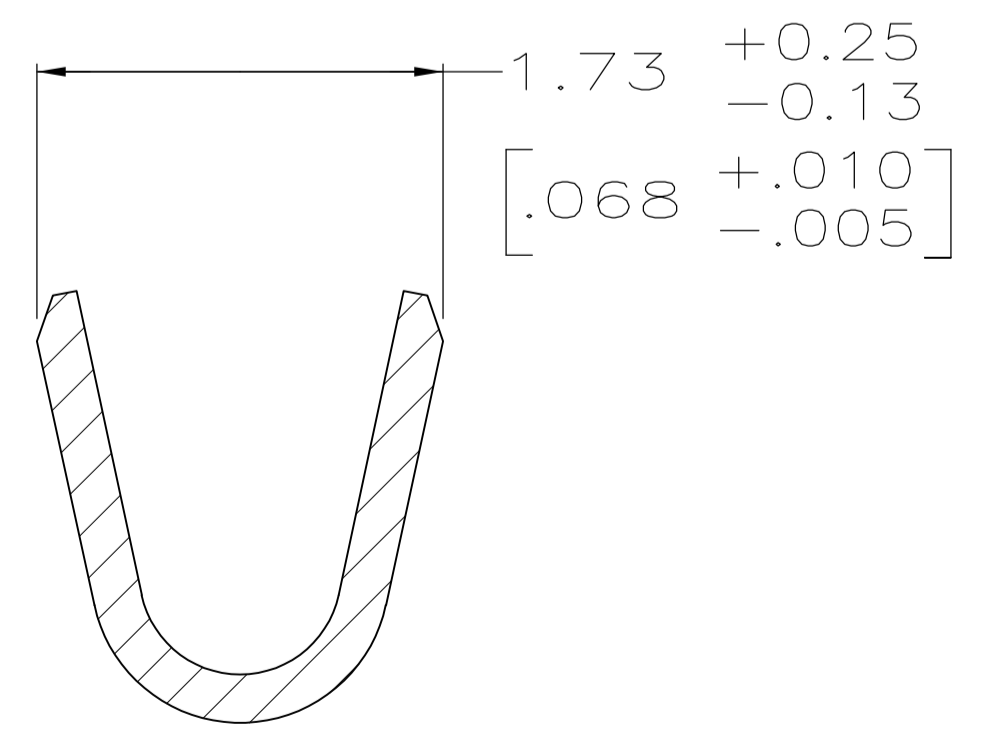
- Brand = AMP



DETAIL Z
SCALE 8:1



SECTION C-C
SCALE 20:1
INSULATION BARREL



SECTION B-B
SCALE 20:1
WIRE BARREL

- 1 FOR MINI-APPLICATOR AND STRIPPER CRIMPER.
- 2 FOR HAND TOOL USE ONLY.
- 3 FOR STANDARD APPLICATOR PART #566171 ONLY.
- 4. WIRE RANGE OF 20-24 AWG. INSULATION RANGE OF 1.27/1.52 [.050-.060].
- 5. GOLD PLATING MAY NOT APPEAR ON CARRIER STRIP. NICKEL UNDERPLATE COVERS ENTIRE CONTACT.
- 6 GOLD PLATING PER MIL-G-45204, NICKEL PLATING PER QQ-N-290, TIN PLATING PER MIL-T-10727, COPPER PLATING PER MIL-C-14550.
- 7 PLATED WITH 1.27µm [.000050] GOLD ON INSIDE OF LOCALIZED GOLD PLATE AREA, 1.27µm [.000050] GOLD ON ZONE 1, ALL OVER 1.27µm [.000050] NICKEL UNDERPLATE.
- 8 PLATED WITH 0.76µm [.000030] GOLD ON INSIDE OF LOCALIZED GOLD PLATE AREA, GOLD FLASH ON ZONE 1, ALL OVER 1.27µm [.000050] NICKEL UNDERPLATE.
-OR-
GOLD FLASH OVER PALLADIUM-NICKEL 0.76µm [.000030] TOTAL ON INSIDE OF LOCALIZED GOLD PLATE AREA, GOLD FLASH ON ZONE 1, ALL OVER 1.27µm [.000050] NICKEL UNDERPLATE.
- 9 GOLD FLASH ON INSIDE OF LOCALIZED GOLD PLATE AREA, GOLD FLASH ON ZONE 1, ALL OVER 0.76µm [.000030] NICKEL UNDERPLATE.
- 10 PLATED WITH 2.54µm - 5.08µm [.000100 - .000200] TIN.
- 11 PLATED WITH 0.38µm [.000015] GOLD IN LOCALIZED GOLD PLATE AREA, GOLD FLASH ON REMAINDER, OVER 1.27µm [.000050] NICKEL.
- 12 PLATED WITH GOLD FLASH IN LOCALIZED GOLD PLATE AREA, 2.54µm [.000100] TIN PLATED WIRE BARRELS, OVER 0.76µm [.000030] NICKEL.
- 13 PLATED WITH 0.76µm [.000030] GOLD IN LOCALIZED GOLD PLATE AREA, TIN PLATED WIRE BARRELS, OVER 1.27µm [.000050] NICKEL.
- 14 AMP ITALY PART NUMBER ONLY.
- 15 PLATED WITH 1.27µm [.000050] GOLD ON INSIDE OF LOCALIZED GOLD PLATE AREA, GOLD FLASH ON ZONE 1, ALL OVER 1.27µm [.000050] NICKEL UNDERPLATE.
- 16 PLATED WITH GOLD FLASH IN LOCALIZED GOLD PLATE AREA, 0.76µm [.000030] MIN TIN PLATED WIRE BARRELS, OVER 0.76µm [.000030] MIN NICKEL.

| OBSOLETE | SPECIAL | 13 | 1 | - | 7-66504-4 |
|----------------|------------|-----|-------------|--------------|-----------|
| OBSOLETE | SPECIAL | 13 | 1 | - | 7-66504-3 |
| OBSOLETE | STANDARD | 16 | 1 | - | 7-66504-2 |
| OBSOLETE | STANDARD | 13 | 3 | - | 7-66504-1 |
| | SMALL PACK | 8 | 2 | SEE DETAIL Z | 7-66504-0 |
| | STANDARD | 15 | 1 | - | 6-66504-8 |
| OBSOLETE | STANDARD | 13 | 2 | SEE DETAIL Z | 6-66504-0 |
| OBSOLETE | STANDARD | 13 | 1 | - | 5-66504-9 |
| OBSOLETE | STANDARD | 12 | 2 | SEE DETAIL Z | 5-66504-7 |
| OBSOLETE | STANDARD | 12 | 1 | - | 5-66504-6 |
| OBSOLETE | STANDARD | 10 | 1 | - | 1-66504-4 |
| | STANDARD | 8 | 3 | - | 1-66504-2 |
| | STANDARD | 9 | 2 | SEE DETAIL Z | 1-66504-0 |
| | STANDARD | 8 | 2 | SEE DETAIL Z | 66504-9 |
| | STANDARD | 7 | 2 | SEE DETAIL Z | 66504-8 |
| | STANDARD | 9 | 1 | - | 66504-4 |
| | STANDARD | 8 | 1 | - | 66504-3 |
| | STANDARD | 7 | 1 | - | 66504-2 |
| PACKAGING TYPE | FINISH | USE | LOOSE PIECE | PART NUMBER | |

THIS DRAWING IS A CONTROLLED DOCUMENT. DIMENSIONING AND TOLERANCING PER ASME Y14.5M-2009. TOLERANCES UNLESS OTHERWISE SPECIFIED: 0 PLC ± -, 1 PLC ± -, 2 PLC ± 0.13 [.005], 3 PLC ± -, 4 PLC ± -. ANGLES ± -.

MATERIAL: PHOSPHOR BRONZE PER QQ-B-750. FINISH: SEE TABLE.

APPROVED: J. ASSINI. DATE: 3-28-90. NAME: SOCKET CONTACT, SIZE 20 DF, 20-24 AWG, AMPLIMITE.

STE TE Connectivity

SIZE: A1. CASE CODE: 00779. DRAWING NO: 66504. SHEET: 1 OF 1. REV: AP.