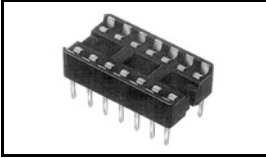


## 1825373-2 Product Details

[Share](#) [Print](#) [Email](#)



**1825373-2**

TE Internal Number:  
1825373-2

 Active

### DIP Sockets

 Always EU RoHS/ELV Compliant (Statement of Compliance)

### Product Highlights:

- Socket Style = Standard
- Through Hole Contact Termination Type
- 2.54 mm Centerline
- Row-to-Row Spacing = 7.87 mm
- 8 Positions

[View all Features](#)

### Quick Links

- ▶ [Pricing & Availability](#)
- ▶ [Search for Tooling](#)
- ▶ [Product Feature Selector](#)
- ▶ [Contact Us About This Product](#)

[Add to My Part List](#)

[Request Sample](#)

[Find Similar Products](#)

[Buy Product](#)

## Documentation & Additional Information

### Product Drawings:

- [DIP SOCKET ASSY, CLOSED, DIPLOMATE, RETENTIVE LEAD, ... \(PDF, English\)](#)

### Catalog Pages/Data Sheets:

- None Available

### Product Specifications:

- None Available

### Application Specifications:

- [DIPLOMATE Dual Leaf \(DL\) Low-Profile DIP Sockets \(PDF, English\)](#)

### Instruction Sheets:

- None Available

### CAD Files:

- None Available

[List all Documents](#)

### Additional Information:

- [Product Line Information](#)

### Related Products:

- [Tooling](#)

## Product Features (Please use the Product Drawing for all design activity)

### Product Type Features:

- [Socket Style](#) = Standard
- [Profile](#) = Standard
- [Frame Style](#) = Closed
- [Leg Style](#) = Retention
- [Color](#) = Black
- [Qty. Tubes/Box](#) = 100
- [Product Series](#) = Standard

### Electrical Characteristics:

- [Insulation Resistance \(MΩ\)](#) = 10,000
- [Contact Resistance \(mΩ\)](#) = 30

### Termination Features:

- [Contact Termination Type](#) = Through Hole
- [Termination Post Length \(mm \[in\]\)](#) = 3.05 [0.120]
- [Solder Tail Contact Plating](#) = Tin

### Dimensions:

- [Height Above PC Board \(mm \[in\]\)](#) = 5.33 [0.210]

### Housing Features:

- [Centerline \(mm \[in\]\)](#) = 2.54 [0.100]
- [Housing Material](#) = Thermoplastic - GF
- [UL Flammability Rating](#) = UL 94V-0

### Configuration Features:

- [Number of Positions](#) = 8

### Industry Standards:

- [RoHS/ELV Compliance](#) = RoHS compliant, ELV compliant
- [Lead Free Solder Processes](#) = Wave solder capable to 240°C, Wave solder capable to 260°C, Wave solder capable to 265°C
- [RoHS/ELV Compliance History](#) = Always was RoHS compliant

### Conditions for Usage:

- [Temperature Range \(°C\)](#) = 125

**Body Features:**

- [Row-to-Row Spacing \(mm \[in\]\)](#) = 7.87 [0.310]
- [Mount Style](#) = Vertical

**Contact Features:**

- [Contact Base Material](#) = Phosphor Bronze
- [Contact Plating, Mating Area, Material](#) = Gold (15)
- [Contact Style](#) = Stamped + Formed
- [Mating Contact Type](#) = Dual Leaf

**Operation/Application:**

- [Application](#) = Production

**Packaging Features:**

- [Packaging Method](#) = Tube
- [Qty./Tube](#) = 52

**Other:**

- [Brand](#) = TE Connectivity
- [Proprietary Name](#) = DIPLOMATE DL
- [Comment](#) = ONLY sockets with straight solder tails are recommended for automatic insertion.

**Corporate Information**

[About TE](#)  
[Investors](#)  
[News Room](#)  
[Supplier Portal](#)  
[Careers](#)  
[Terms & Conditions](#)  
[Privacy Policy](#)

**Quick Links**

[Distributor Inventory](#)  
[Product Cross Reference](#)  
[Documents & Drawings](#)  
[Product Compliance Support Center](#)  
[Site Map](#)

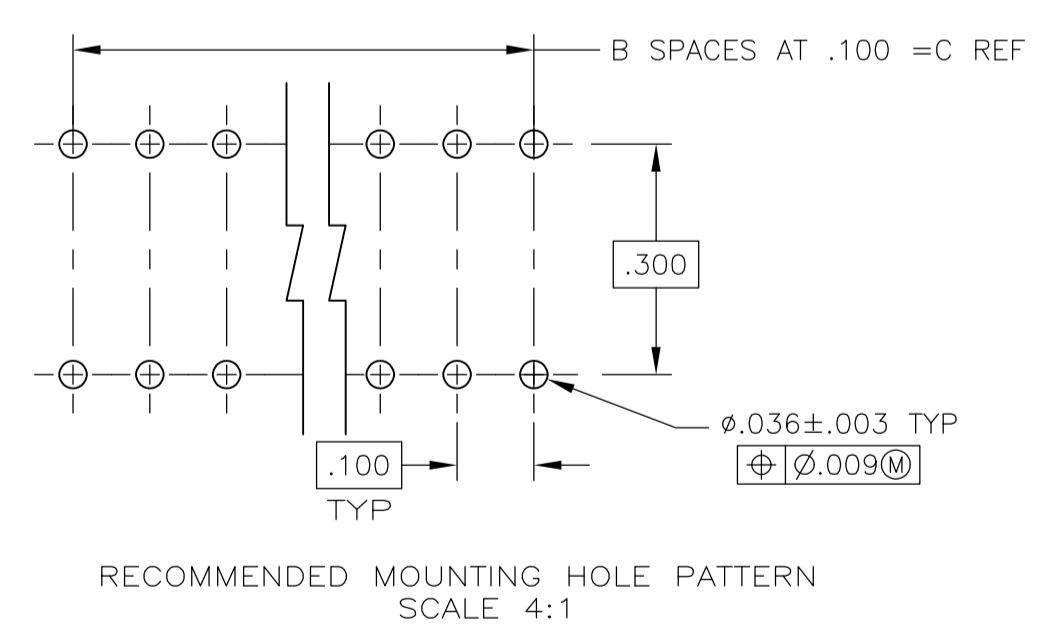
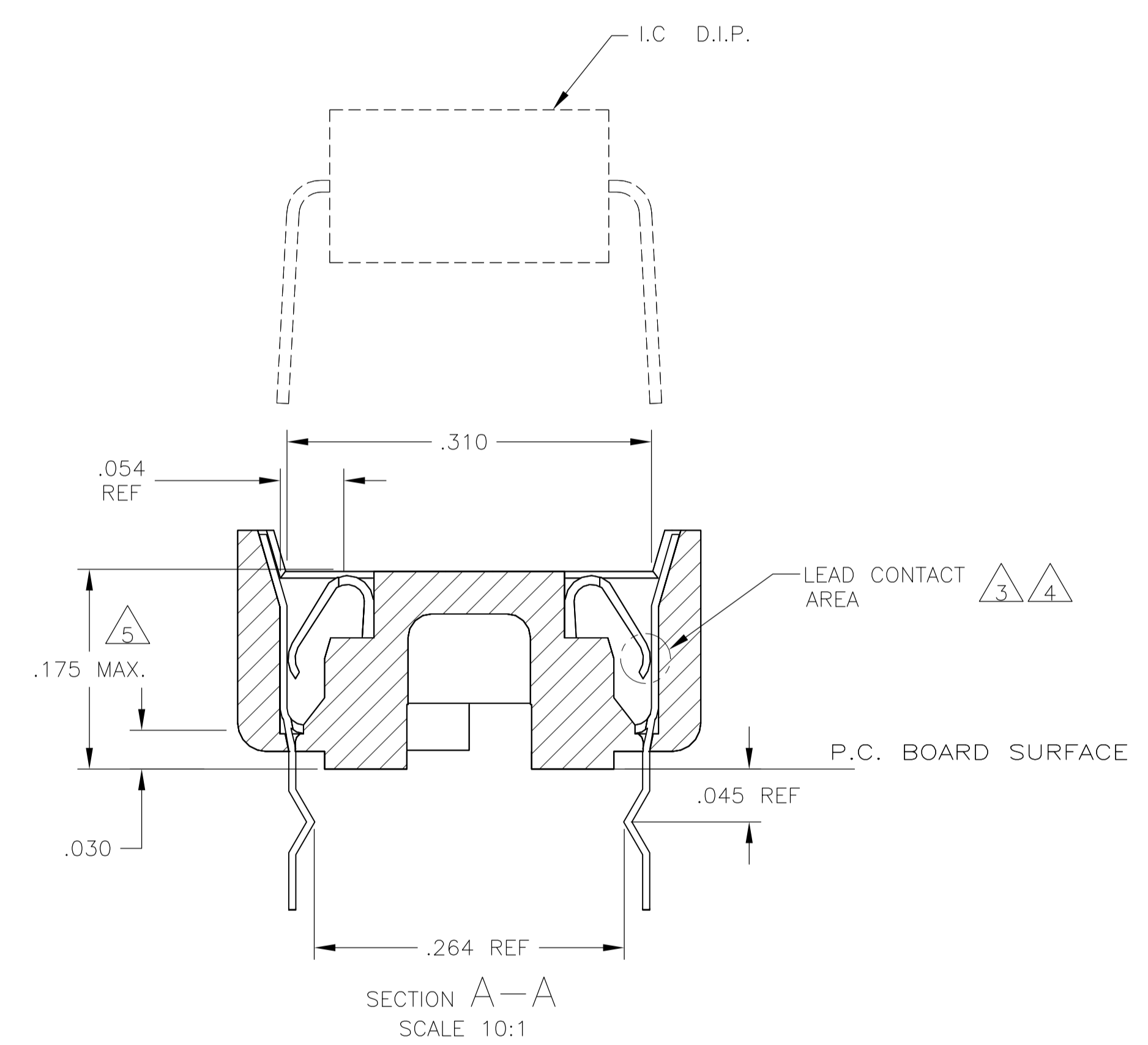
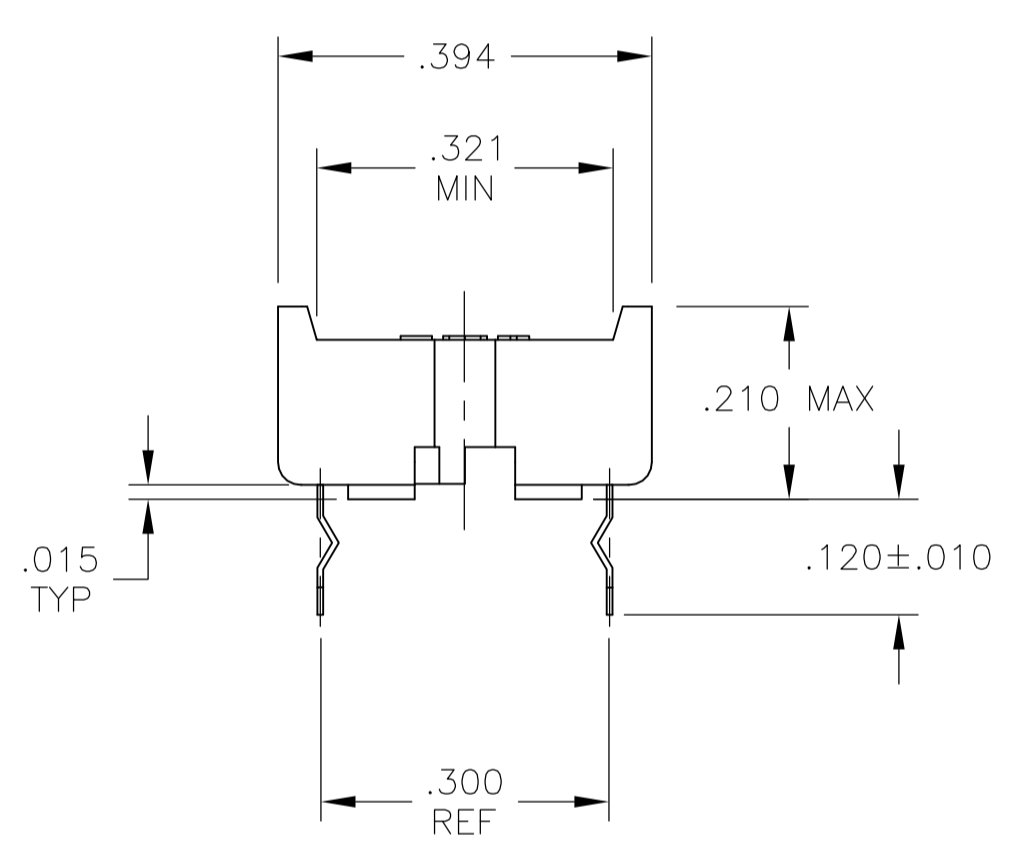
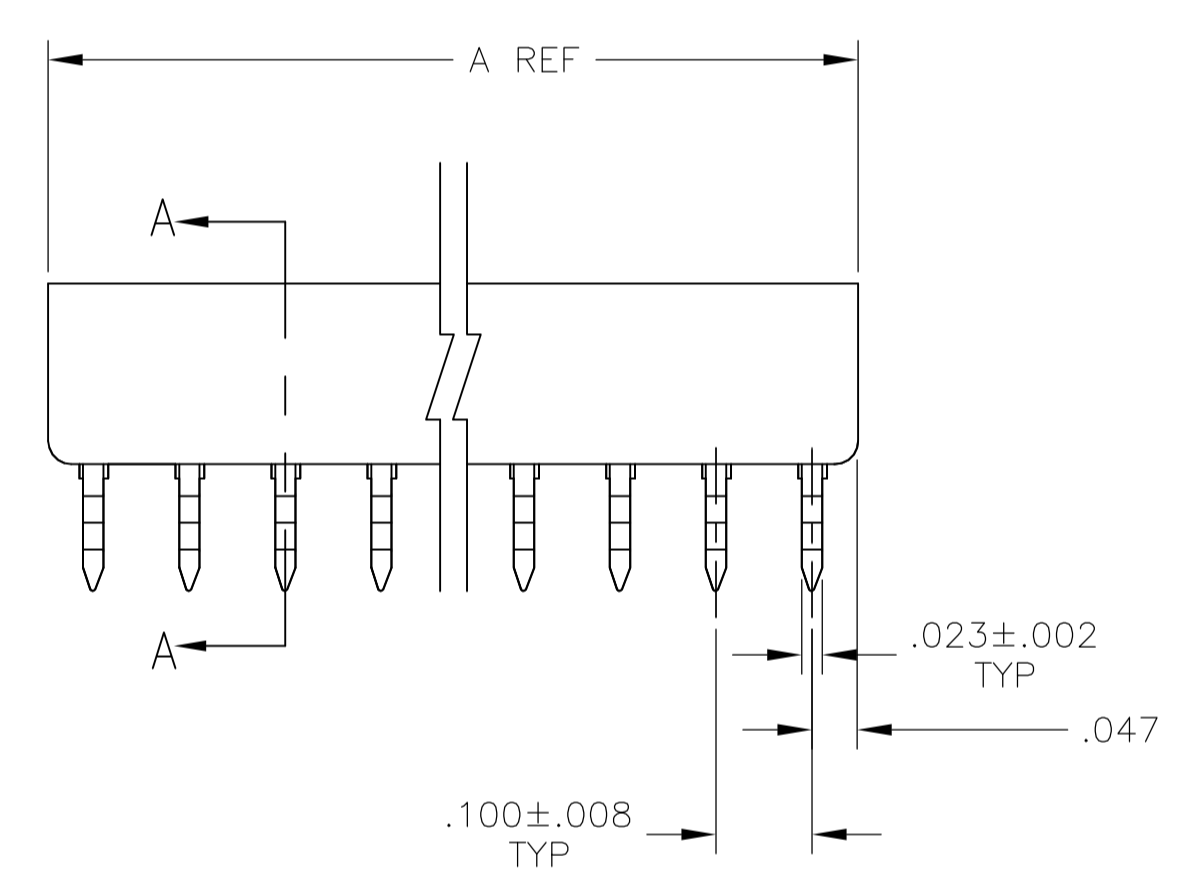
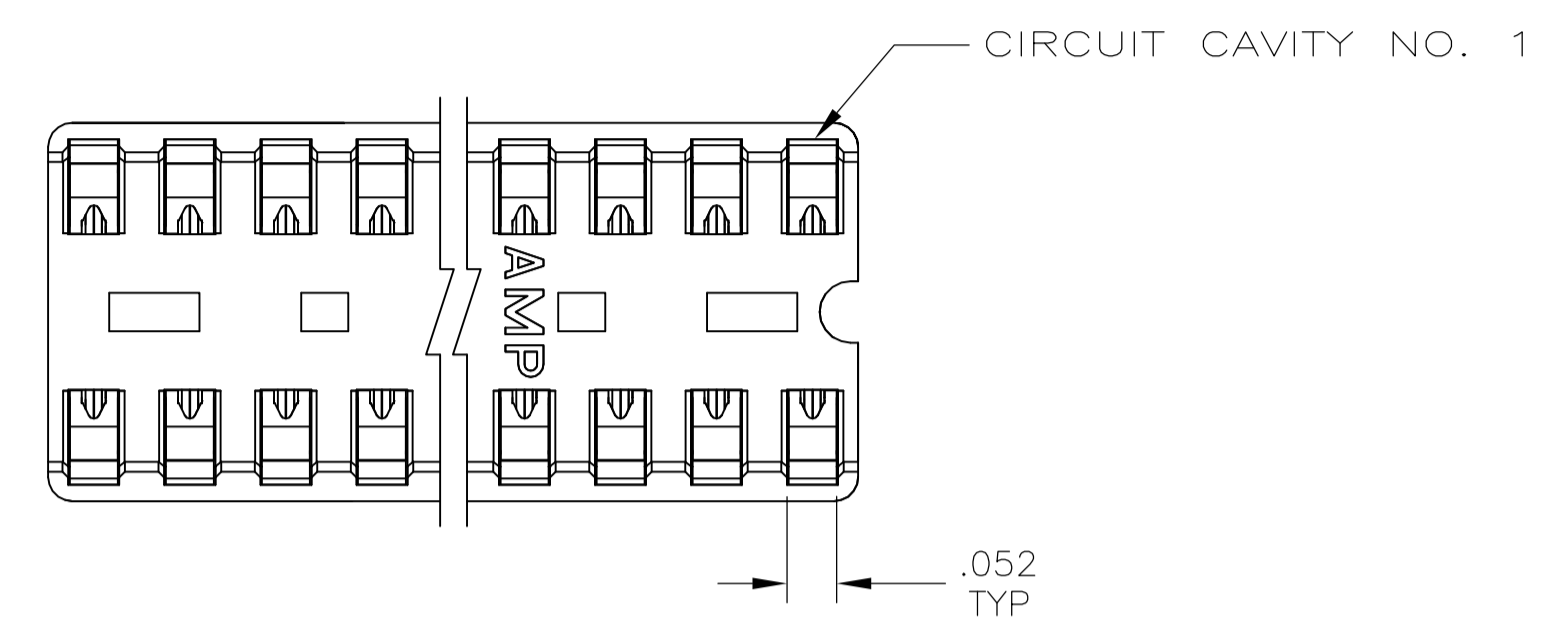
**Customer Support**

[Email or Chat With Us](#)  
[Find a Phone Number](#)  
[Knowledge Base](#)  
[Manage Your Account](#)

**Keep Me Informed**

LOC	DIST	REVISIONS				
AD	00	REV	DESCRIPTION	DATE	DWN	APVD
		A	ECO-05-013690	29DEC2005	RB	DR
		A1	REVISED PER ECO-09-024927	07NOV09	KK	AEG

1. RECEPTACLE ACCEPTS A .008-.014 THICK I.C. LEAD.
2. TUBE LOADED FOR AUTOMATIC INSERTION.
3. BECU CONTACT-PLATED WITH TWO .000030 MIN THK. GOLD STRIPES IN CONTACT AREA WITH TIN ON CONTACT LEGS, BALANCE OF CONTACT NICKEL PLATED.
4. PHOS. BRONZE CONTACT- PLATED WITH TWO .000015 MIN THK. GOLD STRIPES IN CONTACT AREA WITH TIN ON CONTACT LEGS, BALANCE OF CONTACT NICKEL PLATED.
5. MAXIMUM DIMENSION FOR I.C. SEATING PLANE.
6. HOUSING MATERIAL-GLASS FILLED THERMOPLASTIC, BLACK, 94V-0
7. OBSOLETE PARTS: OBSOLETE CIS STREAMLINING PER D.RENAUD/D.SINISI



	CONTACT & FINISH	DIM C	B SPCS	DIM A	POSITION	PART NO.
OBSOLETE	3	.900	9	.995	20	1-1825373-6
	5	.800	8	.895	18	1-1825373-5
	3	.700	7	.795	16	1-1825373-4
	3	.600	6	.695	14	1-1825373-3
	3	.300	3	.395	8	1-1825373-2
OBSOLETE	4	.200	2	.295	6	1-1825373-1
	4	.900	9	.995	20	1825373-6
OBSOLETE	4	.800	8	.895	18	1825373-5
	4	.700	7	.795	16	1825373-4
OBSOLETE	4	.600	6	.695	14	1825373-3
	4	.300	3	.395	8	1825373-2
OBSOLETE	4	.200	2	.295	6	1825373-1

THIS DRAWING IS A CONTROLLED DOCUMENT.

DIMENSIONS: INCHES	TOLERANCES UNLESS OTHERWISE SPECIFIED:	DIN R BROWN 29DEC2005	Tyco Electronics Corporation Harrisburg, Pa 17105-3608
0 PLC ± -	1 PLC ± -	CHK D ROHDE 29DEC2005	
2 PLC ± -	3 PLC ± -	APVD D ROHDE 29DEC2005	NAME
4 PLC ± -	ANGLES ± -		DIP SOCKET ASSY, CLOSED, DIPLOMATE, RETENTIVE LEAD, .300 CL, LEAD FREE
MATERIAL	FINISH	WEIGHT	SIZE CAGE CODE DRAWING NO
			A1 00779 C=1825373
CUSTOMER DRAWING		SCALE 5:1	SHEET 1 OF 1 REV A1