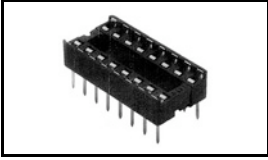


## 1825276-2 Product Details

[Share](#) [Print](#) [Email](#)




1825276-2

TE Internal Number: 1825276-2

 Active

[View 3D PDF](#)

### DIP Sockets

 Always EU RoHS/ELV Compliant  
(Statement of Compliance)

### Product Highlights:

- Socket Style = Standard
- Through Hole Contact Termination Type
- 2.54 mm Centerline
- Row-to-Row Spacing = 15.49 mm
- 32 Positions

[View all Features](#)

### Quick Links

- ▶ [Pricing & Availability](#)
- ▶ [Search for Tooling](#)
- ▶ [Product Feature Selector](#)
- ▶ [Contact Us About This Product](#)

[Add to My Part List](#)

[Request Sample](#)

[Find Similar Products](#)

[Buy Product](#)

### Documentation & Additional Information

#### Product Drawings:

- [SOCKET ASSY, DIP, OTC, HT DIPLOMATE \(PDF, English\)](#)

#### Catalog Pages/Data Sheets:

- None Available

#### Product Specifications:

- None Available

#### Application Specifications:

- [Surface-Mount DIPLOMATE Dual Leaf \(DL\) Dual In-Line ... \(PDF, English\)](#)
- [DIPLOMATE DL \(DUAL LEAF\) DIP SOCKET \(REFLOW COMPATIBLE\) \(PDF, English\)](#)

#### Instruction Sheets:

- None Available

#### CAD Files: (CAD Format & Compression Information)

- [2D Drawing \(DXF, Version A\)](#)
- [3D Model \(IGES, Version A\)](#)
- [3D Model \(STEP, Version A\)](#)

[List all Documents](#)

#### Additional Information:

- [Product Line Information](#)

#### Related Products:

- [Tooling](#)

### Product Features (Please use the Product Drawing for all design activity)

#### Product Type Features:

- [Socket Style](#) = Standard
- [Profile](#) = Over-The-Component
- [Frame Style](#) = Open
- [Leg Style](#) = Retention
- [Color](#) = Black

#### Electrical Characteristics:

- [Insulation Resistance \(MΩ\)](#) = 10,000
- [Contact Resistance \(mΩ\)](#) = 30

#### Termination Features:

- [Contact Termination Type](#) = Through Hole
- [Termination Post Length \(mm \[in\]\)](#) = 3.25 [0.128]
- [Solder Tail Contact Plating](#) = Tin

#### Housing Features:

- [Centerline \(mm \[in\]\)](#) = 2.54 [0.100]
- [Housing Material](#) = Thermoplastic - GF
- [UL Flammability Rating](#) = UL 94V-0

#### Configuration Features:

- [Number of Positions](#) = 32

#### Industry Standards:

- [RoHS/ELV Compliance](#) = RoHS compliant, ELV compliant
- [Lead Free Solder Processes](#) = Wave solder capable to 240°C, Wave solder capable to 260°C, Wave solder capable to 265°C
- [RoHS/ELV Compliance History](#) = Always was RoHS compliant

**Dimensions:**

- [Height Above PC Board \(mm \[in\]\)](#) = 5.33 [0.210]

**Body Features:**

- [Row-to-Row Spacing \(mm \[in\]\)](#) = 15.49 [0.610]
- [Mount Style](#) = Vertical

**Contact Features:**

- [Contact Base Material](#) = Phosphor Bronze
- [Contact Plating, Mating Area, Material](#) = Gold (15)
- [Contact Style](#) = Stamped + Formed
- [Mating Contact Type](#) = Dual Leaf

**Conditions for Usage:**

- [Temperature Range \(°C\)](#) = 125

**Operation/Application:**

- [Application](#) = Production

**Packaging Features:**

- [Packaging Method](#) = Tube

**Other:**

- [Brand](#) = TE Connectivity
- [Proprietary Name](#) = DIPLOMATE DL

**Corporate Information**

[About TE](#)  
[Investors](#)  
[News Room](#)  
[Supplier Portal](#)  
[Careers](#)  
[Terms & Conditions](#)  
[Privacy Policy](#)

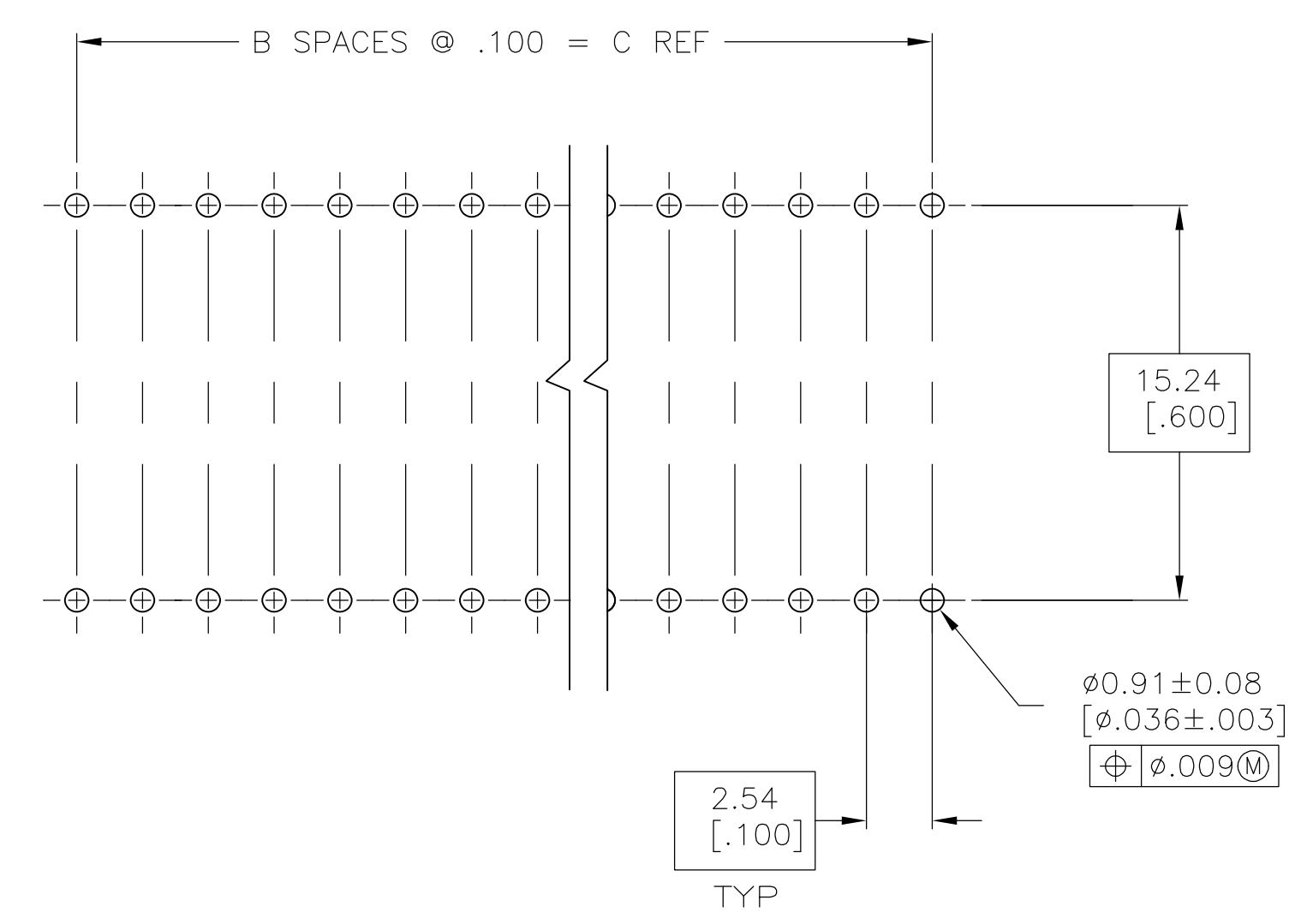
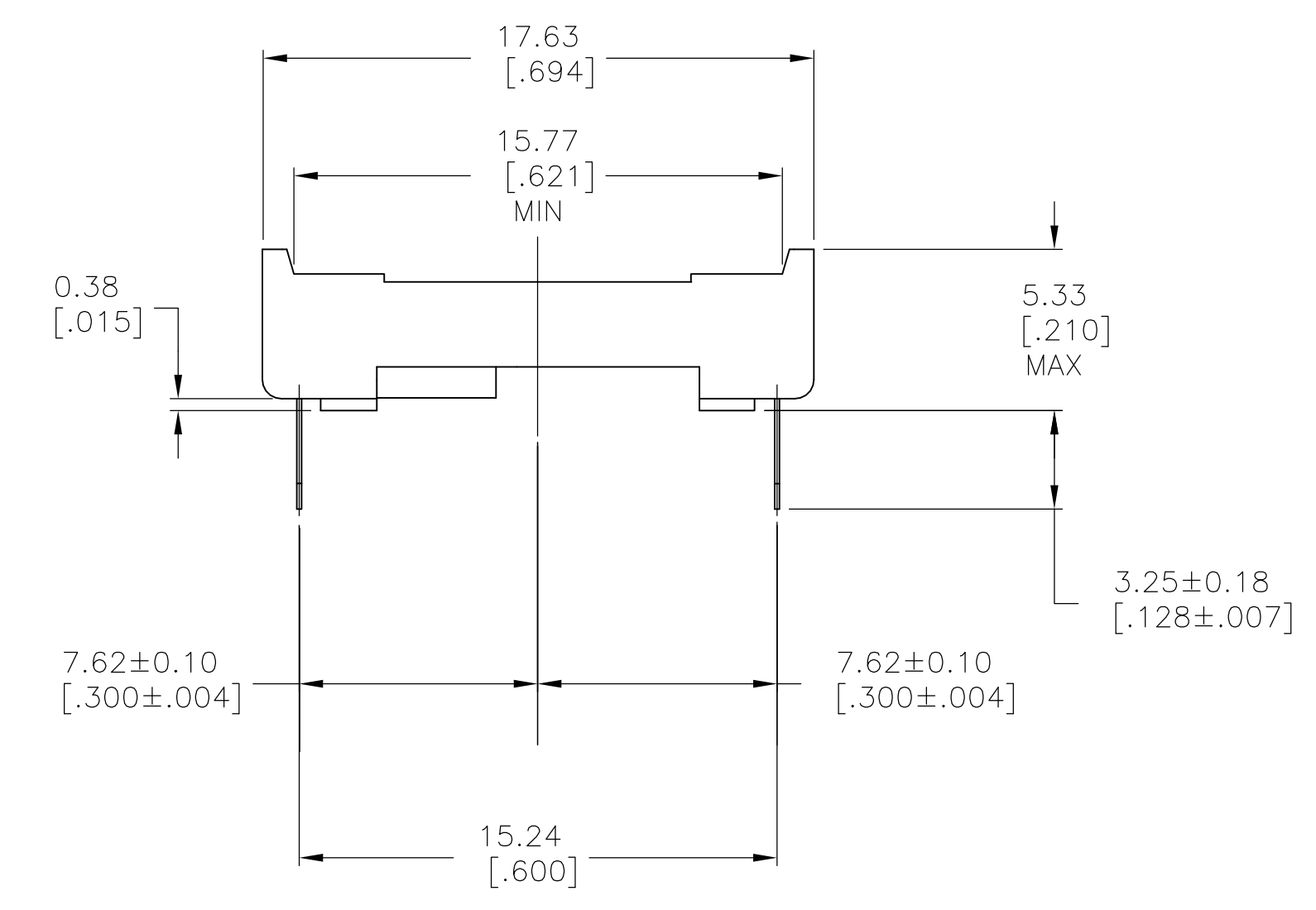
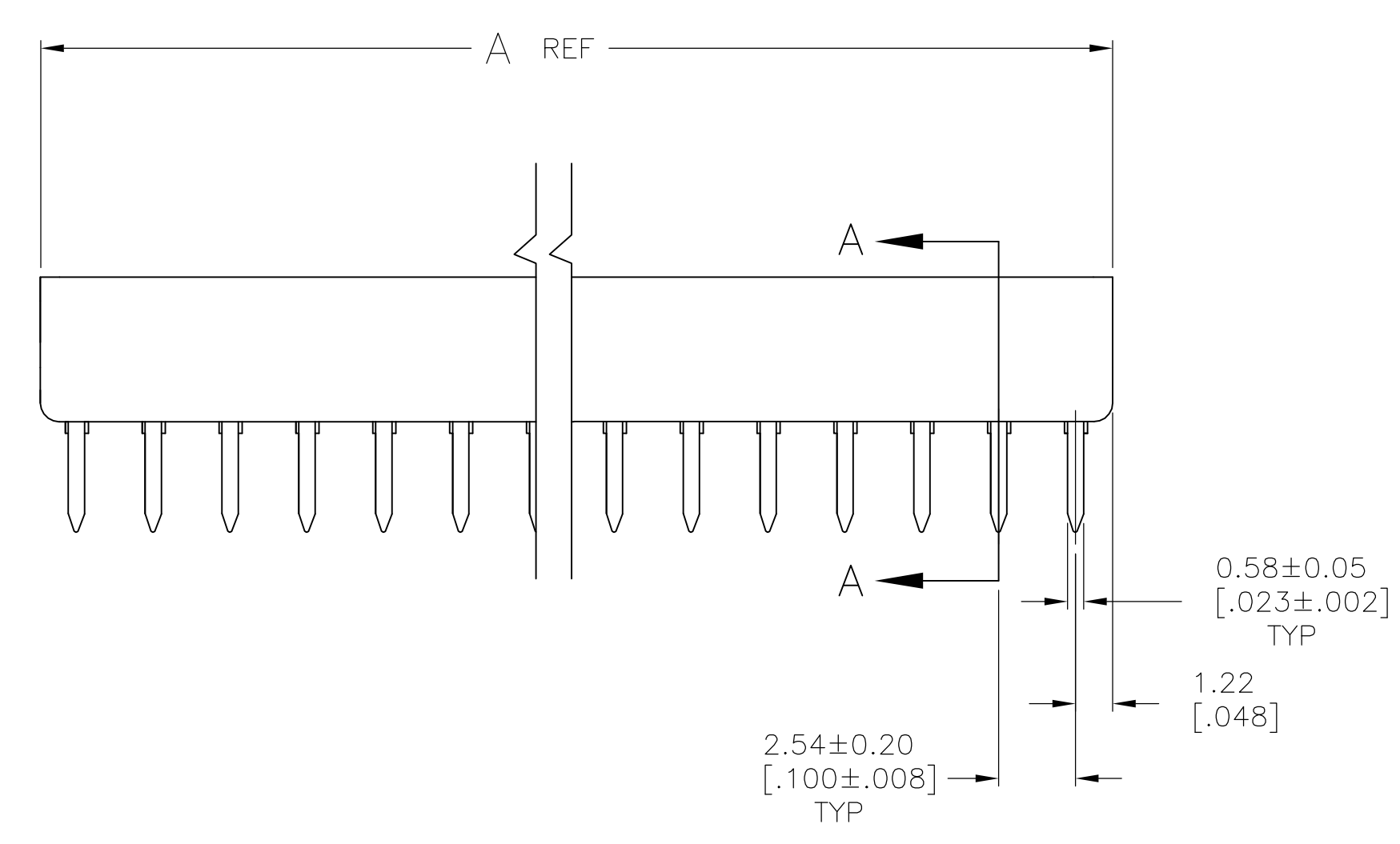
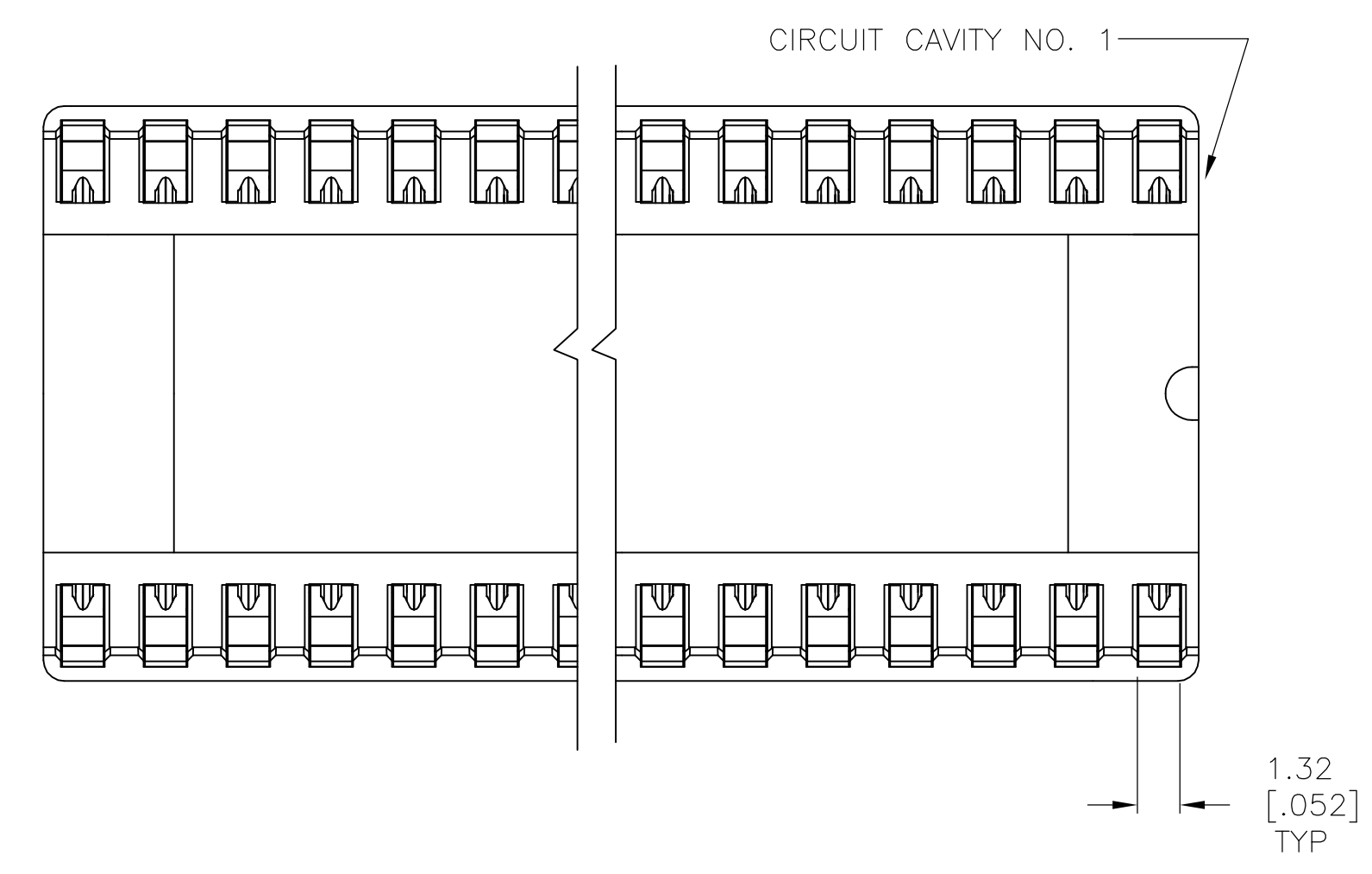
**Quick Links**

[Distributor Inventory](#)  
[Product Cross Reference](#)  
[Documents & Drawings](#)  
[Product Compliance Support Center](#)  
[Site Map](#)

**Customer Support**

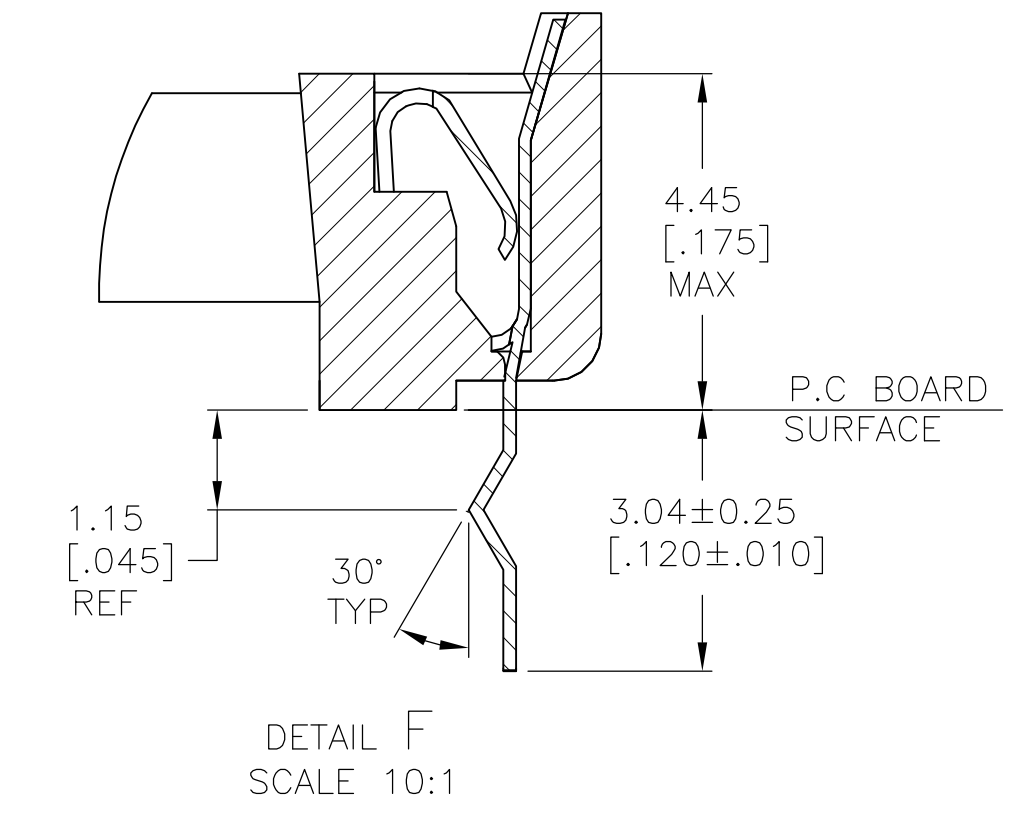
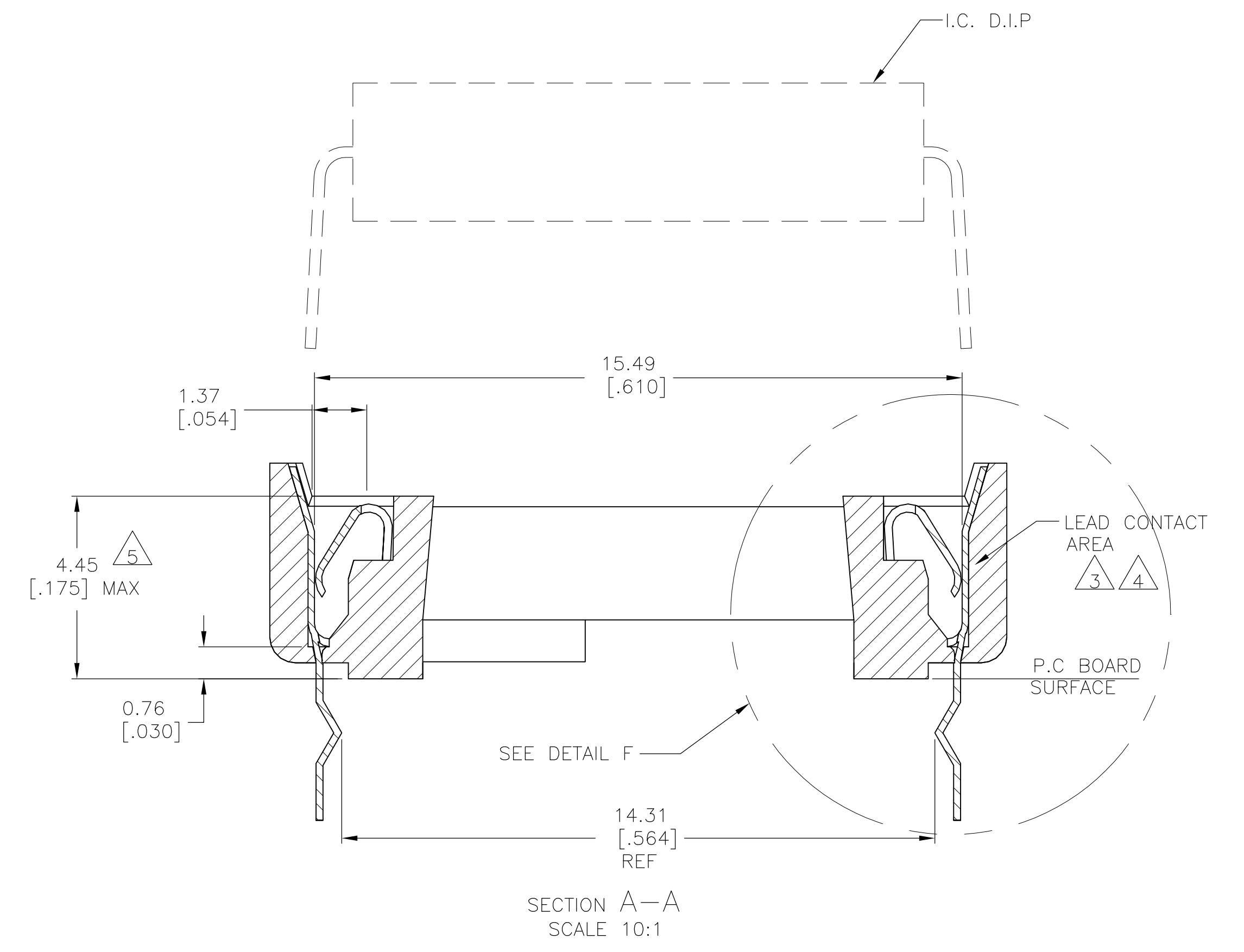
[Email or Chat With Us](#)  
[Find a Phone Number](#)  
[Knowledge Base](#)  
[Manage Your Account](#)

**Keep Me Informed**



RECOMMENDED MOUNTING HOLE PATTERN SCALE 4:1

- RECEPTACLE ACCEPTS A .008-.014 THICK I.C. LEAD.
- TUBE LOADED FOR AUTOMATIC INSERTION.
- BECCU CONTACT-PLATED WITH TWO .000030 MIN THK. GOLD STRIPES IN CONTACT AREA WITH TIN ON CONTACT LEGS, BALANCE OF CONTACT NICKEL PLATED.
- PHOS. BRONZE CONTACT- PLATED WITH TWO .000015 MIN THK. GOLD STRIPES IN CONTACT AREA WITH TIN ON CONTACT LEGS, BALANCE OF CONTACT NICKEL PLATED.
- MAXIMUM DIMENSION FOR I.C. SEATING PLANE.
- HOUSING MATERIAL-GLASS FILLED THERMOPLASTIC, BLACK, 94V-0



DETAIL F	FINISH	DIM C	B SPCS	DIM A	POS	PART NO.
DETAIL F	3	1.500	15	40.51 [1.595]	32	3-1825276-2
DETAIL F	4	1.500	15	40.51 [1.595]	32	2-1825276-2
	3	1.500	15	40.51 [1.595]	32	1-1825276-2
	3	1.300	13	35.43 [1.395]	28	1-1825276-1
	4	1.500	15	40.51 [1.595]	32	1825276-2
	4	1.300	13	35.43 [1.395]	28	1825276-1

THIS DRAWING IS A CONTROLLED DOCUMENT.

DIMENSIONS: mm [INCHES]

TOLERANCES UNLESS OTHERWISE SPECIFIED:

0 PLC	± -
1 PLC	± -
2 PLC	± -
3 PLC	± 0.13 [.005]
4 PLC	± -
ANGLES	± -

MATERIAL: SEE TABLE

FINISH: SEE TABLE

WEIGHT: -

CUSTOMER DRAWING

DIN R TALLEY 31OCT94

CHK R TALLEY 31OCT94

APP'D M HUDDLESTON 31OCT94

NAME: SOCKET ASSY. DIP, OTC, HT DIPLOMATE

PRODUCT SPEC: 108-1066

APPLICATION SPEC: 114-1052

SIZE: A1

CAGE CODE: 00779

DRAWING NO: 1825276

RESTRICTED TO: -

SCALE: 5:1

SHEET: 1 OF 1

REV: A1