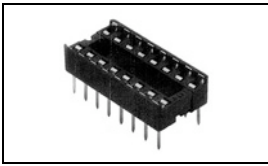


2-644018-2 Product Details

[Share](#) [Print](#) [Email](#)



2-644018-2

TE Internal Number: 2-644018-2

Pending Obsolescence

[Search for Replacement Parts](#)

DIP Sockets

5 of 6 EU RoHS/ELV Compliant ([Find RoHS Compliant Alternates/Statement of Compliance](#))

Product Highlights:

- Socket Style = Standard
- Through Hole Contact Termination Type
- 2.54 mm Centerline
- Row-to-Row Spacing = 15.49 mm
- 32 Positions

[View all Features](#)

Quick Links

- [Pricing & Availability](#)
- [Search for Tooling](#)
- [Product Feature Selector](#)
- [Contact Us About This Product](#)

[Add to My Part List](#)

[Request Sample](#)

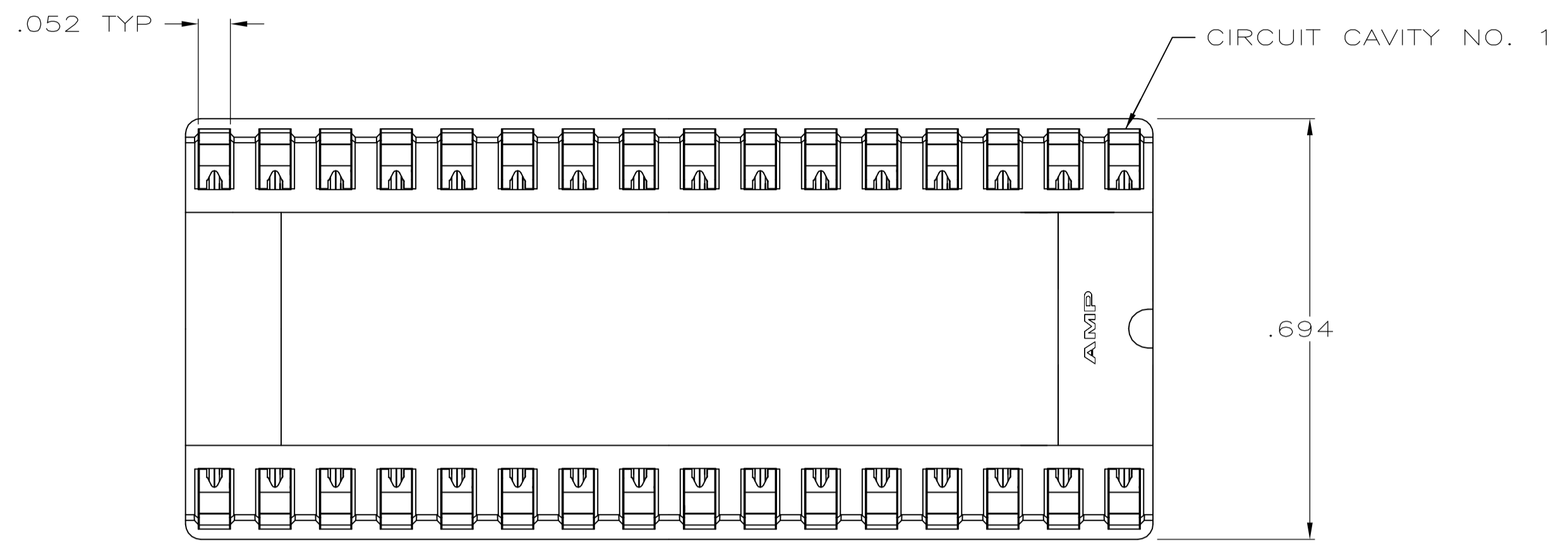
[Find Similar Products](#)

[Buy Product](#)

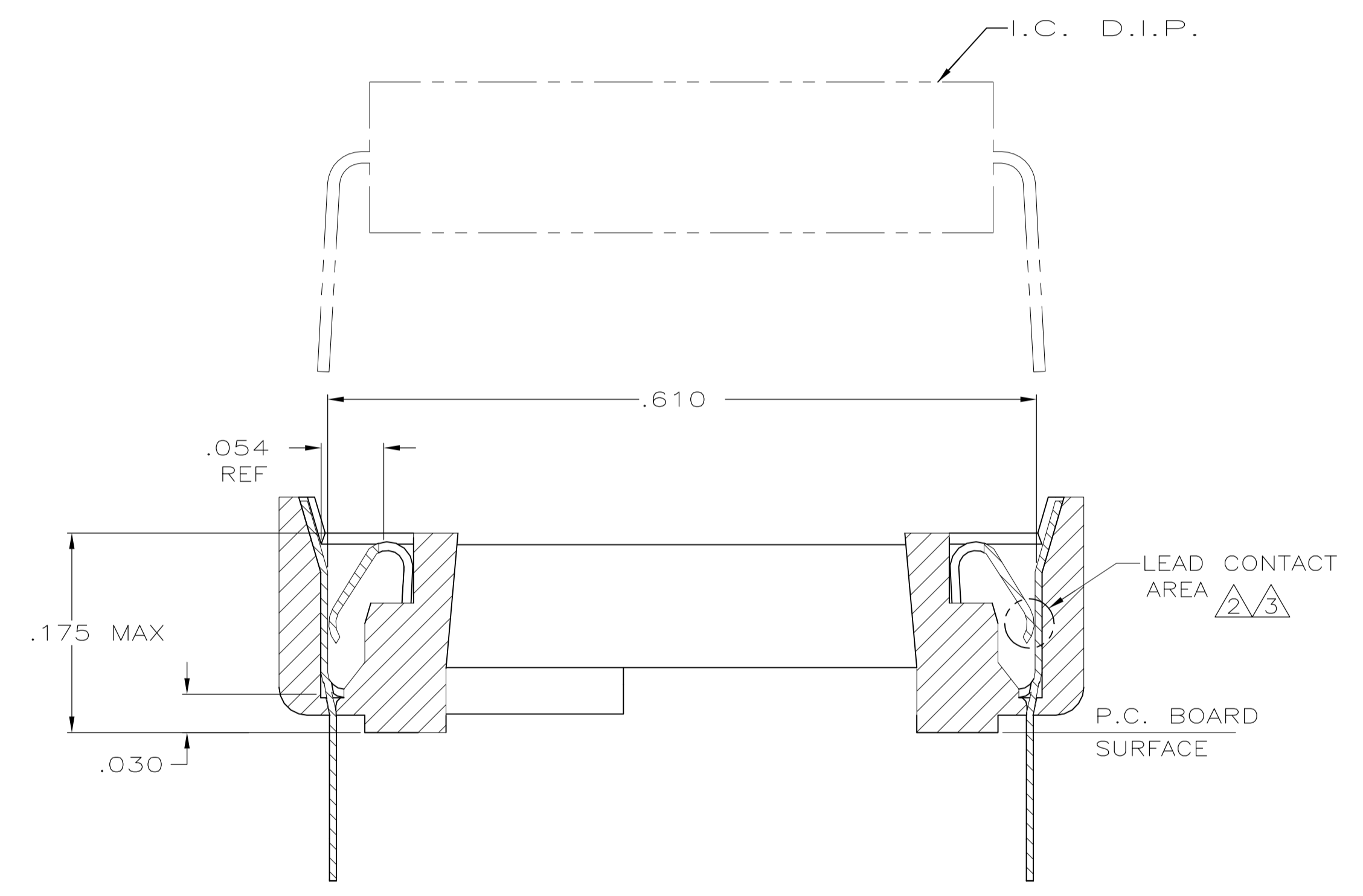
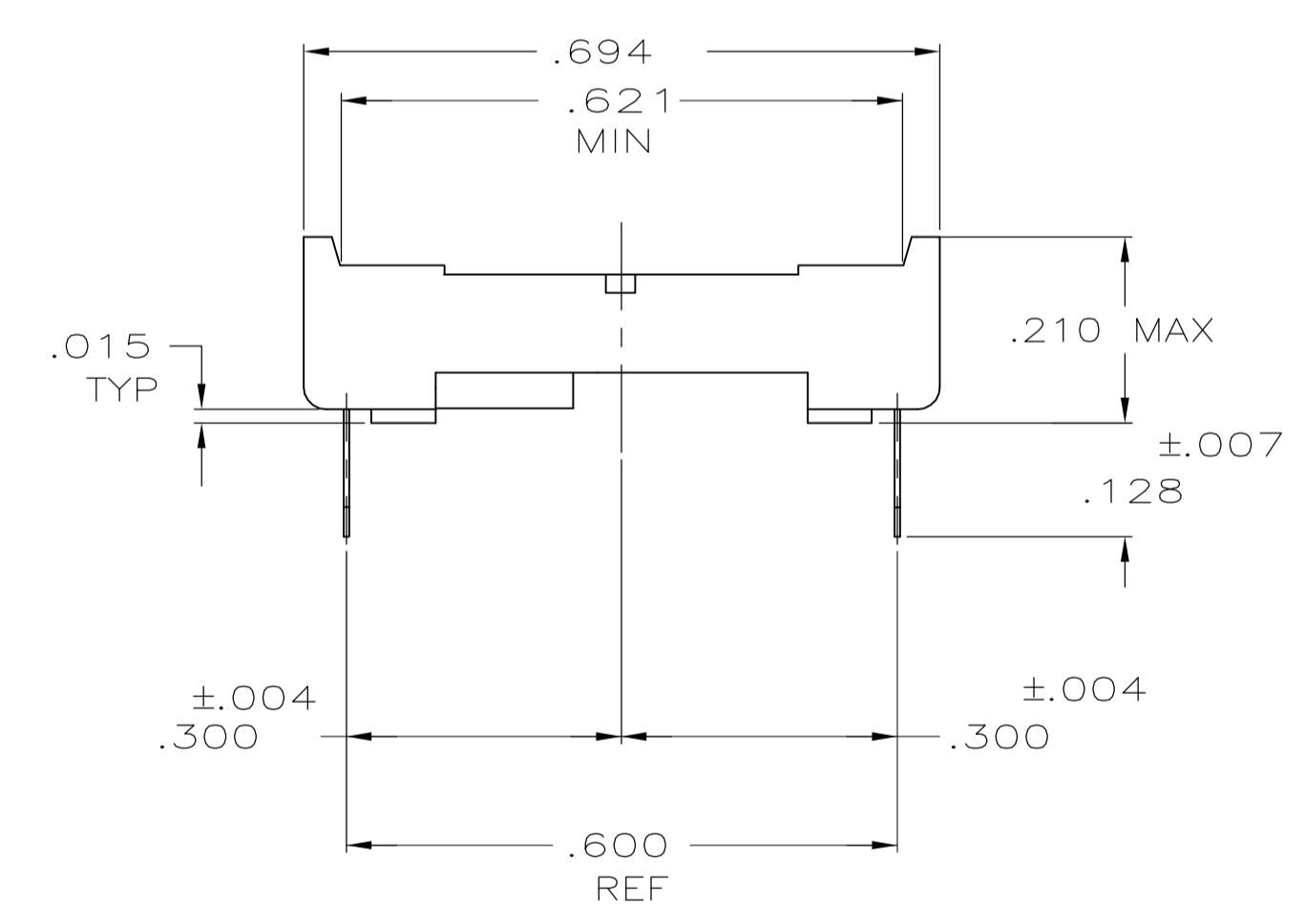
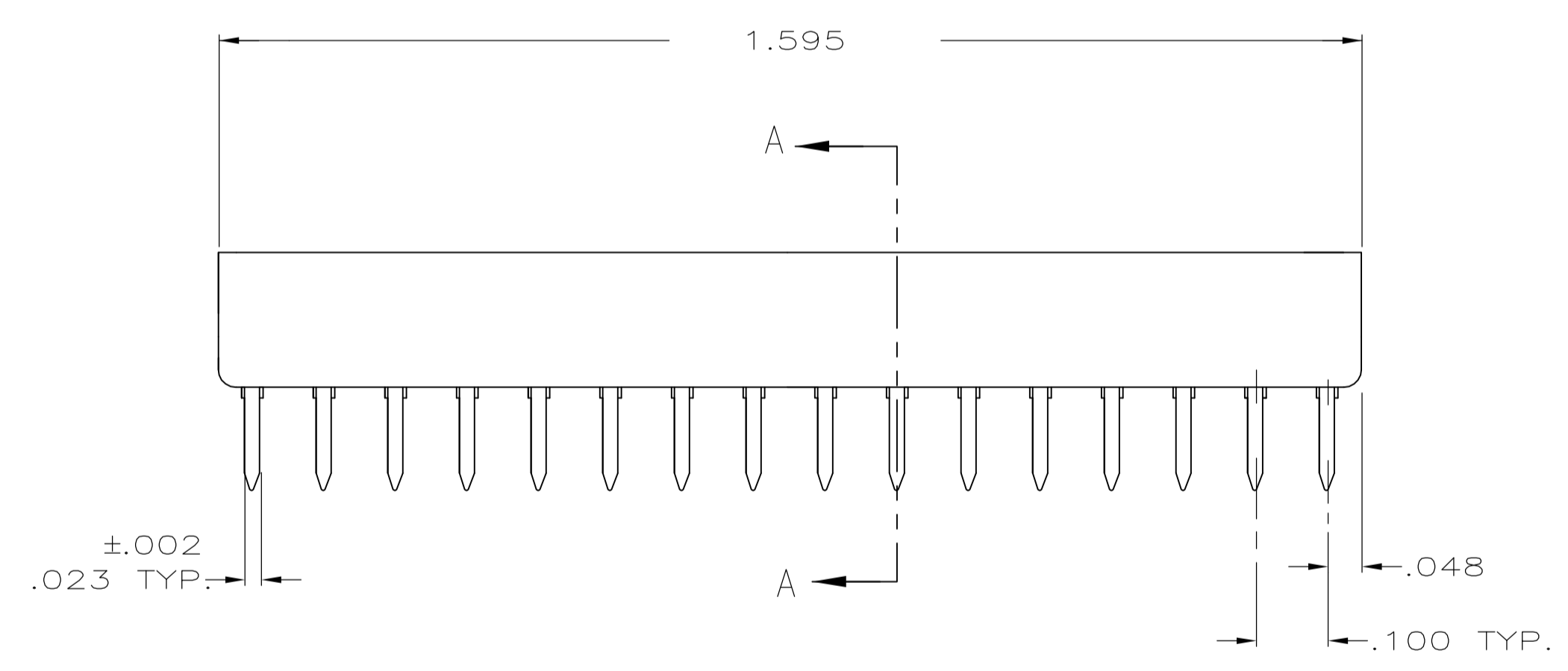
Documentation & Additional Information	
<p>Product Drawings:</p> <ul style="list-style-type: none"> • SOCKET ASSY, DIP, OTC, 32 POS, DIPLOMATE DL (PDF, English) <p>Catalog Pages/Data Sheets:</p> <ul style="list-style-type: none"> • None Available <p>Product Specifications:</p> <ul style="list-style-type: none"> • None Available <p>Application Specifications:</p> <ul style="list-style-type: none"> • DIPLOMATE DL (DUAL LEAF) DIP SOCKET (REFLOW COMPATIBLE) (PDF, English) <p>Instruction Sheets:</p> <ul style="list-style-type: none"> • None Available <p>CAD Files:</p> <ul style="list-style-type: none"> • None Available 	<p>Additional Information:</p> <ul style="list-style-type: none"> • Product Line Information <p>Related Products:</p> <ul style="list-style-type: none"> • Tooling

[List all Documents](#)

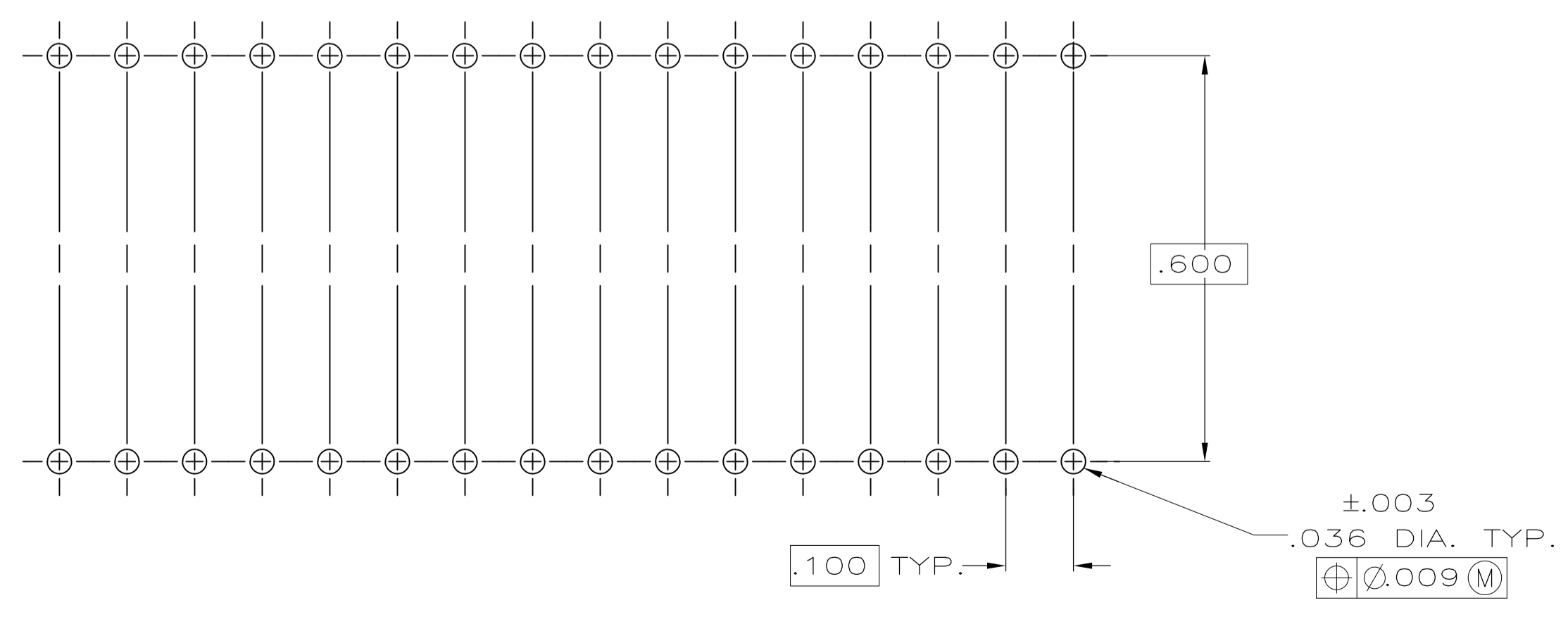
Product Features (Please use the Product Drawing for all design activity)	
<p>Product Type Features:</p> <ul style="list-style-type: none"> • Profile = Over-The-Component • Frame Style = Open • Leg Style = Straight • Color = Black • Qty. Tubes/Box = 100 • Product Series = Standard <p>Electrical Characteristics:</p> <ul style="list-style-type: none"> • Insulation Resistance (MΩ) = 10,000 • Contact Resistance (mΩ) = 30 <p>Termination Features:</p> <ul style="list-style-type: none"> • Contact Termination Type = Through Hole • Termination Post Length (mm [in]) = 3.25 [0.128] <p>Dimensions:</p> <ul style="list-style-type: none"> • Height Above PC Board (mm [in]) = 5.33 [0.210] <p>Body Features:</p> <ul style="list-style-type: none"> • Row-to-Row Spacing (mm [in]) = 15.49 [0.610] • Mount Style = Vertical <p>Contact Features:</p> <ul style="list-style-type: none"> • Socket Style = Standard • Contact Base Material = Beryllium Copper • Contact Plating, Mating Area, Material = Gold (30) • Contact Style = Stamped + Formed • Mating Contact Type = Dual Leaf • Solder Tail Contact Plating = Tin-Lead 	<p>Housing Features:</p> <ul style="list-style-type: none"> • Centerline (mm [in]) = 2.54 [0.100] • Housing Material = Thermoplastic - GF • UL Flammability Rating = UL 94V-0 <p>Configuration Features:</p> <ul style="list-style-type: none"> • Number of Positions = 32 <p>Industry Standards:</p> <ul style="list-style-type: none"> • RoHS/ELV Compliance = ELV compliant, 5 of 6 Compliant • Lead Free Solder Processes = Wave solder capable to 240°C <p>Conditions for Usage:</p> <ul style="list-style-type: none"> • Temperature Range (°C) = 125 <p>Operation/Application:</p> <ul style="list-style-type: none"> • Application = Production <p>Packaging Features:</p> <ul style="list-style-type: none"> • Packaging Method = Tube • Qty./Tube = 13 <p>Other:</p> <ul style="list-style-type: none"> • Brand = AMP • Proprietary Name = DIPLOMATE DL • Comment = Recommended IC Leg Length: 1) 2.54 [.100] min. for a reliable contact surface. 2) 3.05 [.120] max. to allow IC body to seat on socket. 3) Longer legs may be used, but IC cannot be fully seated on seating plane.



- RECEPTACLE ACCEPTS AN .008-.014 THK. I.C. LEAD.
 - TWO .000030 MIN.THK.GOLD STRIPES IN CONTACT AREA, TIN-LEAD(93-7) ON CONTACT LEGS, BALANCE OF CONTACT NICKEL PLATED.
 - TWO .000015 MIN.THK.GOLD STRIPES IN CONTACT AREA, TIN-LEAD(93-7) ON CONTACT LEGS, BALANCE OF CONTACT NICKEL PLATED.
 - TUBE LOADED FOR AUTOMATIC INSERTION
- SPECIAL PACKAGING.
 - SEE RESTRICTED CUSTOMER DRAWING 4-644018-3.



SECTION A-A
SCALE 10:1



RECOMMENDED MOUNTING HOLE PATTERN

SUPSD BY 390262-3	TINNED	PHOS.BRZ.	GLASS-FILLED THERMOPLASTIC, 94V-0, BLACK	5-644018-3
OBSOLETE	-	-	-	OBSOLETE
OBSOLETE	TINNED	PHOS.BRZ. .006 THK	GLASS-FILLED THERMOPLASTIC, 94V-0, BLACK	2-644018-5
		PHOS.BRZ.	GLASS-FILLED THERMOPLASTIC, 94V-0, BLACK	2-644018-4
SUPSD BY 390263-2	TINNED	PHOS.BRZ.	GLASS-FILLED THERMOPLASTIC, 94V-0, BLACK	2-644018-3
		BE.CU.	GLASS-FILLED THERMOPLASTIC, 94V-0, BLACK	2-644018-2
SUPSD BY 390263-2	TINNED	BE.CU.	GLASS-FILLED THERMOPLASTIC, 94V-0, BLACK	2-644018-1
	CONTACT FINISH	CONTACT MAT'L	HOUSING MATERIAL	PART NO.

THIS DRAWING IS A CONTROLLED DOCUMENT.

DIMENSIONS: INCHES	TOLERANCES UNLESS OTHERWISE SPECIFIED:	DIN M. CYRUS 14 MAY 97	TE Connectivity
0 PLC ± -	1 PLC ± -	CHK R. MILLER	NAME
2 PLC ± -	3 PLC ± .005	APVD J. GRAY	SOCKET ASSY, DIP, OTC, 32 POS, DIPLOMATE DL
4 PLC ± -	ANGLES ± -	PRODUCT SPEC 108-1066	SIZE CAGE CODE DRAWING NO
MATERIAL SEE TABLE	FINISH SEE TABLE	APPLICATION SPEC 114-1049	RESTRICTED TO
		WEIGHT	A1 00779 644018
		CUSTOMER DRAWING	SCALE 5:1 SHEET 1 OF 1 REV V1